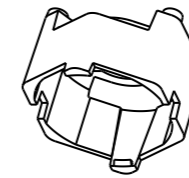
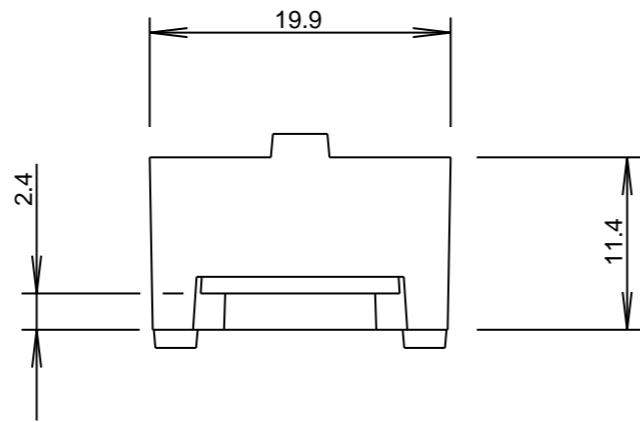
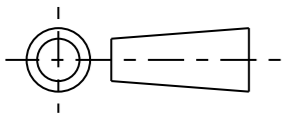
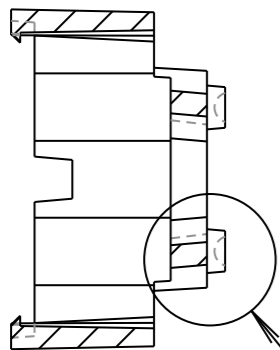
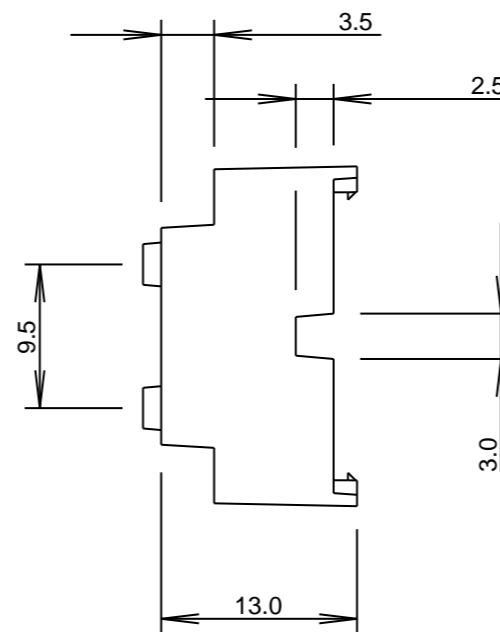
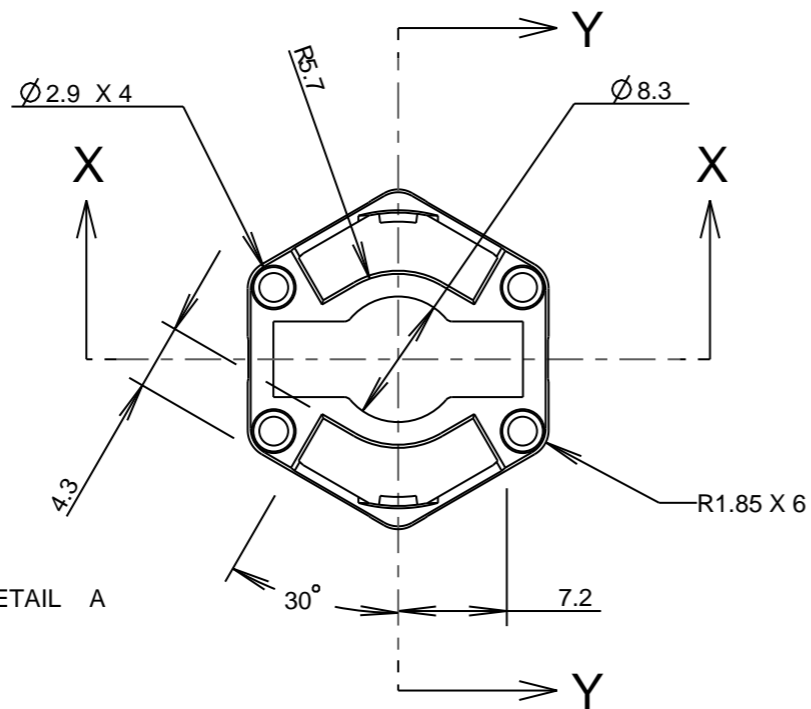


# CUSTOMER DRAWING

©2007 CARCLO  
ALL DIMENSIONS IN mm

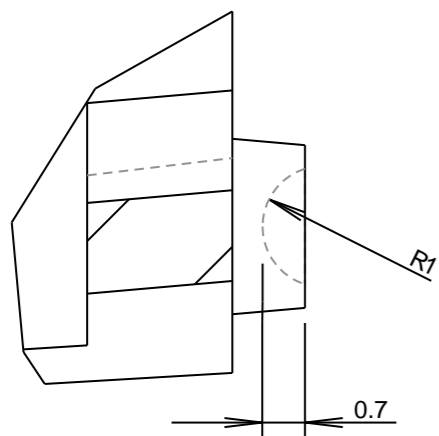


3D VIEW  
SCALE 1:1

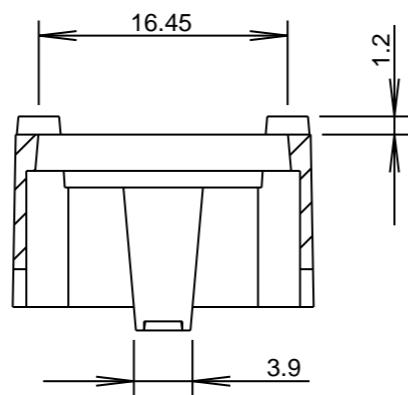


SECTION Y-Y

SEE DETAIL A



DETAIL A  
SCALE 8:1



SECTION X-X

PART No.	DESCRIPTION
10043	BLACK 3/5W HOLDER
10045	CLEAR 3/5W HOLDER
10044	WHITE 3/5W HOLDER

ISS.	DATE	E.C.N.	DESCRIPTION
1	24-Nov-03		FIRST ISSUE
2	16-Jan-05		PART No'S CORRECTED



CARCLO TECHNICAL PLASTICS (SLOUGH) LTD.  
111 BUCKINGHAM AVE, SLOUGH  
SL1 4PF, ENGLAND  
TEL: +44 1753 575011 FAX: +44 1753 811359  
email: design@coil.co.uk

GENERAL TOLERANCES (UNLESS STATED)

LINEAR	ANGULAR
X +/- 0.25	X +/- 1°
X.X +/- 0.1	X.X +/- 0.5°
X.XX +/- 0.05	X.XX +/- 0.1°

CUSTOMER

TITLE

HEXAGONAL OPTIC HOLDER 3/5 WATT

DRAWN **AJD** DATE **24-Nov-03**

CHK'D DATE

APP'D DATE

SCALE **2:1** COIL PART No. **SEE TABLE**

SIZE **A3** COIL DRG. No. **60366** SHEET **1 OF 1**