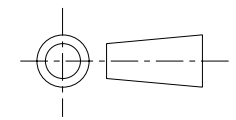
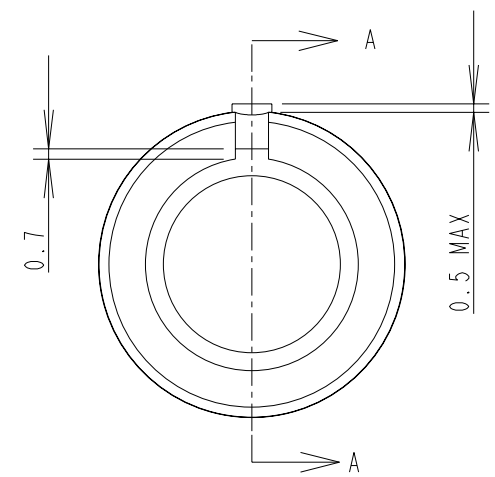
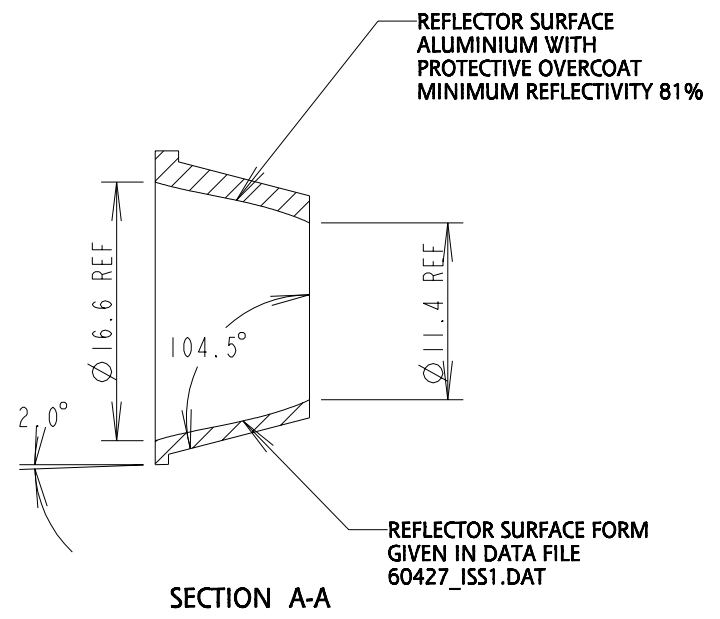
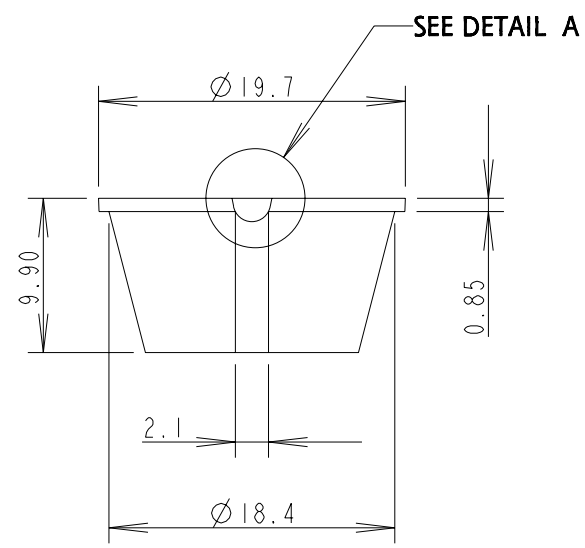
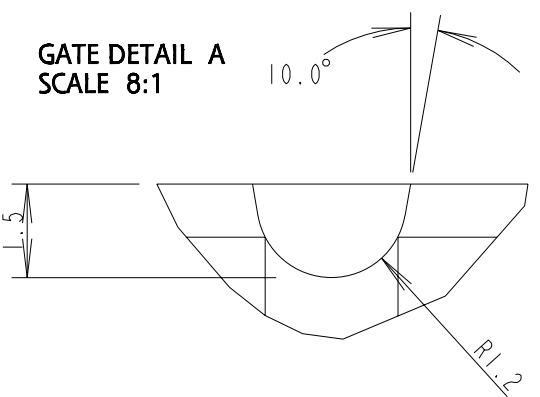


ISS.	DATE	E.C.N.	DESCRIPTION
1	21-Jun-06		FIRST ISSUE

© 2006 CARCLO
ALL DIMENSIONS IN mm



CARCLO TECHNICAL PLASTICS (SLOUGH)
111 BUCKINGHAM AVE, SLOUGH
SL1 4PF, ENGLAND
TEL: +44 1753 575011 FAX: +44 1753 811359
e-mail: design@carclo-optics.com}



GENERAL TOLERANCES (UNLESS STATED)

LINEAR	ANGULAR
X +/- 0.25	X +/- 1°
X.X +/- 0.1	X.X +/- 0.5°
X.XX +/- 0.05	X.XX +/- 0.1°

CUSTOMER
CARCLO

TITLE
80° FWHM Ø 20MM REFLECTOR OPTIC

DRAWN **AJD** DATE **21-Jun-06**

CHK'D _____ DATE _____

APP'D _____ DATE _____

SCALE 2:1	CARCLO PART No. 10170
---------------------	---------------------------------

SIZE A4	CARCLO DRG. No. 60426	SHEET 1 OF 2
-------------------	---------------------------------	------------------------