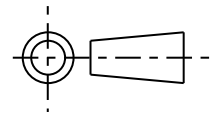


ISS.	DATE	E.C.N.	DESCRIPTION
3	15-Jan-07	1/07/1198	SCALLOP SIZE INCREASED

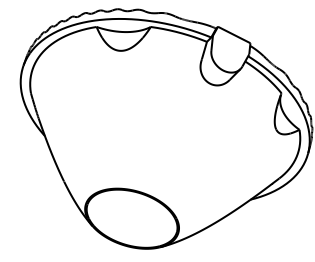
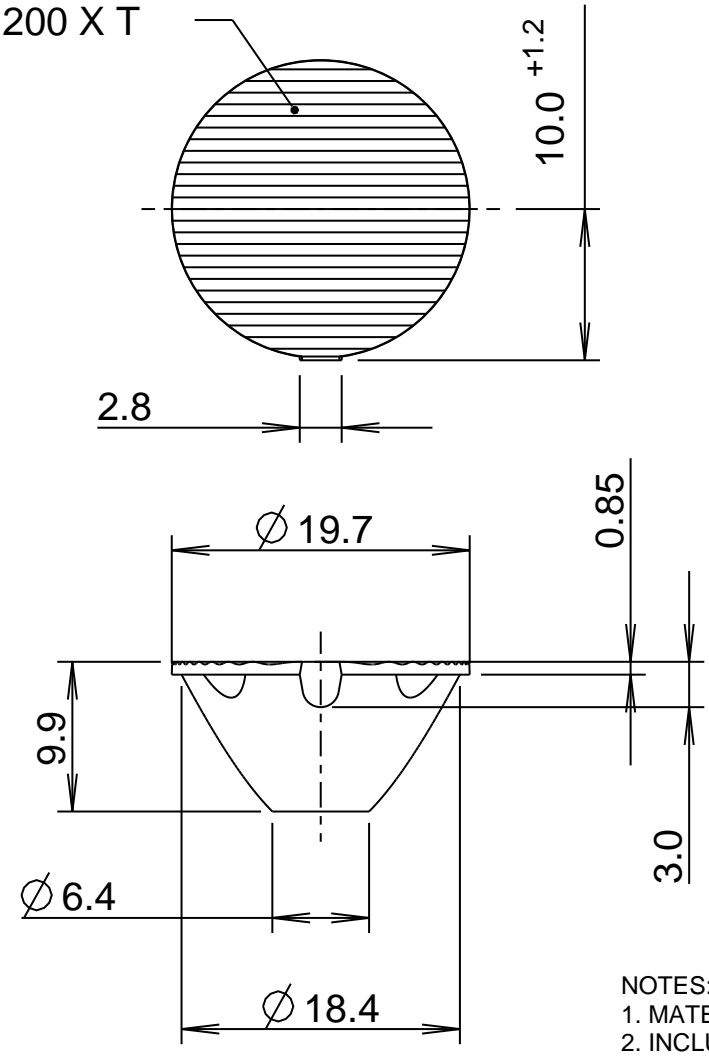
© 2007 CARCLO  
ALL DIMENSIONS IN mm



CARCLO TECHNICAL PLASTICS (SLOUGH)  
111 BUCKINGHAM AVE, SLOUGH  
SL1 4PF, ENGLAND  
TEL: +44 1753 575011 FAX: +44 1753 811359  
e-mail: design@carclo-optics.com}

**CUSTOMER DRAWING**

1/1 X 200 X T



3D VIEW

GENERAL TOLERANCES (UNLESS STATED)

LINEAR	ANGULAR
X +/- 0.25	X +/- 1°
X.X +/- 0.1	X.X +/- 0.5°
X.XX +/- 0.05	X.XX +/- 0.1°

CUSTOMER

CARCLO

TITLE

LED Optic 25 Deg Linear

DRAWN

AJD

DATE

28-Jul-06

CHK'D

DATE

APP'D

DATE

SCALE

2:1

CARCLO PART No.

10003/L25

SIZE

A4

CARCLO DRG. No.

60348

SHEET

1 OF 1

NOTES:-

- MATERIAL: UV STABILISED POLYCARBONATE
- INCLUSIONS SPECIFIED TO BS4301