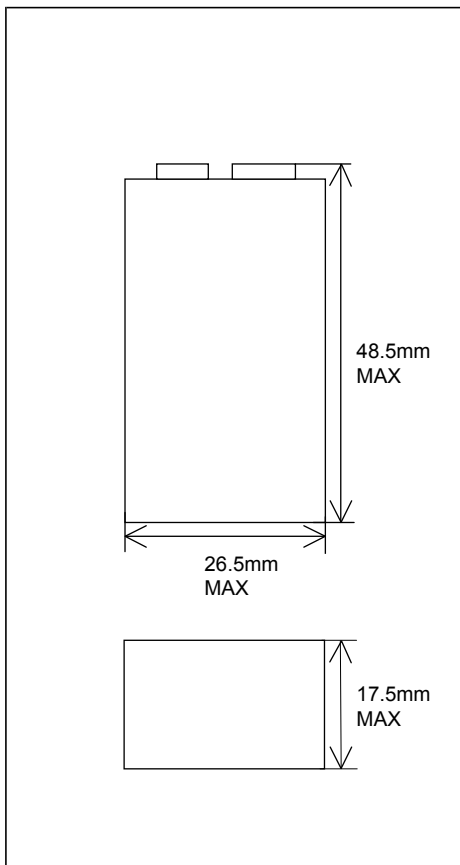




Empowering Your Digital Life.

MH-96V230

Specifications

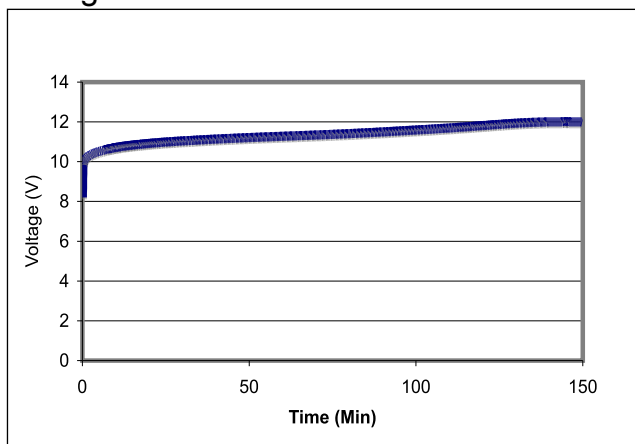


Type : Nickel-Metal Hydride Battery		Size : 9V Block Type
Capacity ¹⁾	Typical	230mAh
	Minimum	215mAh
Nominal Voltage		9.6V
Charging Current x Time	Fast Charge ²⁾	115mA × 132min
Ambient Temp.	Charge Condition	Fast Charge ²⁾
	Discharge Condition	0°C - 40°C
	Storage Condition	-20°C - 60°C
Storage Condition	Less than 30days	-20°C - 50°C
	Less than 90days	-20°C - 40°C
	Less than 1year	-20°C - 30°C
Maximum Discharge Current		460mA
Internal Impedance ³⁾ (after discharge to E.V.=8.0V)		Approx. 500mΩ (at 1000Hz)
Weight ⁴⁾		Approx.55g

- 1)Single cell capacity under the following condition.
Charge : 23mA ×16h, Discharge : 46mA(E.V.=8.0V) at 20°C
- 2)Use recommended charging system.
- 3)After a few charge and discharge cycles under the above 1) condition.

Typical Characteristics

Charge



Discharge

