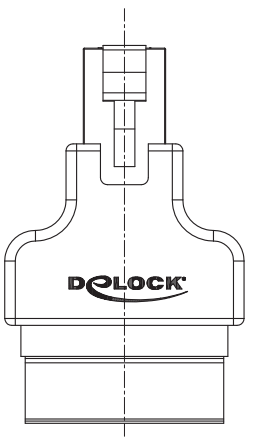
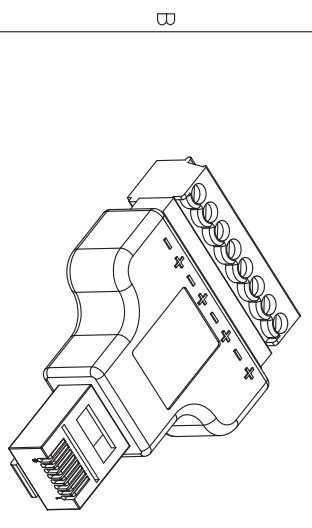
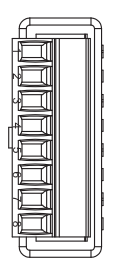
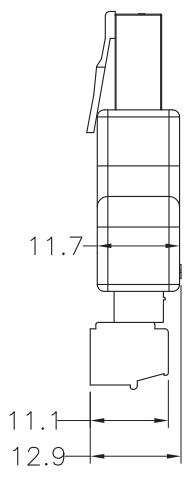
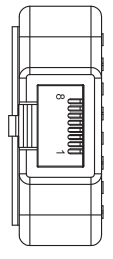
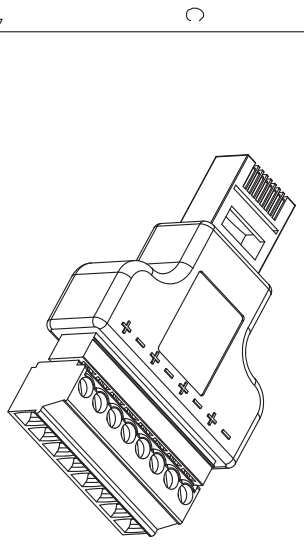
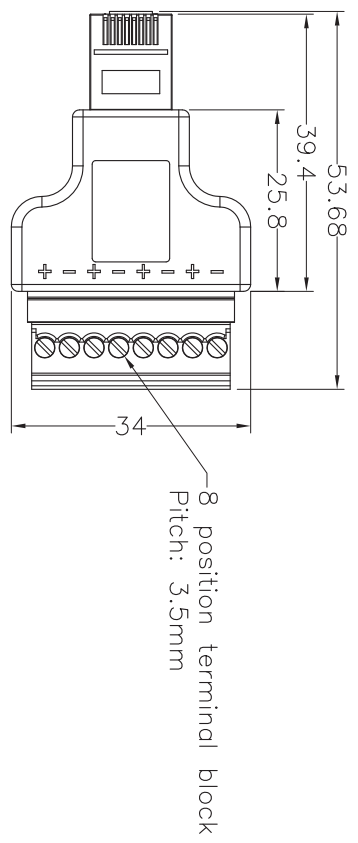


Wire Map	
R45 mde	terminal block
1	1
2	2
3	3
4	4
5	5
6	6
7	7
8	8

REVISIONS		
REV	DESCRIPTION	DATE
		12/23/2010
		Steven



Partname:
Adapter Terminalblock->RJ45 Male

Electrical Character:

- 1> 100% open&short testing
- 2> With understanding voltage:DC 300 V 0.01 Sec.
- 3> Insulation Resistance: 10M Ohm (Min)
- 4> Conductive Resistance: 2 Ohm(Max)

Electrical Character:

- 1> Over Mold: PVC 45 Pa Black color

UNLESS OTHERWISE SPECIFIED, DIMENSIONS ARE IN INCHES[mm]		DRAWN BY Mdy	DATE 09/14/2012
DIMENSIONAL TOLERANCES: X = ±.1 .XX = ±.05 .XXX = ±.005		CHECKED BY Gang	09/14/2012
ANGULAR TOLERANCES: ALL = ± 1°		APPROVED BY Steven	09/14/2012
PROJECTION		CONFIGURATION DETAILS OF UNDIMENSIONED FEATURES MAY VARY	
COLOR VARIATIONS MAY OCCUR			

DeLOCK
we move the world

Item no. **65389**

Barcode: 4043619653898

File: 88066