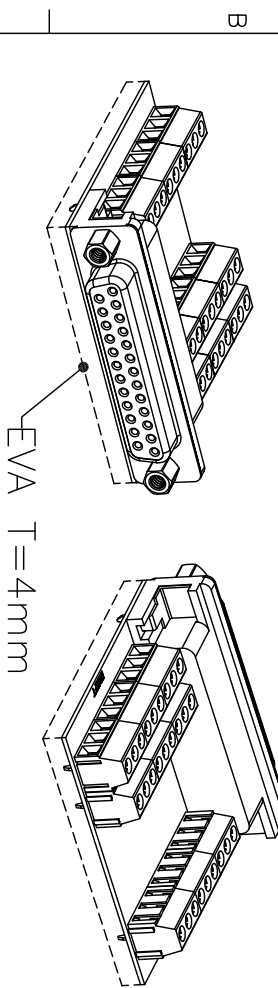
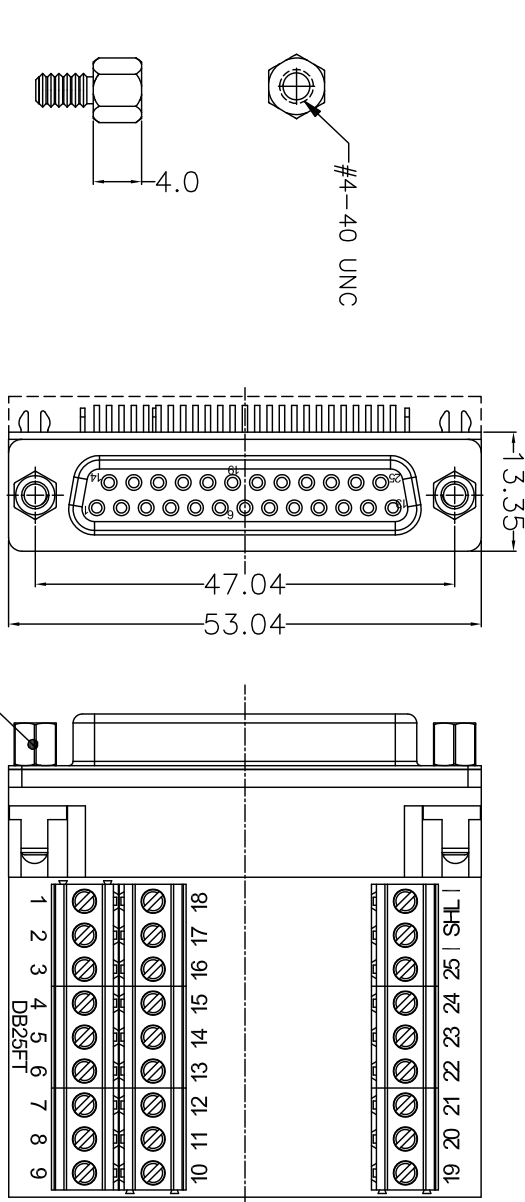


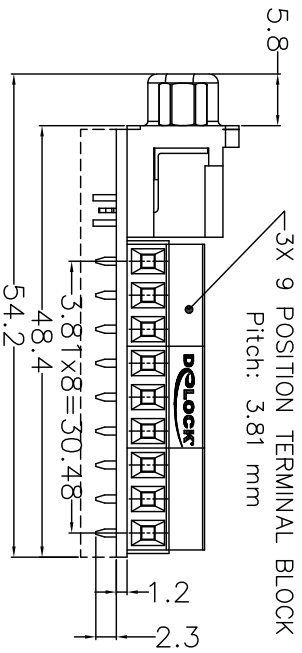
REV	DESCRIPTION	DATE	APPROVED
A	INITIAL RELEASE	7/11/11	Liu Jian Ping

DB25 PIN #	TERMINAL PIN #
1	1
2	2
3	3
4	4
5	5
6	6
.....
.....
.....
.....
.....
.....
20	20
21	21
22	22
23	23
24	24
25	25
SHELL	SHL



Part name:
Adapter terminal block > Sub-D 25 pin female

- Electrical Character:
- 1> 100% open&short testing
 - 2> With understanding voltage:DC 500 V 0.01 Sec.
 - 3> Insulation Resistance: 50M Ohm (Min)
 - 4> Conductive Resistance: 2 Ohm(Max)



UNLESS OTHERWISE SPECIFIED, DIMENSIONS ARE IN mm		APPROVALS		DATE	
DIMENSIONAL TOLERANCES:		DRAWN BY	May	7/11/2011	
X = ±0.3		CHECKED BY	Gang	7/11/2011	
.XXX = ±0.1		APPROVED BY	Steven	7/12/2010	
ANGULAR TOLERANCES: ALL = ± 1°		CONFIGURATION DETAILS OF UNDIMENSIONED FEATURES MAY VARY		Item no. 65317	
PROJECTION		COLOR VARIATIONS MAY OCCUR		Barcode: 4043619653171	
				File: 88072	