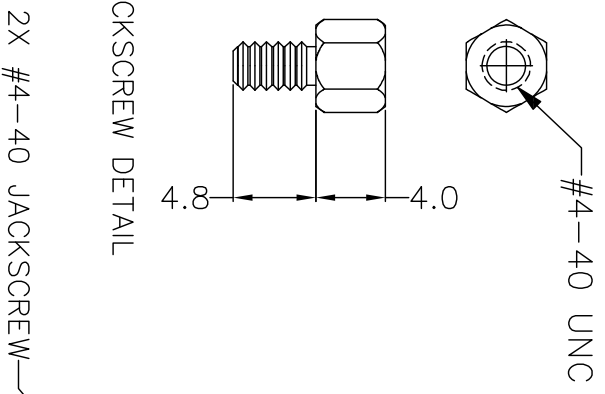


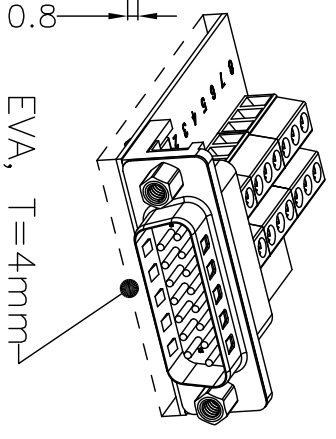
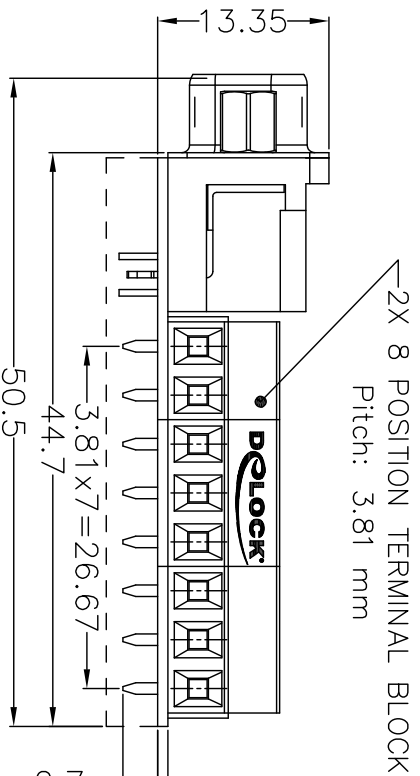
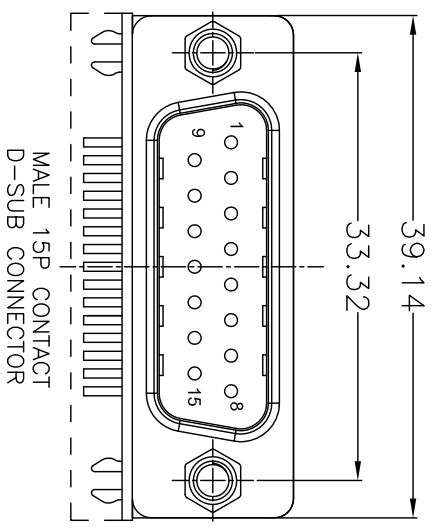
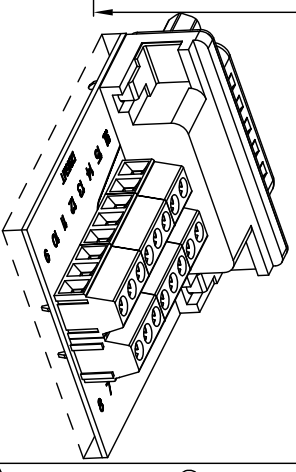
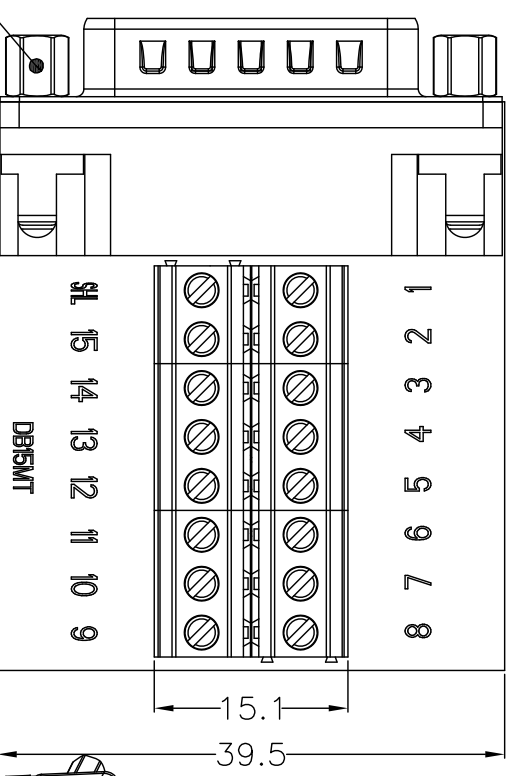
REV		DESCRIPTION	DATE	APPROVED
A	INITIAL RELEASE		10/12/09	Lu Jian Ping

WIRING TABLE	
DB15 TERMINAL PIN #	BLOCK #
1	1
2	2
3	3
4	4
5	5
6	6
7	7
8	8
9	9
10	10
11	11
12	12
13	13
14	14
15	15
SHELL	SHL



JACKSCREW DETAIL

2X #4-40 JACKSCREW



Pat name:
Adapter terminal block > Sub-D 15 pin male

Electrical Character:

- 1> 100% open&short testing
- 2> With understanding voltage:DC 500 V 0.01 Sec.
- 3> Insulation Resistance: 100M Ohm (Min)
- 4> Conductive Resistance: 2 Ohm(Max)

UNLESS OTHERWISE SPECIFIED, DIMENSIONS ARE IN mm	APPROVALS	DATE
DIMENSIONAL TOLERANCES: X = ±0.3 XX = ±0.2 .XXX = ±0.1	DRAWN BY Moy	2/23/2011
ANGULAR TOLERANCES: ALL = ± 1°	CHECKED BY Gang	14/24/2011
CONFIGURATION DETAILS OF UNDIMENSIONED FEATURES MAY VARY	APPROVED BY Steven	12/27/2010
PROJECTION	COLOR VARIATIONS MAY OCCUR	

DELCK
We move the world

Item no. 65275
Barcode: 4043619652754
File: 88072