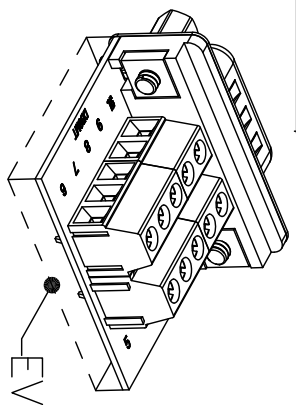
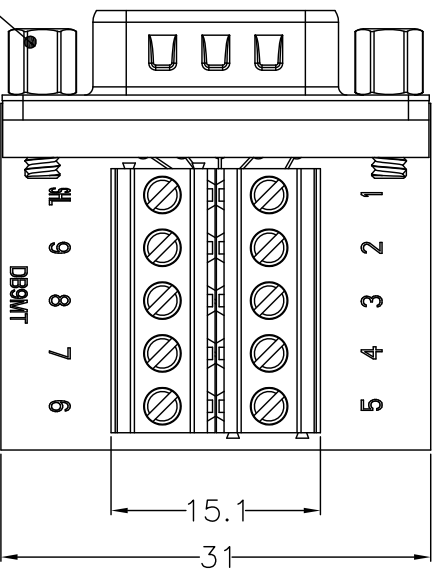
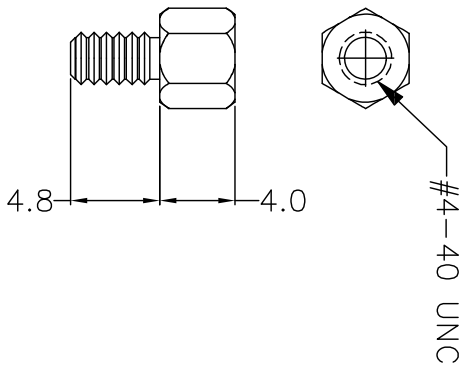


| WIRING TABLE | |
|--------------|------------------|
| DB9 PIN # | TERMINAL BLOCK # |
| 1 | 1 |
| 2 | 2 |
| 3 | 3 |
| 4 | 4 |
| 5 | 5 |
| 6 | 6 |
| 7 | 7 |
| 8 | 8 |
| 9 | 9 |
| SHELL | SHL |

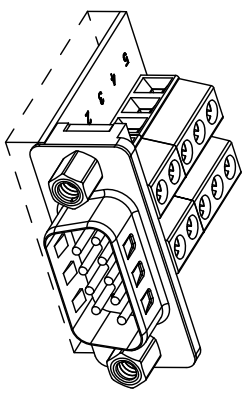
| REVISIONS | | DATE | APPROVED |
|-----------|-----------------|----------|--------------|
| REV | DESCRIPTION | 10/12/09 | Lu Jian Ping |
| A | INITIAL RELEASE | | |



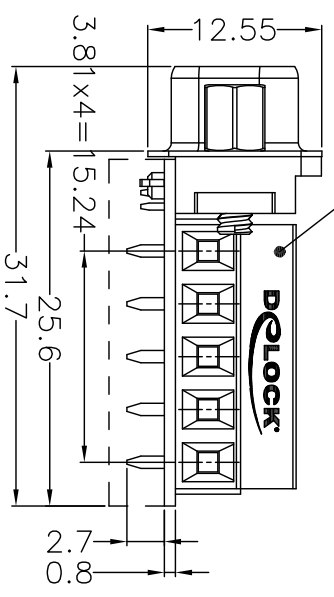
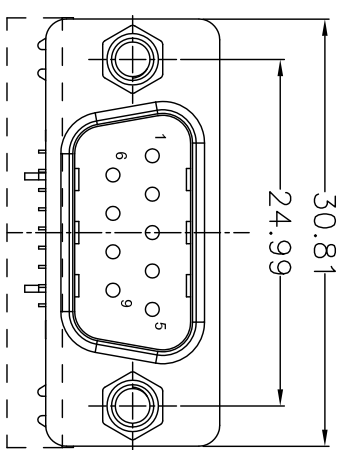
JACKSCREW DETAIL

2X #4-40 JACKSCREW

2X 5 POSITION TERMINAL BLOCK
Pitch: 3.81 mm



Part name:
Adapter terminal block > Sub-D 9 pin male



- Electrical Character:
- 1 > 100% open&short testing
 - 2 > With understanding voltage:DC 500 V 0.01 Sec.
 - 3 > Insulation Resistance: 50M Ohm (Min)
 - 4 > Conductive Resistance: 2 Ohm(Max)

| | | |
|---|-----------------------|------------|
| UNLESS OTHERWISE SPECIFIED, DIMENSIONS ARE IN mm | APPROVALS | DATE |
| DIMENSIONAL TOLERANCES: X = ±0.3 XX = ±0.2 .XXX = ±0.1 | DRAWN BY May | 2/23/2011 |
| ANGULAR TOLERANCES: ALL = ± 1° | CHECKED BY Gang | 14/24/2011 |
| | APPROVED BY Steven | 12/27/2010 |

| | |
|----------------------------|--|
| PROJECTION | CONFIGURATION DETAILS OF UNDIMENSIONED FEATURES MAY VARY |
| COLOR VARIATIONS MAY OCCUR | |

DELCK
We move the world

Item no. 65269

Barcode: 4043619652693

File: 88072