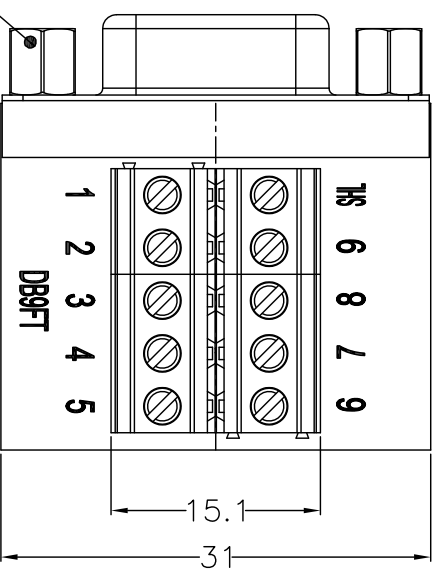
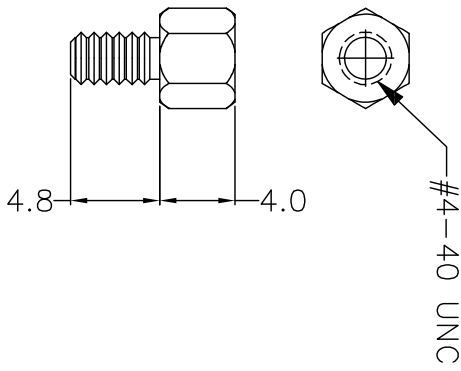


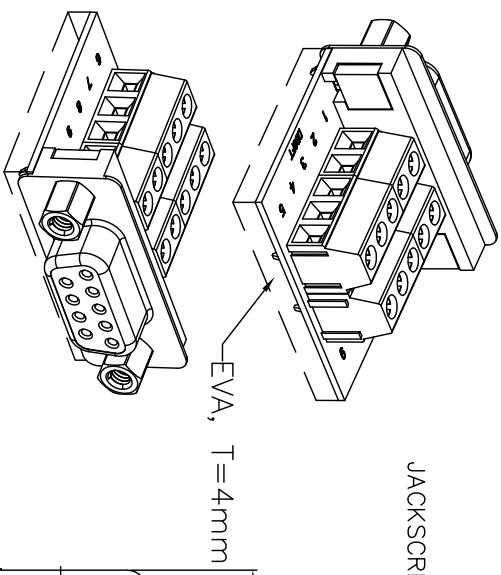
WIRING TABLE	
DB9 PIN #	TERMINAL BLOCK #
1	1
2	2
3	3
4	4
5	5
6	6
7	7
8	8
9	9
SHELL	SHL

REVISIONS		DATE	APPROVED
REV	DESCRIPTION	10/12/09	Lu Jian Ping
A	INITIAL RELEASE		

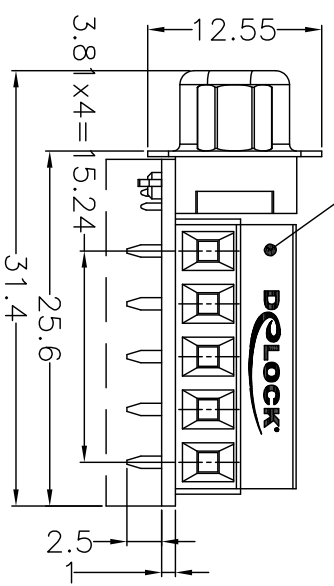
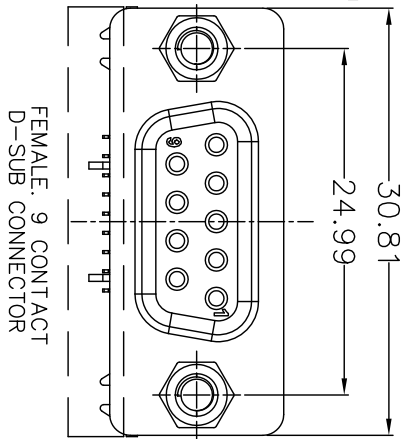


2X #4-40 JACKSCREW

2X 5 POSITION TERMINAL BLOCK
Pitch: 3.81 mm



Part name:
Adapter terminal block > Sub-D 9 pin female



- Electrical Character:
- 1 > 100% open&short testing
 - 2 > With understanding voltage:DC 500 V 0.01 Sec.
 - 3 > Insulation Resistance: 50M Ohm (Min)
 - 4 > Conductive Resistance: 2 Ohm(Max)

UNLESS OTHERWISE SPECIFIED, DIMENSIONS ARE IN mm		APPROVALS		DATE
DIMENSIONAL TOLERANCES: X = ±0.3 XX = ±0.2 .XXX = ±0.1		DRAWN BY May	2/23/2011	
ANGULAR TOLERANCES: ALL = ± 1°		CHECKED BY Gong	14/24/2011	
PROJECTION ALL = ± 1°		APPROVED BY Steven	12/27/2010	
COLOR VARIATIONS MAY OCCUR		CONFIGURATION DETAILS OF UNDIMENSIONED FEATURES MAY VARY		
Item no. 65268				
Barcode: 4043619652686				
File: 88072				