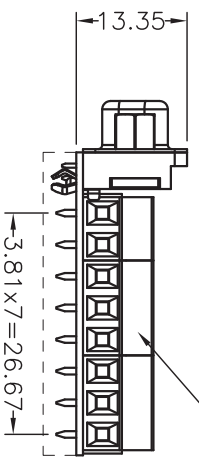
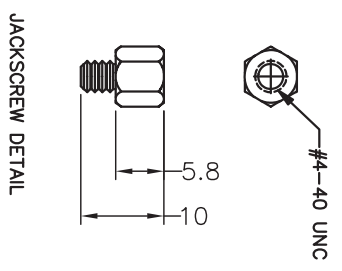
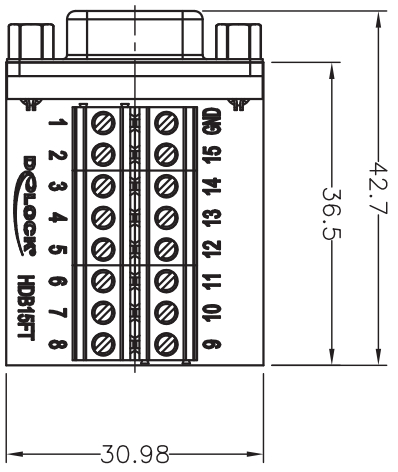
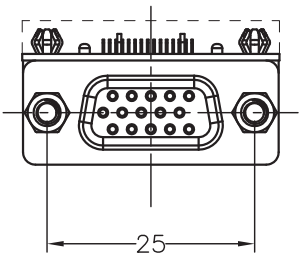


REV	DESCRIPTION	DATE	APPROVED
A	INITIAL RELEASE	02/22/2011	Steven

WIRING TABLE	
HDB15 PIN #	TERMINAL BLOCK #
1	1
2	2
3	3
4	4
5	5
6	6
7	7
8	8
9	9
10	10
11	11
12	12
13	13
14	14
15	15
SHELL	SHL



Partname:
Adapter VGA Female - Terminal Block 16Pin

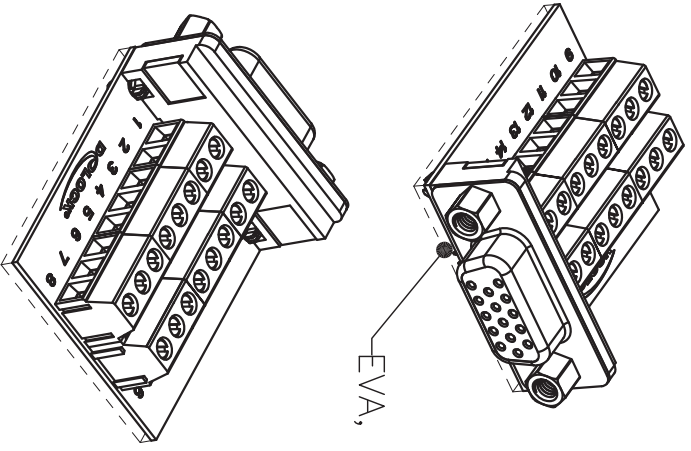
Electrical Character:

- 1> 100% open&short testing
- 2> With understanding voltage:DC 300 V 0.01 Sec.
- 3> Insulation Resistance: 50 M Ohm (Min)
- 4> Conductive Resistance: 2 Ohm(Max)

Material:

- 1> PCB: FR-4

EVA, T=4mm



UNLESS OTHERWISE SPECIFIED, DIMENSIONS ARE IN mm		APPROVALS		DATE	
DIMENSIONAL TOLERANCES:		DRAWN BY	MoY	02/22/2011	
.XX = ±.2		CHECKED BY	Gang	02/22/2011	
.XXX = ±.1		APPROVED BY	Steven	02/22/2011	
.XXX = ±.1		CONFIGURATION DETAILS OF UNDIMENSIONED FEATURES MAY VARY			
ANGULAR TOLERANCES:		COLOR VARIATIONS MAY OCCUR			
ALL = ± 1°		Item no. 65170			
PROJECTION		Barcode: 4043619651702			
		File: 88072			

DELOCK
we move the world