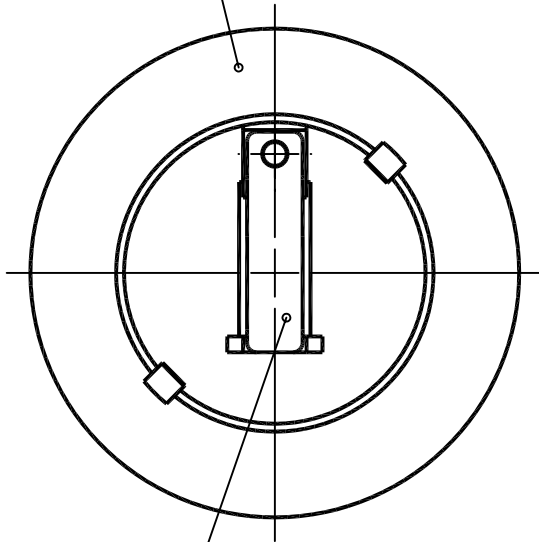
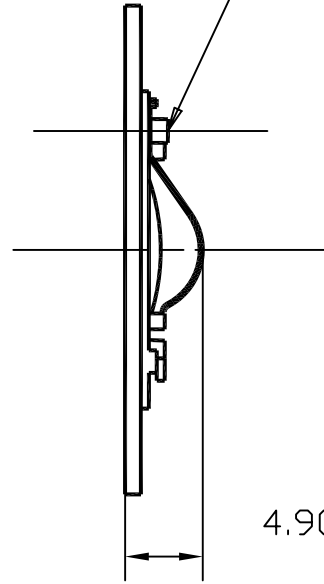


101/44.100-1008.1  
battery door



101/44.100-1007.1  
battery spring

hot formed

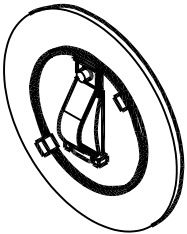


4.900<sup>+0.400</sup><sub>-0.100</sub>

2-FRONT

3-LEFT

M 1:1



4-ISOMETRIC

QTY REQD	FSCM NO	PART OR IDENTIFYING NO	NOMENCLATURE OR DESCRIPTION	MATERIAL SPECIFICATION	ITEM NO
PARTS LIST					
TOLERANCES ARE:		CONTRACT NO. 101/44		TITLE	
DO NOT SCALE DRAWING		APPROVALS	DATE	battery door with switch FS20	
TREATMENT		DRAWN Gerken	20.02.04	SIZE A4	FSCM NO. 00
FINISH		CHECKED		DWG NO.	101/44.100-1009.1
SIMILAR TO	ACT. WT	CALC WT	SCALE 2:1, 1:1	SHEET	