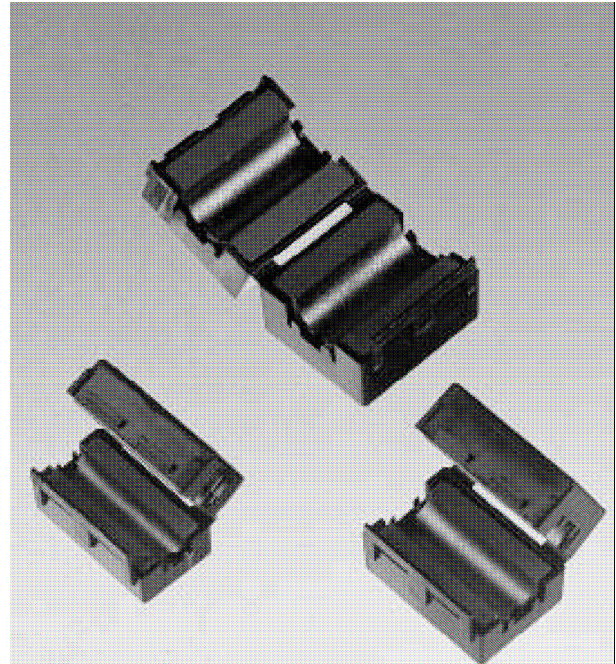
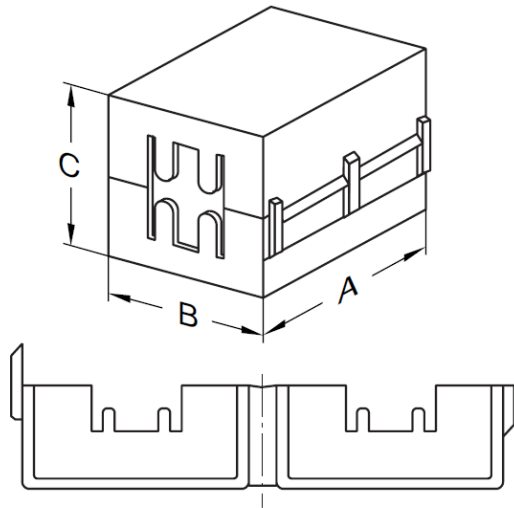


Klappferrite für Rundkabel



| Bezeichnung | Abmessungen in mm | | | Impedance (Ω) | | Max. cable diameter (mm) | Best.-Nr. |
|-------------|-------------------|-------|-------|------------------------|---------|--------------------------|-----------|
| | A | B | C | 25 MHz | 100 MHz | | |
| KFC-100 | 32,60 | 22,50 | 23,00 | 151 | 226 | \varnothing 13.0 max | 68-293-12 |

