

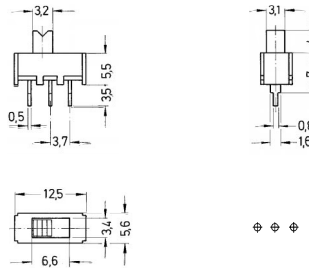
Miniature Slide Switches

Specifications:

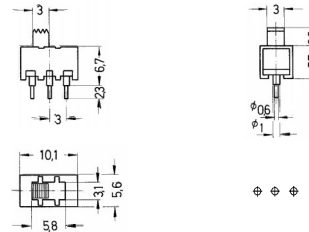
Contact rating:	30 V DC, 350 mA
Contact resistance:	< 20 mΩ
Insulation resistance:	> 100 MΩ at 500 V DC
Dielectric strength:	500 V, 50 Hz for the duration of 1 minute
Mechanical life:	minimum 10 000 operations
Contacts:	copper alloy, silver-plated over nickel barrier
Contact timing:	non-shorting
Slide colour:	black, further colours on request
Soldering conditions:	auto-soldering – max.: 3 sec, 230° C ± 5° C

Models: Switching functions

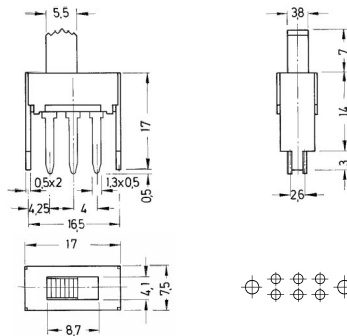
MFP 102 D on on



MFP 191 D on on



MFP 201 N on on



MFP 211 N on on

