

萤石网络保密信息 未经  
EZVIZ CONFIDENTIAL INFO  
UNAUTHORIZED DIFFUSION I

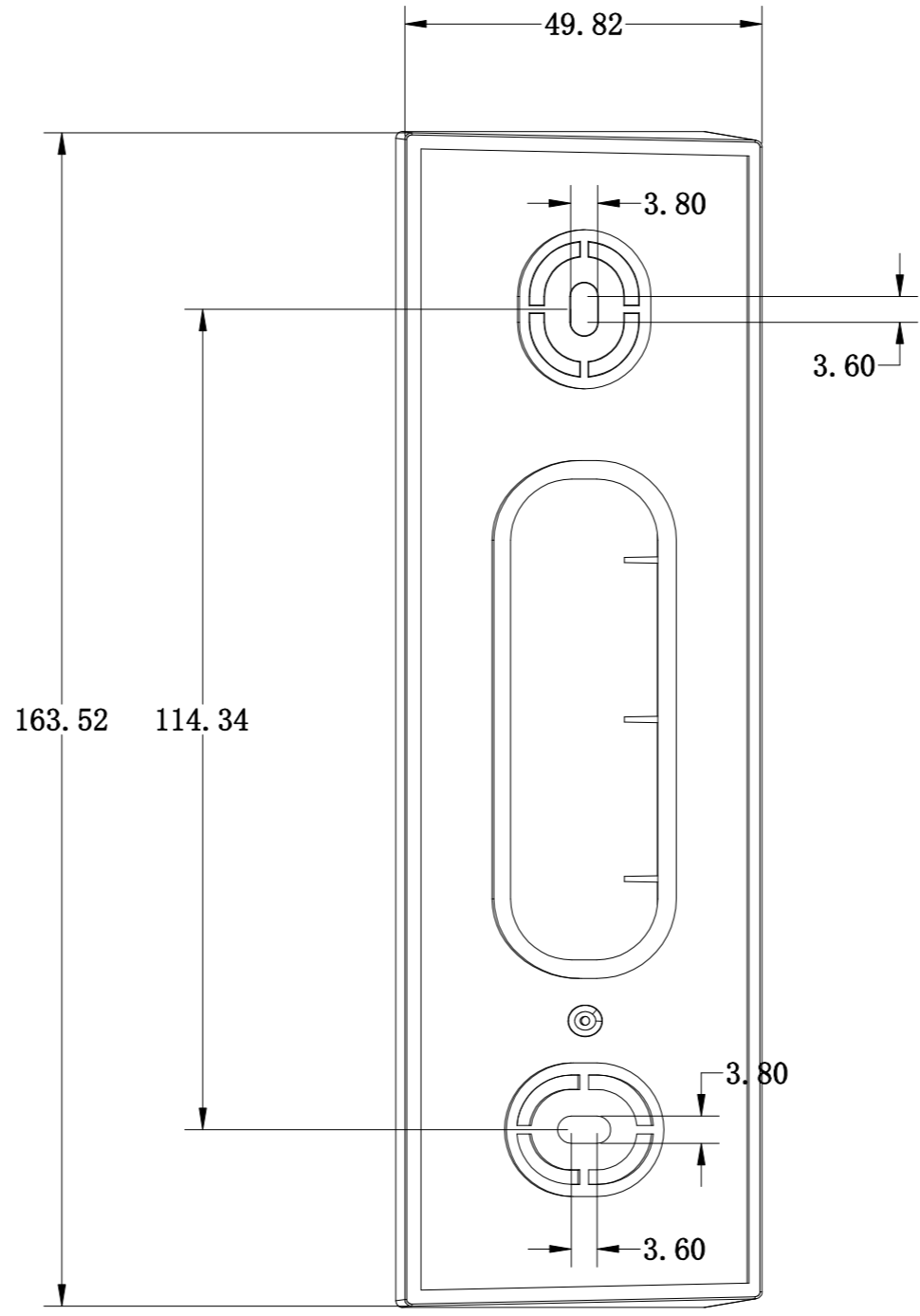
保密等级:AA  
SECURITY CLASSIFICATION:AA

D

E

F

DWG NO:  
A3



符合RoHS要求 (Conform to the requirements of the RoHS).

NO.	REV	DESCRIPTION 修改记录			AREA	BY	DAT
DESIGN	程世灿	2024-01-17	PART NAME: EP3X-斜底座	PART NO:			
APPROVED	程世灿	2024-01-16	DWG NO:	REV: A	STATE: 已发布		
STANDARD			MATERIAL: PC-030 (BK01)	WEIGHT: 36.3	GRADE:	FIRST ANGLE	SCALE
MCODE			FINISH: P056	FIRST_USED_ON		1:1	SIZE: A3
							SHEET 1 OF 1

1 2 3 4 5 6 7 8