

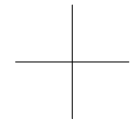
黄石网络保密信息 未经授权禁止

EZVIZ CONFIDENTIAL INFORMATION  
UNAUTHORIZED DIFFUSION IS PROHIB

保密等级:AA

SECURITY CLASSIFICATION:AA

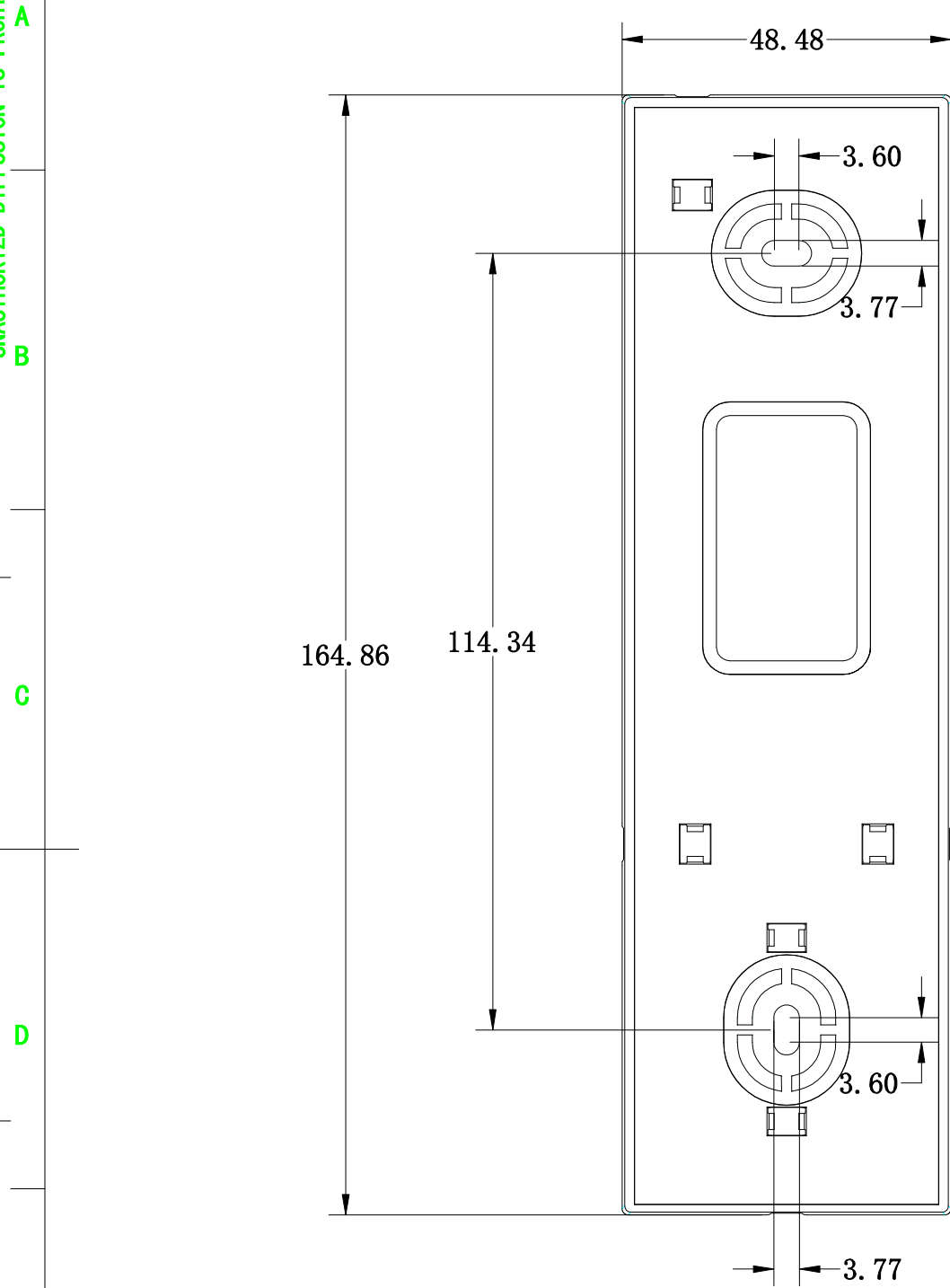
D



E

DWG NO: DB-12-004896

A3



符合RoHS要求 (Conform to the requirements of the RoHS).

NO.	REV	DESCRIPTION 修改记录				AREA	BY	DATE
DESIGN	程世灿	2023-11-20	PART NAME: EP3XHW-底座	PART NO:	190232382			
APPROVED	李明旭	2023-11-20	DWG NO:DB-12-004896	REV: B	STATE: 已发布			
STANDARD	李明旭	2023-11-20	MATERIAL: PC-030 (BK01)	WEIGHT: 26.7	GRADE:		FIRST ANGLE	SCALE
MCODE	DEV230605_1005		FINISH: X005/X005 (BK01)	FIRST_USED_ON			1:1	SHEET 1 OF 1