

# Technaxx<sup>®</sup> \* User Manual

## Power Inverter 1200W TE16

**Do not use electric charge that need higher watts than maximum 1200W continuously! This device is only suitable for vehicle with 12V electrical systems!**

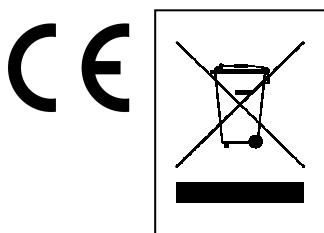
The Declaration of Conformity for this device is under the Internet link: [www.technaxx.de/](http://www.technaxx.de/) (in bottom bar "Konformitätserklärung"). Before using the device the first time, please read the user manual carefully.

Service phone No. for technical support: 01805 012643 (14 cent/minute from German fixed-line and 42 cent/minute from mobile networks). Free Email: [support@technaxx.de](mailto:support@technaxx.de)

Keep this user manual for future reference or product sharing carefully. Do the same with the original accessories for this product. In case of warranty, please contact the dealer or the store where you bought this product. **Warranty 2 years**

### Features

- For mobile use of electronic devices via 12V connection
- 2x 5V USB ports with max. 3.1A (in total)
- 2x 230V safety contact sockets with power switch
- Converts 12V DC battery power into standard 230V AC (household) power, to run a variety of electronics, e.g. tablets, smartphones, laptop computers, game systems, TVs, DVD/MP3 players, camping accessories, GPS units and much more
- Output power max. 1200W (continuous) & 2400W (peak)
- Automatic safety shutdown to secure the car battery (alarm at ~10.5 & ~16V)
- Protection against overload, short circuit & reverse polarity
- Overheating protection through built-in ventilation
- Fixed bracket on device for secure attachment



**Hints for Environment Protection:** Packages materials are raw materials and can be recycled. Do not disposal old devices or batteries into the domestic waste. **Cleaning:** Protect the device from contamination and pollution (use a clean drapery). Avoid using rough or coarse-grained materials or solvents or aggressive cleaner. Wipe the cleaned device accurately. **Distributor:** Technaxx Deutschland GmbH & Co.KG, Kruppstr. 105, 60388 Frankfurt a.M., Germany

## Technical specifications

Input voltage of the battery		DC 12V (10.5V–16V)
Output voltage per socket / AC frequency		AC 230V / 50Hz nominal
Permanent current / Input current		115A / max. 125A
Output power		1200W (maximum, continuously) 2400W (peak)
Output waveform	MSW → The power inverter's MSW [Modified Sine Wave] is especially suitable for light and heat with max. 1200W. MSW output can produce "humming" when connected to audio equipment and is generally unsuitable for sensitive electronics.	
Nominal load efficiency		90%
USB output ports		2x 5V USB ports with max. 3.1A (in total)
AC output		2x 230V safety contact sockets
Circuit protection (DC overload)		3x 40A internal fuses
Weight / Dimensions		2.3kg (with cables) (L) 28.8 x (W) 15.9 x (H) 9.9cm
Package Contents	Power Inverter 1200W TE16, Fixed bracket on device, 2x 90cm connection cables, User Manual	

## Warnings & Caution

- Use of the device in life support applications where failure of the device can reasonably be expected to cause the failure of the life support equipment or to significantly affect its safety or effectiveness is not recommended.
- Do not use the device in the presence of a flammable anesthetic mixture with air, oxygen or nitrous oxide, and also not near flammable materials, fumes or gases.
- Since the device requires adequate ventilation during operation, do not block fan or cooling vents and do not cover the device. Do not operate near car heating vents or in direct sunlight.
- Keep the device dry at all times and disconnect when not in use.
- Turn OFF connected equipment before (!) starting your engine. DO NOT plug a surge protector, line conditioner or UPS system into the device. If you attach AC extension cords, use the heaviest practical gauge.
- Before connecting a battery charger or adapter, check its manual to make sure that the technical specifications of the device (including output waveform) fall within the recommendations of the external battery charger or adapter.

## Normal use

The power inverter is intended to convert 12V direct current voltage to

- alternating current voltage 230V / 50Hz [modified sine wave] and/or
- direct current voltage of 5V / max. 2.1A (2.0 USB).

**IMPORTANT: the TE16 provides a modified sine wave. Please check your devices for compatibility.**

→ The power inverter is only intended for permanent installation.

→ This power inverter is not intended for use by children or persons with limited mental capacity or lacking experience and/or lacking expertise. Children should be supervised to ensure they do not play with the power inverter.

→ The power inverter is not intended for commercial use.

→ Any other use or modification of the device is considered improper and involves significant risks. The manufacturer assumes no liability for damages due to improper use.

## Intended sites

The power inverter is intended for installation in

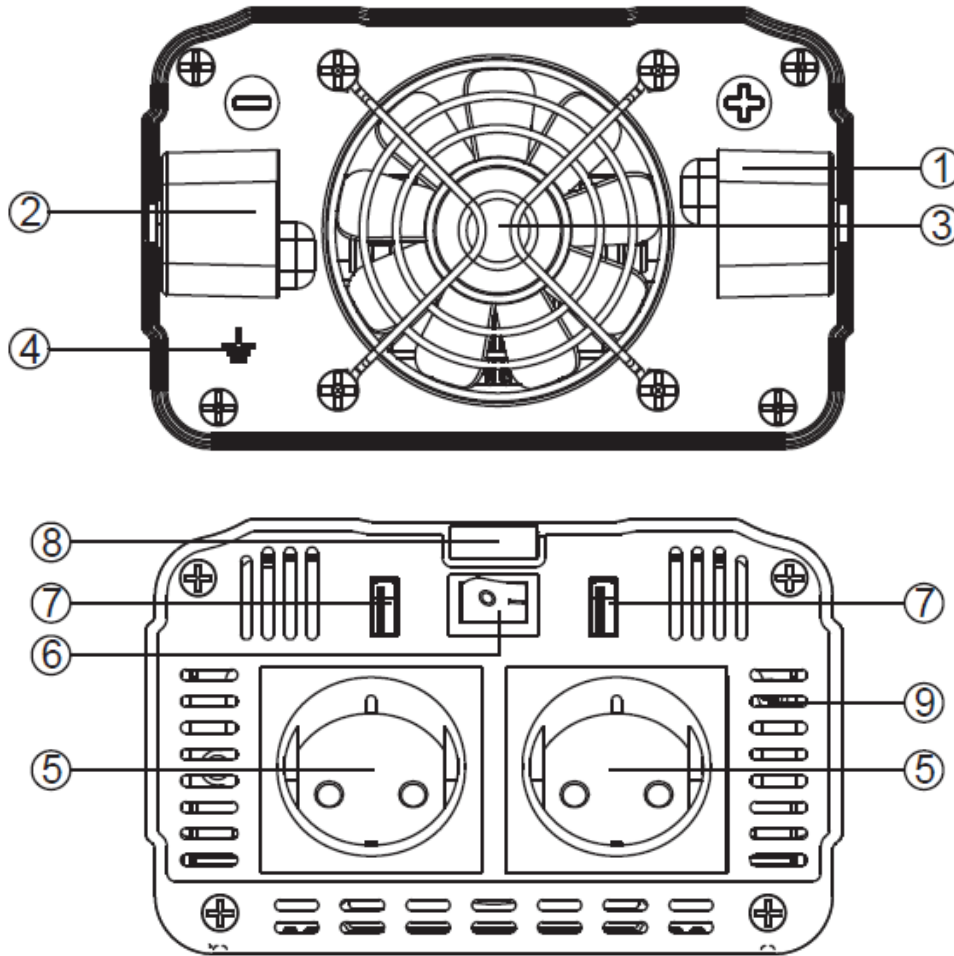
- Automobiles and lorries
- Caravans
- Boats

with 12V batteries.

### **Do not place the power inverter:**

- near heat sources (radiators, direct sunlight), flammable materials, battery compartment or starter battery,
- moist locations or locations exposed to dripping or splashing water,
- in environments with explosion hazards

## Product overview



1	Positive power input (protective cap)	5	Safety contact socket
2	Negative power input (protective cap)	6	ON / OFF Switch
3	High speed cooling fan	7	USB port
4	Ground	8	Indicator LED
		9	Ventilation holes

(3) When the temperature inside the inverter exceeds a preset limit, the cooling fan automatically turns on to cool the inverter. When the temperature reduces, the fan turns off.

(7) Both USB ports together have in total the max. of 3.1A; e.g. when the first USB port delivers 2.1A, is the second one only able to deliver 1A.

(8) Green = OK; Red = Problem (see protective features)

## Determine battery capacity

Battery type and battery size strongly affect the performance. Therefore, you need to identify the type of loads your inverter will be powering and how much you will be using them between charges. Once you know how much power you will be using, you can determine how much battery capacity you need. Technaxx recommends that you purchase as much battery capacity as possible.

### **CAUTION: Risk of inverter damage.**

- The inverter must only be connected to a battery that has a nominal output of 12V.
- **Not operate** if the inverter is connected to a 6V or 24V battery.

## Voltage converter installation

**Use the fixed bracket on device for secure attachment of the power inverter, important is the following:**

- in sturdy and even locations
- on clean, dry and non-flammable surfaces,
- in well ventilated areas → **do not cover the openings.**

## Connecting the inverter

This Inverter has two DC cable connections, one positive and one negative. The order of steps in the following procedure minimizes the danger of sparking near the battery bank.

- Prepare all cable set ends with ring terminals at the battery ends.
- Select the OFF position on the inverter.
- Remove the red positive (+) screw connector cap.
- Slide the red positive (+) cable lead onto the red positive(+) screw connector stud. Tighten the screw connector cap securely.
- Remove the Black negative (–) screw connector cap.
- Slide the Black negative (–) cable lead onto the Black negative (–) screw connector stud. Tighten the screw connector cap securely.
- Securely connect the red positive (+) cable lead to the positive (+) terminal of the battery or power source.

- Securely connect the black negative (–) cable lead to the negative (–) terminal of the battery or power source.
- Connect a 0.75mm<sup>2</sup> wire or larger insulated wire between the chassis ground connector on the Inverter and a clean electrical grounding point on the vehicle. This will minimize possible electrical noise interference when using TVs or radios.

**Note:** Sparking is normal for first connection.

**Operation** → *Before using the power inverter determine your equipment's total watts*

!

- Do not connect more watt than the Output Power (maximum continuous watt) of the device (→ see technical specifications).
- **Determine Total Wattage Required**, Watt ratings are usually listed in equipment manuals or on nameplates. If your equipment is rated in Amp, multiply that number times AC utility voltage to determine watts. (Mathematic example: a drill requires 1.5A → 1.5A x 230Volt = 345Watt. → No problem to use the drill.)
- Remember the vehicle's battery will be discharged when the vehicle is not running.
- To **Determine DC Battery Amps Required**, divide the total wattage required (from above) by the nominal battery voltage to determine the DC amps required. 345 Watt : 12V = 28.75A DC.
- To **Estimate Battery Amp-Hours Required** multiply the DC amps required (from above) by the number of hours you estimate you will operate your equipment exclusively from battery power before you have to recharge your batteries with utility- or generator-supplied AC power. Compensate for inefficiency by multiplying this number by 1.2. This will give you a rough estimate of how many amp-hours of battery power (from one or several batteries) you should connect to your inverter/charger.  
28.75A DC x 0.5h runtime x 1.2 inefficiency rating = 17.25 amp-hours.

- To **Estimate Battery Recharge Required** given Your Application You must allow your batteries to recharge long enough to replace the charge lost during inverter operation or else you will eventually run down your batteries.

To estimate the minimum amount of time you need to recharge your batteries given your application, divide your required battery amp-hours (from above) by your Inverter/Charger's rated charging amps (depending on the ON/OFF settings).  $17.25 \text{ amp-hours} / 40\text{A inverter/charger rating} = 0.43\text{h recharge}$

## Operation

### Turn ON the inverter:

Turn ON/OFF switch on the front panel. The GREEN LED indicator light will light verifying the inverter is receiving power.

### Turn OFF the inverter:

Turn ON/OFF switch on the front panel. When you have confirmed that the appliance to be operated is turned off, plug an appliance cord into one of the 230V AC outlets on the front panel of the inverter.

- Turn Inverter ON/OFF Switch to the ON position
- Turn the appliance ON.

To disconnect, reverse the above procedure.

Power switch can be off when you only use the USB output ports.

**Note:** If you are going to operate several loads from the inverter, turn them on separately after you have turned the inverter on. This will ensure that the inverter does not have to deliver the starting current for all the loads at once.

## **Using the inverter to operate a TV or audio device**

The inverter is shielded and filtered to minimize signal interference. Despite this, some interference may occur with your television picture, especially with weak signals. Below are some suggestions to try and improve reception.

Make sure the television antenna produces a clear signal under normal operating conditions (i.e. at home plugged into a standard 230V AC wall outlet). Also, ensure that the antenna cable is adequately shielded and of good quality.

Try altering the position of the inverter, antenna cables, and television power cord. Add an extension cord from the inverter to the TV so as to isolate its power cord and antenna cables from the 12 volt power source. Try coiling the television power cord and the input cables running from the 12 volt power source to the inverter.

Affix one or several "Ferrite Data Line Filters" to the television power cord. Ferrite Data Line Filters can be purchased at most electronic supply stores. Try grounding the inverter with a minimum (0.75mm<sup>2</sup>) wire, using as short a length as possible.

## **Protective features**

### **Low Voltage Alarm (Red LED on Inverter)**

This state is not harmful to the Inverter, but could damage the power source. The Inverter shuts off when the input voltage drops to 10.5 volts and an audible alarm sounds same time. When ample power is supplied, the Inverter may then be turned back on.

### **Over-Voltage Protection (Red LED on Inverter)**

The Inverter will automatically shut down when the input voltage exceeds 15.8±0.5V DC.



## **Overload Protection (Red LED on Inverter)**

The Inverter will automatically shut down if the continuous draw exceeds its maximum wattage rating. When the Inverter is at or near maximum output, an alarm will sound. When the alarm sounds you need to disconnect the device(s) to bring the Inverter output down to an acceptable level.

If you continue to use the Inverter at or near the maximum output, it will eventually overheat and shut down. If you exceed the maximum Inverter output, the alarm will sound and the Inverter will automatically shut down. The red fault indicator will light and the alarm will continue to sound. The Inverter must be reset after an overload condition.

## **Temperature protection**

The Inverter is equipped with a cooling fan. Depending upon the load output and the temperature of the Inverter, the cooling fan will turn on and off as required to cool the Inverter if needed. If the temperature reaches approximately 80°C the Inverter will shut down automatically. Turn off the Inverter and allow it to cool for a minimum of 15 minutes. Before starting up again, verify the total wattage of the devices being powered.

## **To reset the inverter**

- 1.** Turn off the Inverter using the ON/OFF switch on the Inverter, depending upon how the Inverter was controlled.
- 2.** Unplug all devices.
- 3.** Turn the Inverter back on using the ON/OFF switch on the Inverter. Before devices are reconnected, verify the total wattage of the devices to ensure they are less than the rating of the Inverter.

# TROUBLESHOOTING

## No Power on

→ Fault connection →→ Turn the inverter's power switch off; Verify cable are tightly connected to the inverter and the power source

→ Battery voltage below 10V →→ Recharge or replace battery

→ Equipment being operated draws too much power →→ Allow the inverter to cool down. Ensure there's adequate ventilation around the inverter. Ensure that load is no more than it's maximum rating for continuous operation

## Low Voltage alarm turns on immediately

→ The input voltage at input of the Inverter needs to be raised →→ Recharge/Replace battery or add additional batteries. Run the vehicle engine when using a 12V DC plug

## Low voltage arm is on all the time

→ Power battery condition with voltage drops →→ Replace battery

→ Inadequate power or voltage drops →→ Check condition of battery cables and cable leads. Clean or replace as necessary

## Low power output

→ Battery condition may be poor →→ Recharge or replace a battery

→ Fault connection →→ Make sure the battery and Inverter terminal are clean

## Inverter does not work after connecting the cables in reverse

→ The internal protection has disabled the inverter →→ Contact vendor company for help

***Enjoy your product \* Share your experience and opinion on one of the well-known internet portals***