

Technaxx® * user manual

MINI Power Station TX-205

Before using the appliance for the first time, please read the instructions for use and safety information carefully.



This appliance is not intended for use by persons (including children) with reduced physical, sensory or mental capacities, or by persons lacking in experience or knowledge, unless they are supervised or instructed on the use of this device by a person responsible for their safety. Children should be supervised to ensure they do not play with this device.

Keep this user manual for future reference or product sharing carefully. Do the same with the original accessories for this product. In case of warranty, please contact the dealer or the store where you bought this product.

Enjoy your product * Share your experience and opinion on one of the well-known internet portals.

Table of Contents

Features.....	2
Danger!	3
Hints.....	4
Safety Instructions.....	4
Technical specification	5
Product overview TX-205	6
First use	7
How to charge the device.....	7
By AC-adapter.....	7
By solar panel (not included).....	8
Use of the product.....	8
DC / USB ports.....	8
AC port (230V socket).....	9
LED	9
Troubleshooting	10
Runtime of the different consumers.....	11
Support	12
Cleaning and maintenance.....	12
Declaration of Conformity.....	12
Disposal	12

Features

- 80W AC modified sine wave.
- LED light panel and flashlight with 3 modes
- 4x USB-A (QC3.0), 1x USB-C PD 18W
- Battery capacity of 20,000 mAh (74Wh)
- Solar charging compatible (not included)
- Protection against overheating, short-circuit, etc.

Danger!

● When using the equipment, a few safety precautions must be observed to avoid injuries and damage. ● We cannot accept any liability for damage or accidents which arise due to a failure to follow these instructions and the safety instructions. ● Do not use this product near heat sources such as fires or stoves. Avoid contact with any liquid. ● Do not immerse the product in water or get it wet. ● Do not use this product in rain or wet conditions. ● Do not use this product in environments with strong static electricity/magnetic fields. ● Do not disassemble the product in any way or pierce the product with sharp objects. ● Do not insert any metal objects inside this product, as this creates a risk of electric shock and can cause irreparable damage to the product. ● Do not use any unofficial components or accessories. For replacement of any parts or accessories, please contact your dealer for advice. ● When using the product, strictly abide by the ambient temperature specified in this user manual. If the temperature is too high, it may cause a fire or explosion; if the temperature is too low, the performance of the product may be severely degraded, or the product may stop working. ● Do not place any heavy objects on top of the product. ● During use, do not forcibly block the fan operation or place the product in a non-ventilated or dusty place. ● Avoid shock, drop or severe vibration when using the product. In case of severe external shock, immediately turn off the power and stop using the product. Make sure the product is securely fastened during transportation to avoid vibration and shock. ● If the product is accidentally dropped into water during use, place it in a safe and open place and keep away from it until it is completely dry. Dried product should not be reused and should be disposed of properly in accordance with Disposal Guidelines below. ● If the product catches fire, we recommend that you use the fire extinguisher in the following order: sand, fire blanket, dry chemical, and finally a carbon dioxide fire extinguisher. ● Use a dry cloth to remove dirt from the product ports. ● Place the product on a flat surface to prevent damage from tipping over the product. If the product is overturned and seriously damaged, turn it off immediately, place the battery in an open place, away from flammable objects and people, and dispose of it in accordance with local laws and regulations. ● Make sure to keep the product out of the reach of children and pets.

Hints

- The device is intended exclusively for private and not for commercial use.
- Only use this device as described in this user manual.
- Do not place any part of this device in water or any other liquid.
- Do not handle the device with wet hands.
- When disconnecting the cable, always pull at the plug. Do not pull on the cable itself.
- Do not let the cord on the edge of a table or work surface.
- Prevent it comes into contact with hot surfaces.
- Keep it away from heat sources to avoid deformation of plastic parts.

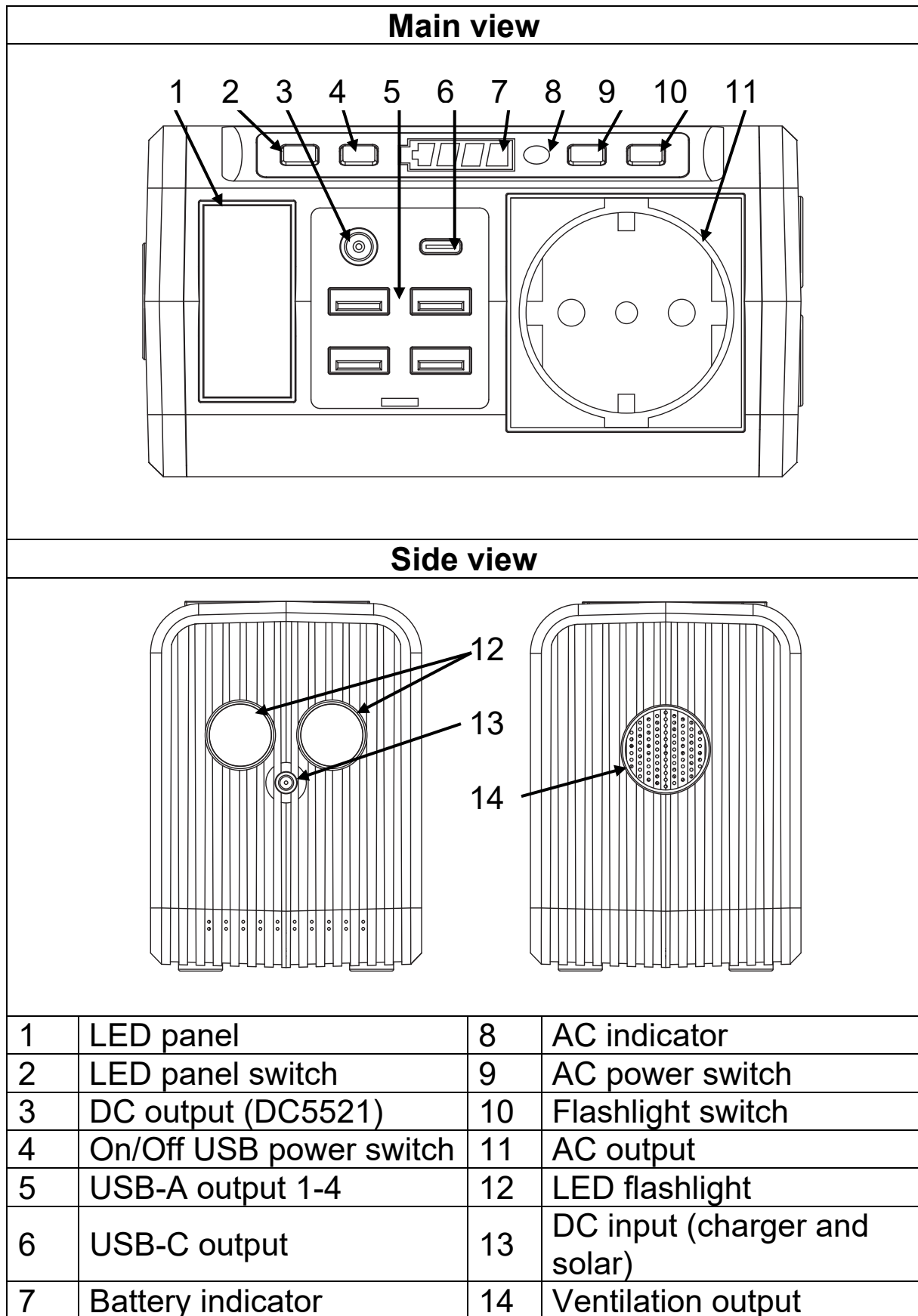
Safety Instructions

- Children are not allowed to play or use the equipment.
- Unless supervised, children are not allowed to clean the equipment and carry out user-level maintenance work.
- Any errors made in following the safety regulations and instructions may result in an electric shock, fire and/or serious injury.
- The equipment and packaging material are not toys.
- Do not let children play with plastic bags, foils or small parts.
- There is a danger of swallowing or suffocating!
- Only operate the product indoors or under dry condition
- Keep children and bystanders away from your work area.
- Do not use the unit in a damp or wet environment.
- Ensure that there is sufficient lighting.
- Do not expose the unit to direct sunlight, rain or snow.
- Do not use the charger near explosive gases or liquids.
- Keep the item in a dry, safe place out of the reach of children.
- Do not carry the item by the cable and do not pull on the cable to pull the plug out of the socket.
- Protect the cable from heat, oil and sharp edges.
- Before use, make sure that the unit and all cables are in perfect condition.
- If the cable is damaged, have it replaced by an authorised specialist workshop.
- Do not attempt to carry out any repairs yourself.
- Always disconnect the item from the mains when not in use.
- Keep all the ventilation slots clean.
- Do not look into the light beam of the flashlight or LED panel.
- Do not point the light beam of the flashlight into the eyes of people or animals.

Technical specification

Li-Ion battery	20,000 mAh, 3.7 V (74 Wh)
Power supply (input)	19 V DC, 1.5 A
Solar panel (input)	15-24 V DC, 1.35 A (max.)
USB-A output 1 & 3	5 V DC, 2.4 A Total: 5 V, 4.8 (max.)
USB-A output 2 & 4 (QC3.0)	5-12 V DC, 2 A, 18 W (max.) Total: 5 V, 3.4 A (max.)
USB-C output	5 V DC, 3 A 9 V DC, 2 A 12 V DC, 1.5 A PD 2.0, 18 W (max.)
DC output	12-16.8 V DC, 10 A (10.8 A max.)
AC output	220 V, 50 Hz, 120 W (max.)
AC waveform	modified sine wave
AC nominal power / peak power	80 W / 120 W
Charging time	approx. 5 hours
Operating temperature	-10°C to 40°C
Protected against	Short circuit, overheating, overcharge, overvoltage, undervoltage, overcurrent
Flashlight	1 W, 120 lm; 3 functions
LED panel	90 lm / 120 lm
Connections	1 x DC output (DC5521) 4 x USB-A output 1 x USB-C output 1 x 230 V output 1 x DC input (DC35135)
Dimensions / Weight	14.5 x 10.5 x 7.7 cm / 1.2 kg
Package content	TX-205 MINI Power Station, AC adapter, 12V DC adapter, user manual

Product overview TX-205



First use

Before using the device, the first time, charge it with the AC-adaptor from the package content until the device shows fully charging status.

NOTE: Charging may take longer than 5 hours, depending on charging method and battery status.

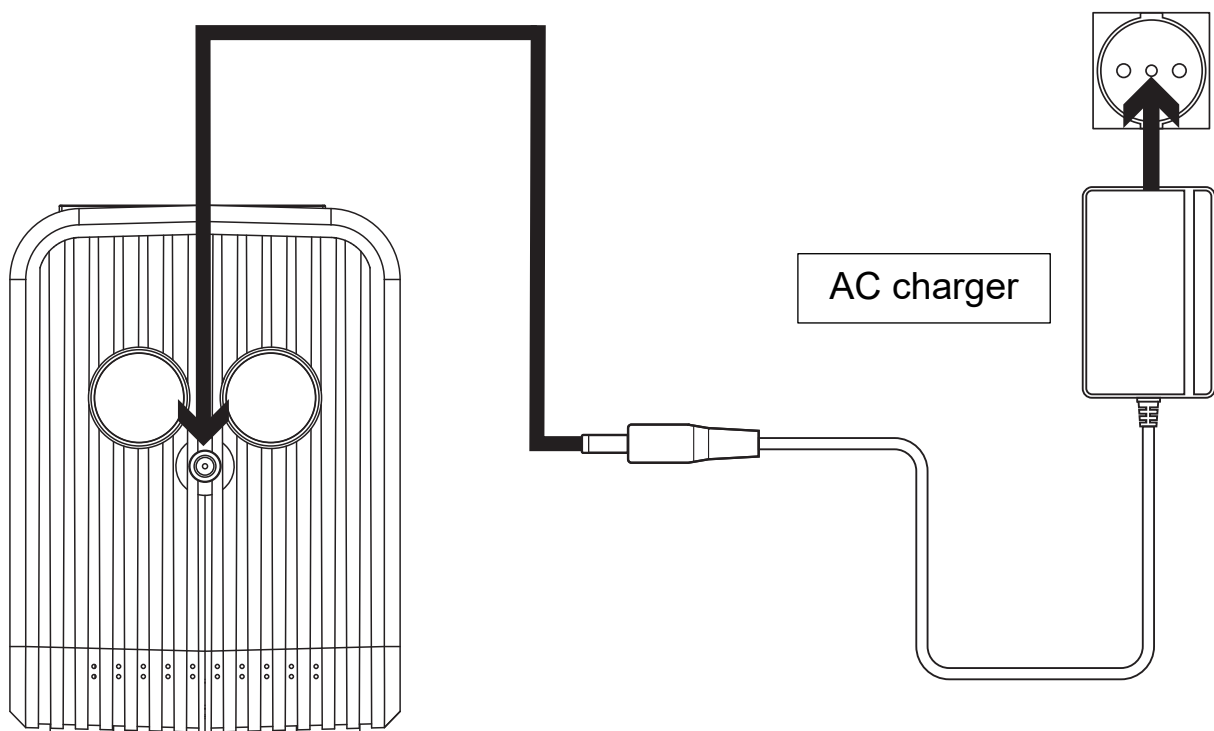
How to charge the device

The battery power of the energy storage power supply will be consumed during use. You can choose the following methods to charge the energy storage power supply:

By AC-adaptor

Connect the AC plug cord to the device charging port. Insert the adapter AC plug into the mains outlet.

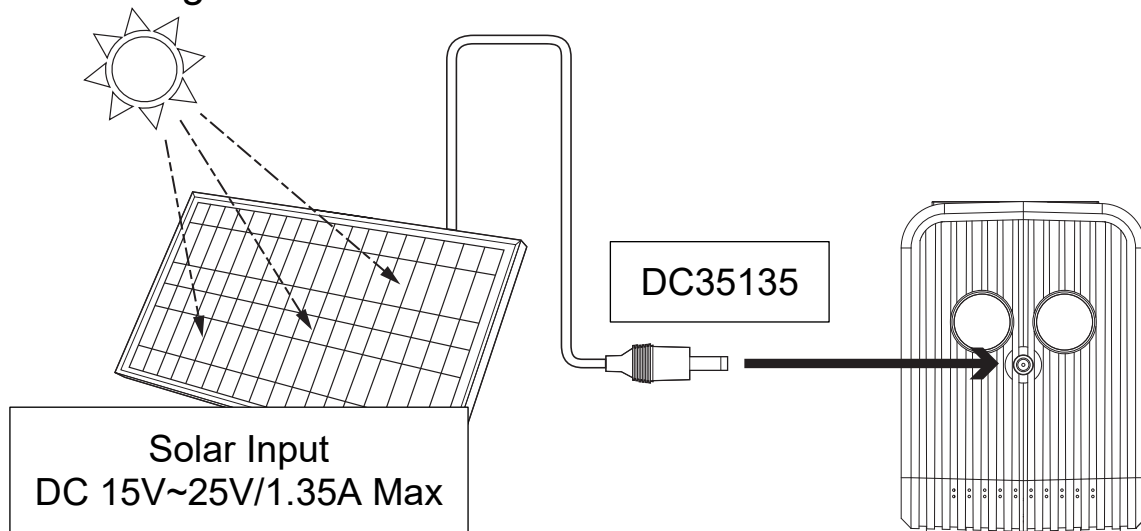
Note: The device is fully charged when the battery indicator LED (7) lights up blue in all 4 areas of the battery symbol.



By solar panel (not included)

Make sure the solar panel output is in the range of the allowed input parameter (see picture below). The solar panel can only be connected to the “DC IN” plug with a DC35135 connector.

NOTE: The solar panel should be placed in a bright area. Prevent sun blocking of the solar panel by leaves or trees for best energy harvesting.



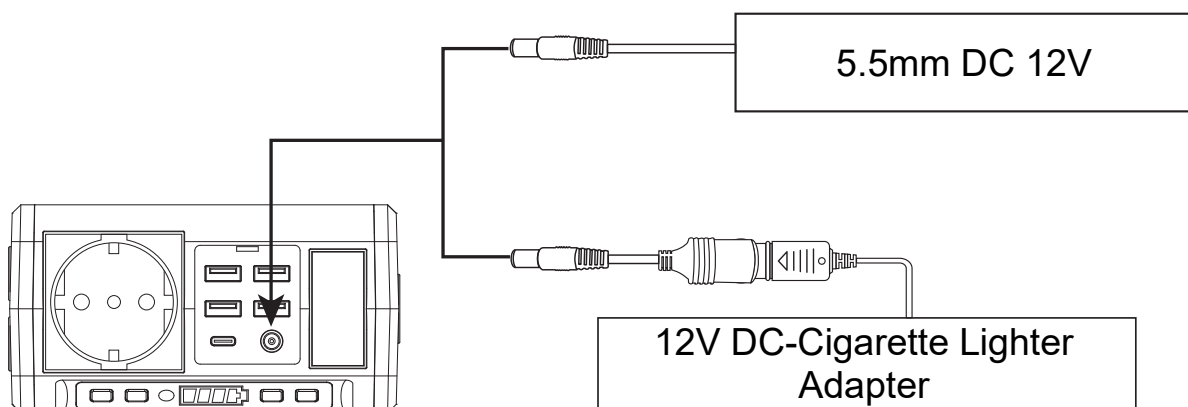
Use of the product

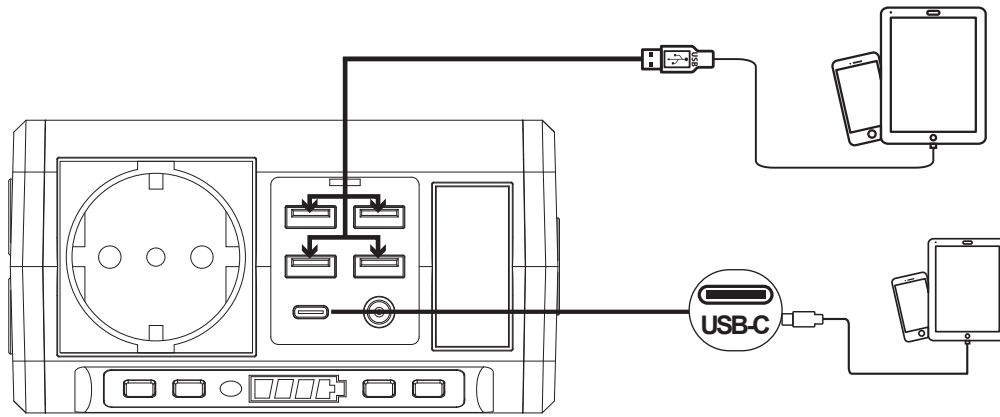
The Product has different function units inside, each is equipped with a button to turn the relevant function on or off:

DC / USB ports

To activate the DC and USB ports, press the DC power switch. The battery indicator lights up and shows the DC unit is ready to use.

Example of usage





AC port (230V socket)

To activate the AC port, press the AC power switch. The AC indicator will light up and show the AC unit is ready to use. We suggest to switch the AC port off as long as it is not used, the internal inverter needs battery power as well as no item is connected.

HINT: Overpower will end in a shut down of the device. The AC output has limited output power of <80W. 120W can just be provided for a very short time. Electronic devices with turning engines like drillers, pumps, compressors, etc. may not start. In some cases, humming noises and/or high temperature development or malfunctions and failures occur. Those appliances could be damaged. In such a case, the device is not compatible with the inverter and cannot be used.

LED

To activate the LED, press the LED switch, the LED will light up, press the switch again to change the different functions.

Functions for flashlight are: 1x bright steady light, 2x flashing light, 3x SOS-light.

Functions for LED panel are: 1x normal light (90lm), 2x bright light (120lm).

Press again to turn off flashlight/LED panel.

Troubleshooting

Fault Category	Fault description and handling methods
Device too hot (over +40°C)	Place the device in a cool and ventilated place. After the temperature has dropped, the device can be used normally again - Do not cool down the device by freezing it to avoid damaging it!
Device too cold (lower than -10°C)	Place the device in a warm environment and it can be restored after the temperature has risen. - Do not put the device in the oven or heat it directly in any means to avoid danger!
DC does not charge (Solar / Adapter)	Check if the charging voltage meets the device requirements: (Solar charging) DC charging voltage requirements 15-24V DC
	If the battery indicator is off, check if the adapter is connected and works properly. Further check if the AC mains socket the AC adapter is connected to is normal. If you use solar for charging check if the weather condition is sunny and the angle to the sun is well positioned.
	Device too hot or cold, refer to the corresponding method above.
No AC output	Check that the AC switch is on. (On: the red indicator light (8) beside the button is on, off: the indicator light is off)
	Check whether the load device is connected to the AC output
	The equipment is overloaded or short-circuit protected. After reducing the load or eliminating the fault, it can be restored after restarting.
	Battery under-voltage protection, need to be charged before use; AC switch should be turned off and then turned on.

Cigarette lighter, DC Ports, USB, TYPE-C no output	Whether the DC switch is on. (On: battery indicator is on, off: the battery indicator is off)
	Check whether the battery indicator on the switch button is on. If it is off, it may be caused by overload or short circuit or over temperature of the DC module. After checking and troubleshooting, it can return to normal. Overload recovery: reduce the load to within the rated range. Short-circuit recovery: check the load equipment and eliminate the short-circuit fault. Module over-temperature recovery: suspend use and resume after cooling.
	Battery under-voltage protection, need to be charged before use
	Device too hot or cold, refer to the corresponding method above.
LED light does not light up	Battery under-voltage protection, need to be charged before use
	Device too hot or cold, refer to the corresponding method above.

Runtime of the different consumers

Mobile phone	Up to 5 x
Tablet	Up to 3 x
Camera	Up to 10 x
Shaver	Up to 10h
Notebook	Up to 5h
USB Fan (5W)	Up to 12h
Mini refrigerator	Up to 3h

The table above should give you an indication, depending on your devices, capacity of the batteries you may get different results with your products. Mini refrigerator may not start if they are driven by compressor, due to high current during starting process.

Support

Service phone No. for technical support: **01805 012643** (14 cent/minute from German fixed-line and 42 cent/minute from mobile networks). Free Email: **support@technaxx.de**

The support hotline is available Mon-Fri from 9am to 1pm & 2pm to 5pm

Cleaning and maintenance

Danger! Always pull out the mains power plug before starting any cleaning work. Keep all safety devices, air vents and the housing free of dirt and dust as far as possible. Wipe the equipment with a clean cloth or blow it with compressed air at low pressure. •We recommend that you clean the device immediately each time you have finished using it. •Clean the equipment regularly with a moist cloth and some soft soap. Do not use cleaning agents or solvents; these could attack the plastic parts of the equipment. Ensure that no water can seep into the device. The ingress of water into an electric tool increases the risk of an electric shock. •The charger should be placed in a dry room for storage. Any corrosion must be cleaned off the charging terminals.

Declaration of Conformity



The EU Declaration of Conformity can be requested at the following address: www.technaxx.de/ (in the lower bar "Declaration of Conformity").

Disposal



Disposal of the packaging. Sort packaging materials by type upon disposal.

Dispose of cardboard and paperboard in the waste paper. Foils should be submitted for recyclables collection.



Disposing of old equipment (Applies in the European Union and other European countries with separate collection (collection of recyclable materials) Old equipment must not be disposed of with household waste! Every consumer is required by law to dispose of old devices that can no longer be used separately from household waste, e.g. at a collection point in his or her municipality or district. This ensures that the old devices are properly recycled and that negative effects on the environment are avoided. For this reason, electrical devices are marked with the symbol shown here.



Batteries and rechargeable batteries must not be disposed of in household waste! As a consumer, you are required by law to dispose of all batteries and rechargeable batteries, whether they contain harmful substances* or not, at a collection point in your community/city or with a retailer, to ensure that the batteries can be disposed of in an environmentally friendly manner. * marked with: Cd = cadmium, Hg = mercury, Pb = lead. Return your product to your collection point with the fully discharged battery installed inside!

Made in China

Distributed by:
Technaxx Germany GmbH & Co. KG
Konrad-Zuse-Ring 16-18,
61137 Schöneck, Germany