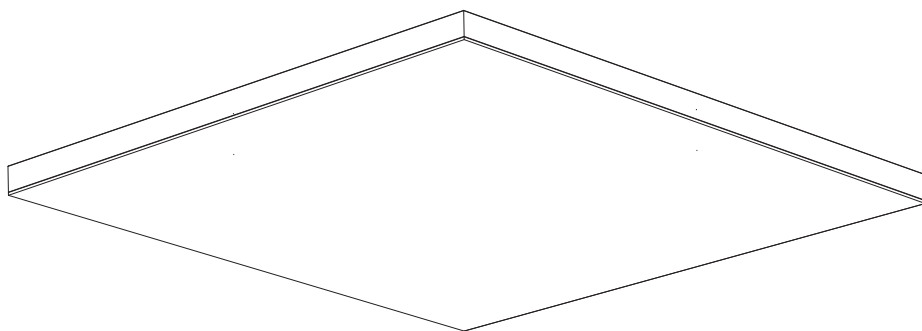
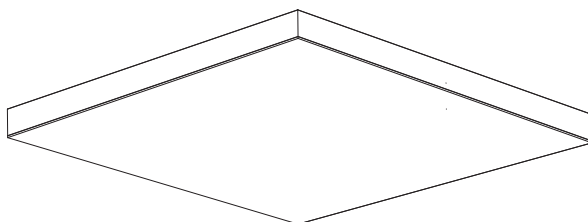
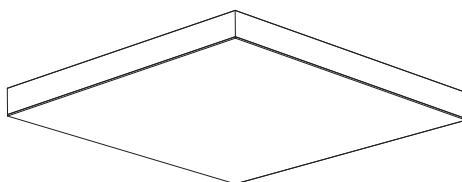




SMART⁺ PLANON FRAMELESS



	EAN	W	lm	K	⌀ (°C)	V~	mA	Hz	DF
SMART WIFI PLANON FRAMELESS 30X30TW	4058075484313	20	1600	3000-6500	-20...+40	220-240	90	50/60	>0.9
SMART WIFI PLANON FRAMELESS30X30RGBTW	4058075484351	20	1500	3000-6500	-20...+40	220-240	90	50/60	>0.9
SMART WIFI PLANON FRAMELESS 45X45TW	4058075484375	28	2300	3000-6500	-20...+40	220-240	125	50/60	>0.9
SMART WIFI PLANON FRAMELESS 60X60TW	4058075484436	40	3400	3000-6500	-20...+40	220-240	180	50/60	>0.9
SMART WIFI PLANON FRAMELESS60X60RGBTW	4058075484474	40	3400	3000-6500	-20...+40	220-240	185	50/60	>0.9

2x 1610 g
 4058075484313
 2x 1720 g
 4058075484351
 2x 2770 g
 2x 4058075484375
 4x 4860 g
 4058075484436
 4x 5390 g
 4058075484474

mm

	L	W	H
300X300 20W	300	300	62
450X450 28W	450	450	62
600X600 40W	600	600	62

1

ON
 ON
 ON
 ON
 OFF
 OFF
 OFF
 OFF

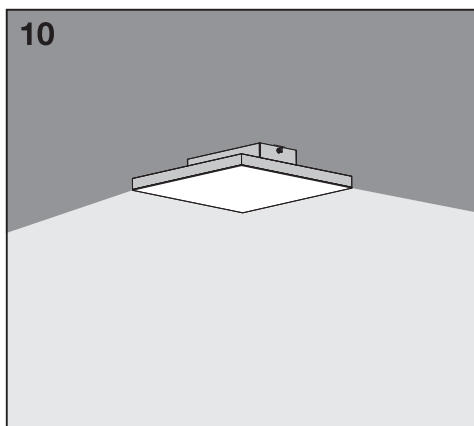
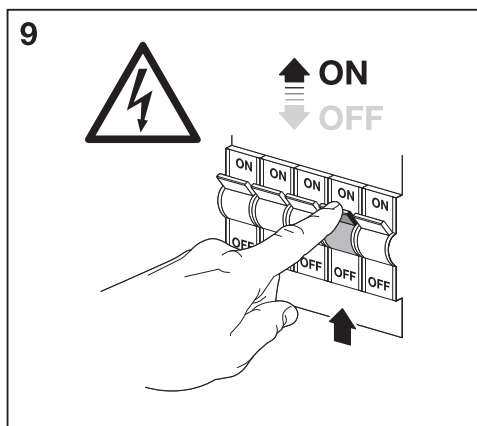
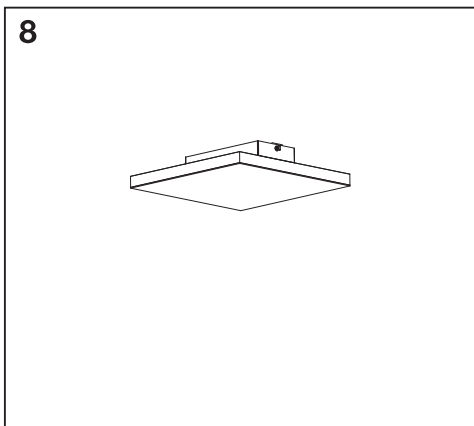
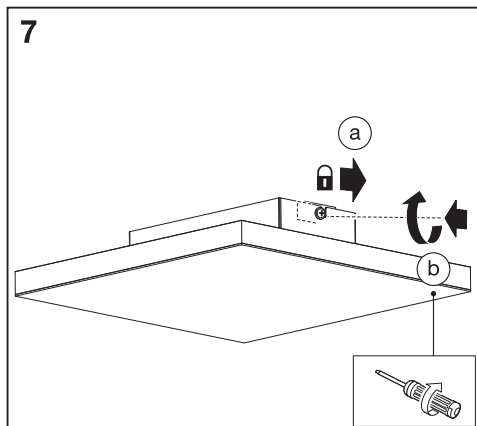
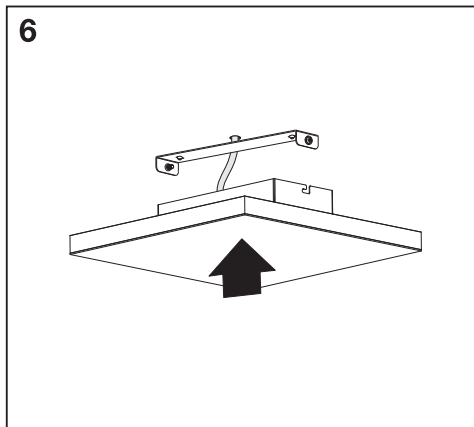
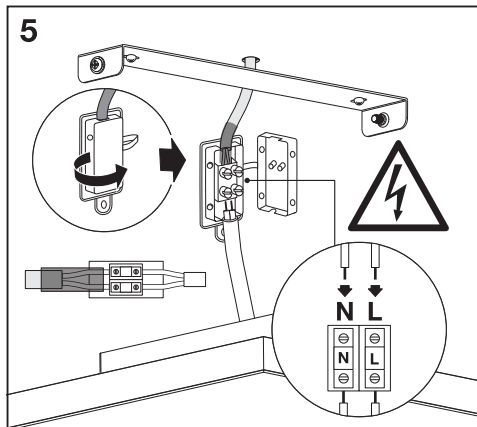
↑ ON
 ↓ OFF






2

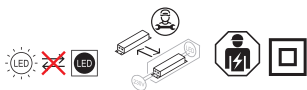
a, b, c

3

4



	EAN	This product contains a light source of energy efficiency class	Contained Light Source
SMART WIFI PLANON FRAMELESS 30X30TW	4058075484313	F	
SMART WIFI PLANON FRAMELES30X30RGBTW	4058075484351	E	
SMART WIFI PLANON FRAMELESS 45X45TW	4058075484375	E	
SMART WIFI PLANON FRAMELESS 60X60TW	4058075484436	E	
SMART WIFI PLANON FRAMELES60X60RGBTW	4058075484474	E	



C10449057
G11127614
12.01.2022



LEDVANCE GmbH
Steinerne Furt 62
86167 Augsburg, Germany
www.ledvance.com