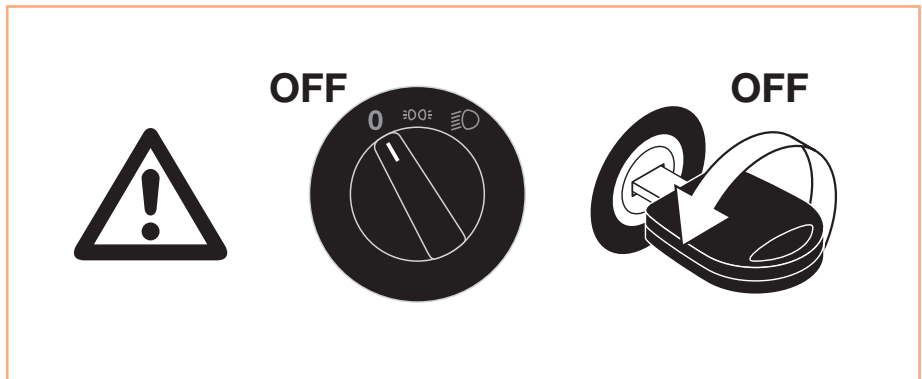
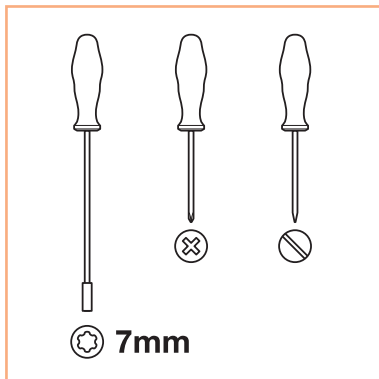
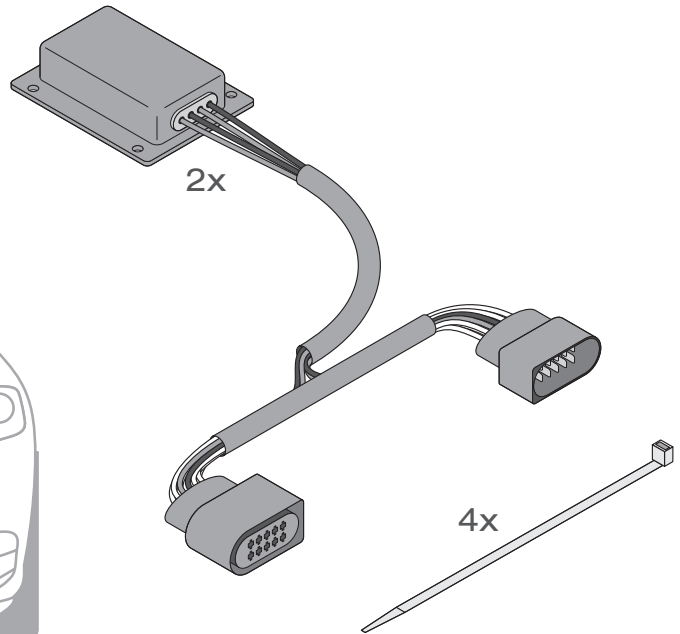
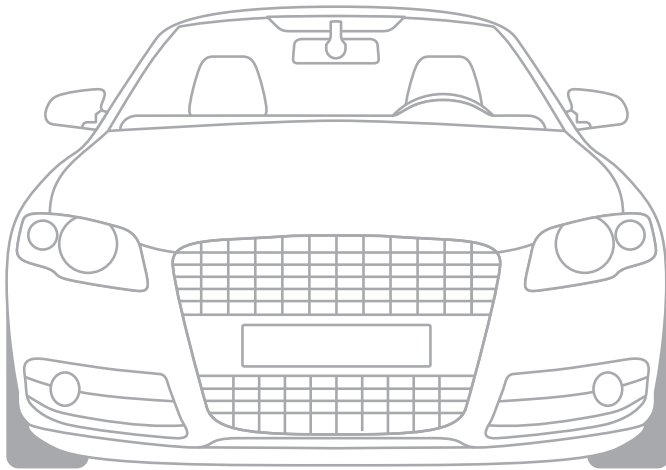


LEDiving® SMART CANBUS



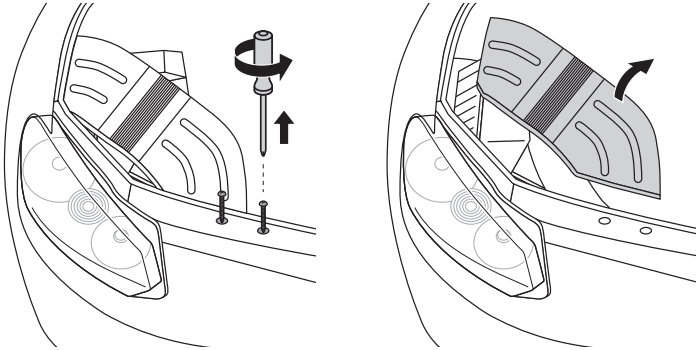
LEDSC02-1

Audi A4 B7



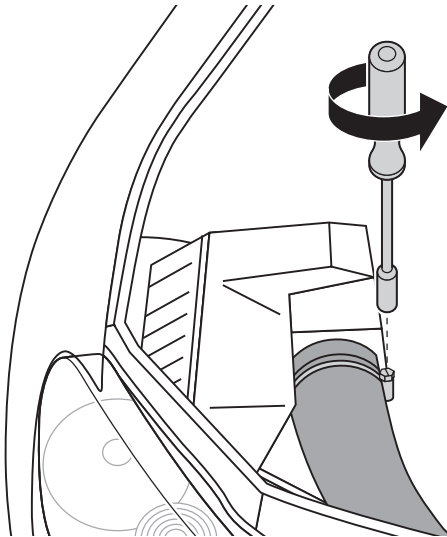
R

1



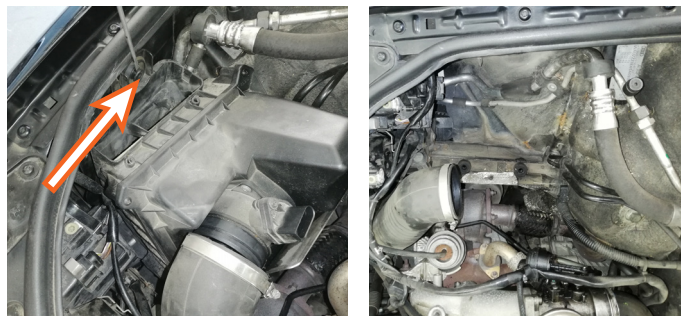
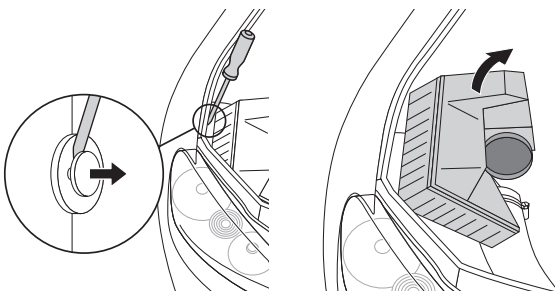
Detach and remove air intake duct.²⁾

2

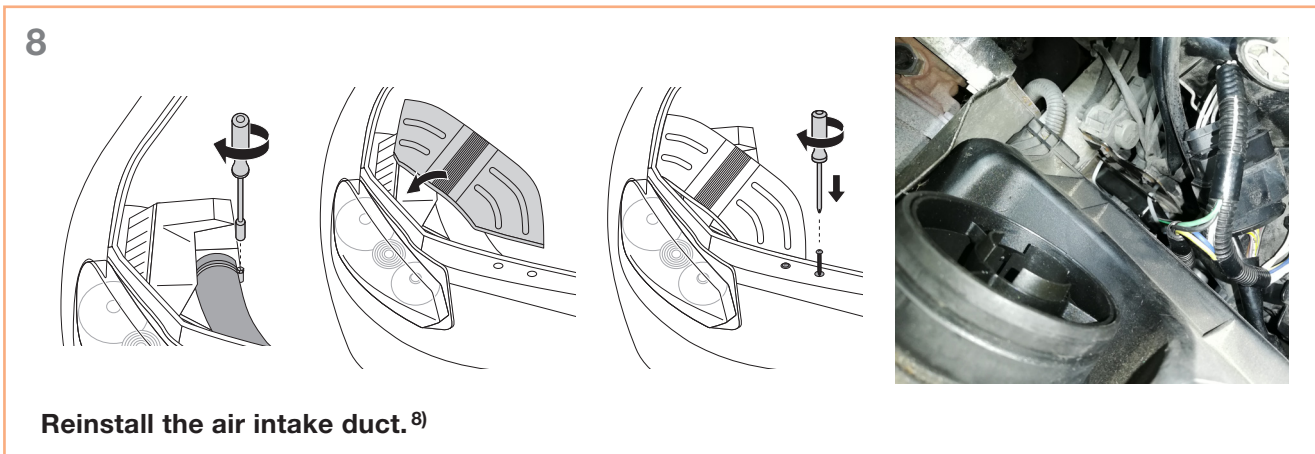
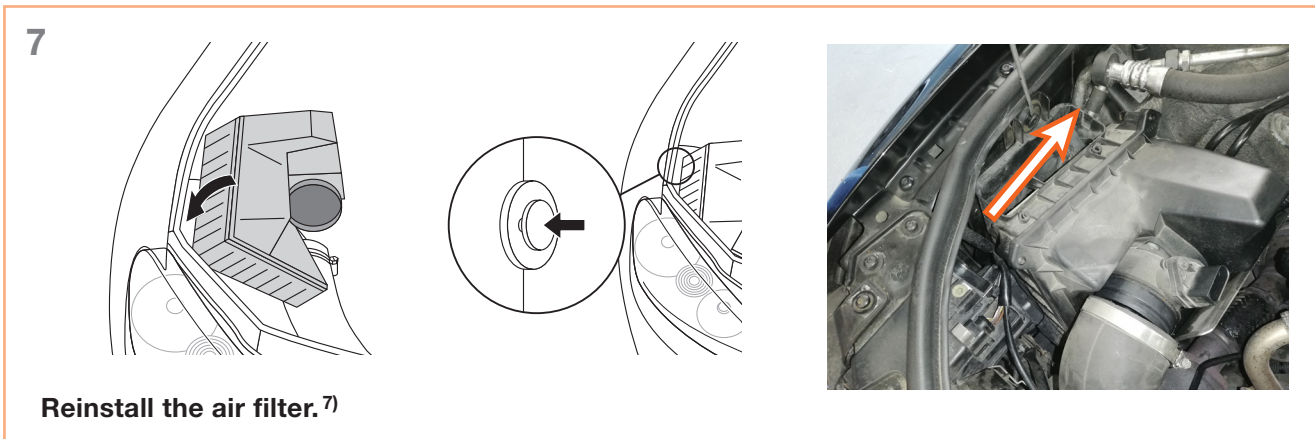
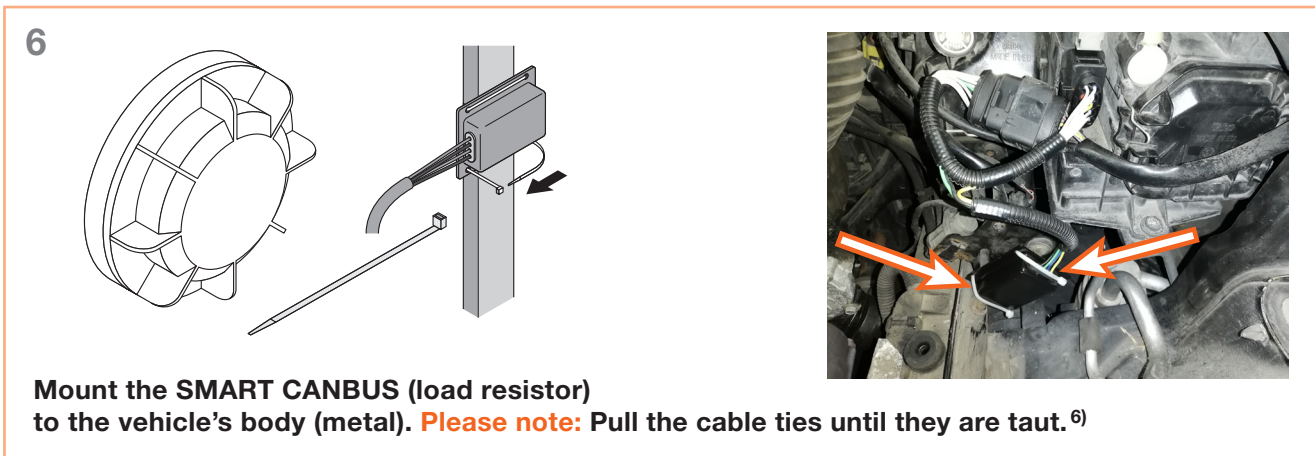
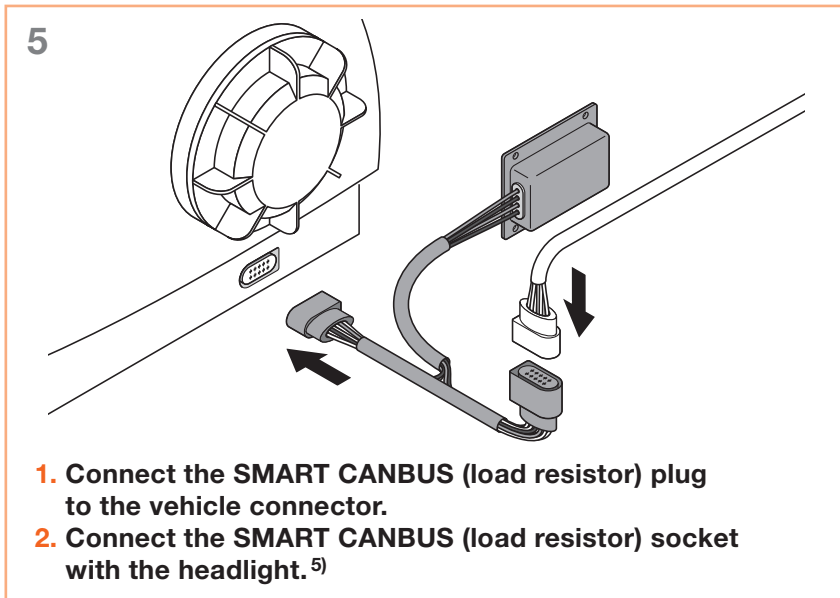
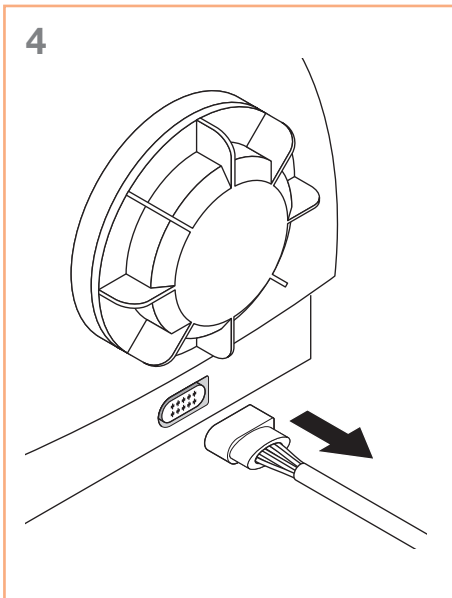


Pull hose from air filter by loosening the clamp.³⁾

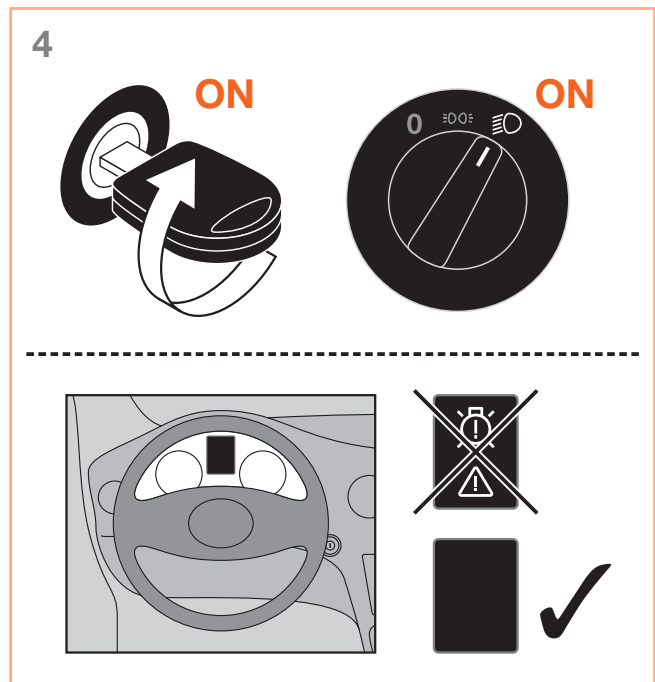
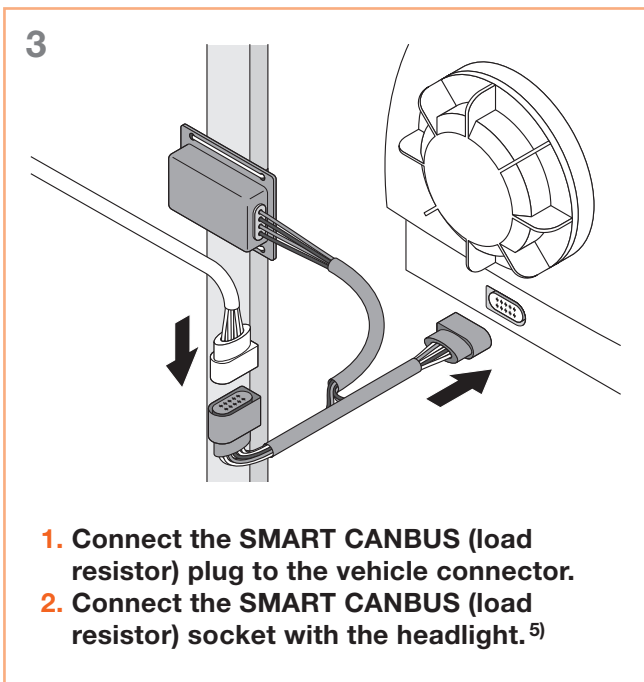
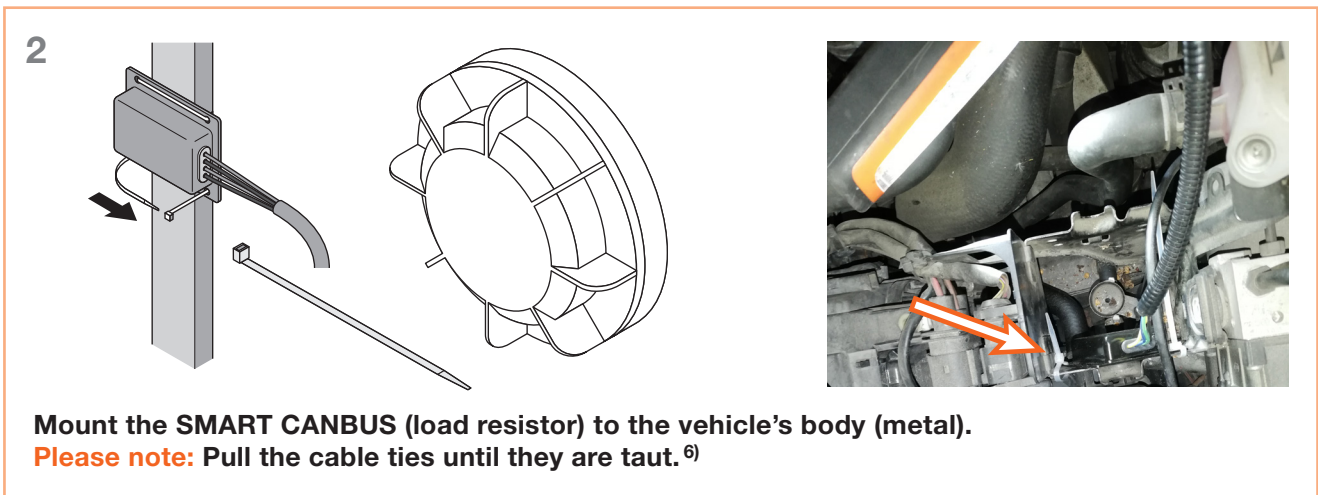
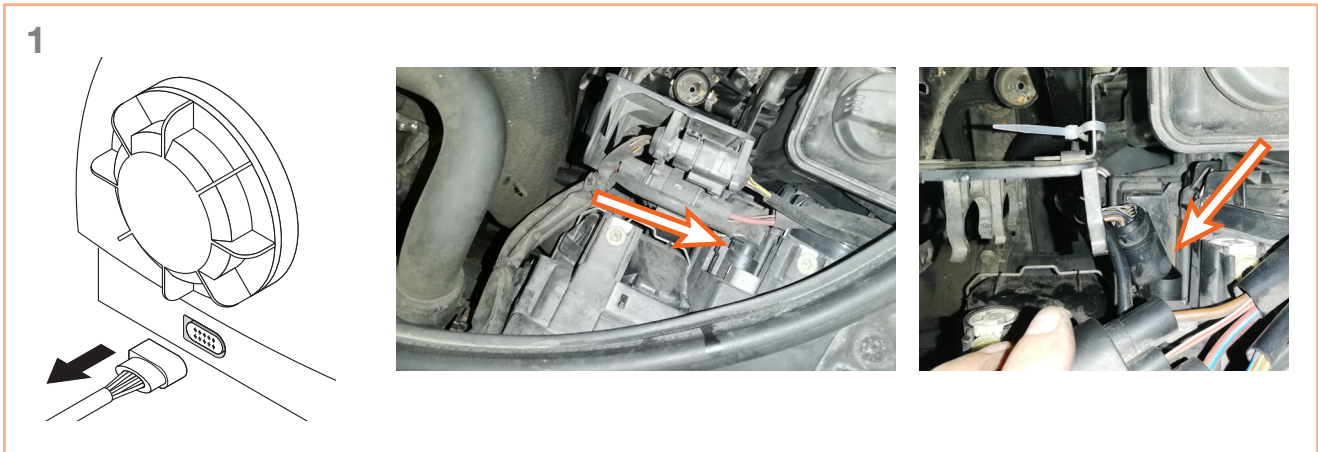
3



Pry out and remove the air filter by loosening the locking pin.⁴⁾



L



For questions regarding maintenance or technical problems, please contact OSRAM customer service via automotive-service@osram.com. ⁹⁾

