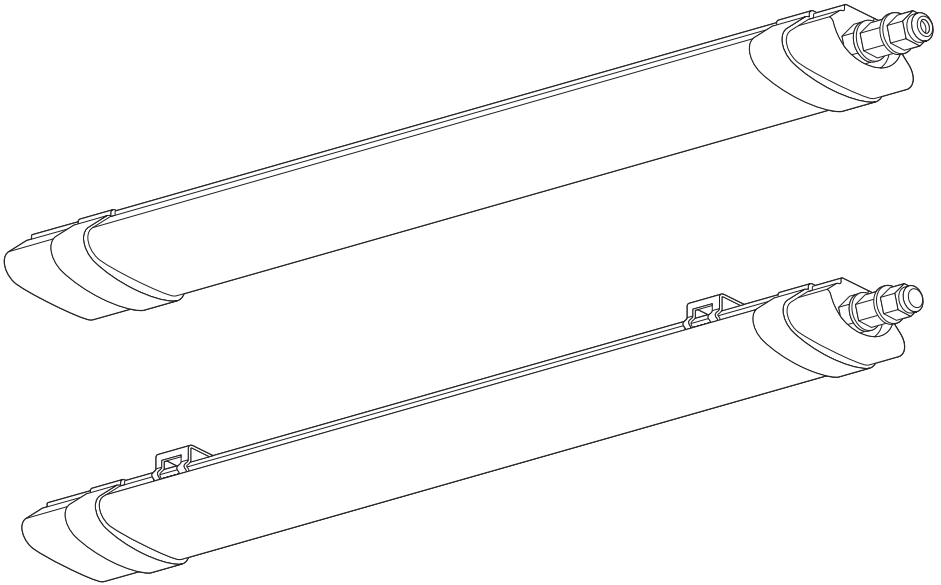
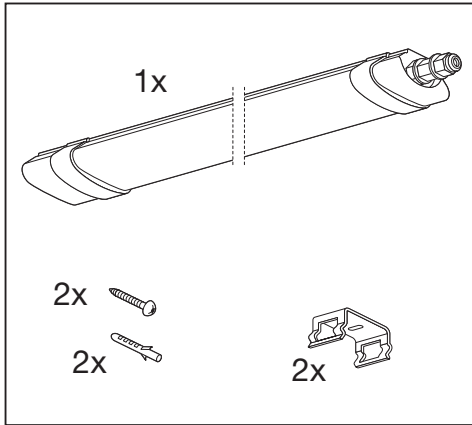

SubMARINE®
INTEGRATED SLIM

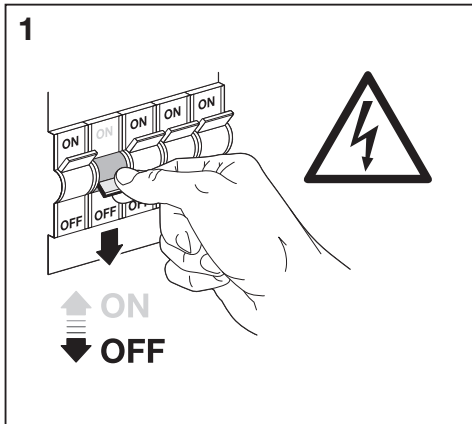


	EAN	W	lm	K	IP	⊖(°C)	V~	mA	Hz	PF	👤
SUBMARINE® INTEGRATED SLIM VALUE 0.6 M	4058075266391	10	900	4000	65	-20...+35	220-240	100	50/60	>0.5	0.2 kg
SUBMARINE® INTEGRATED SLIM VALUE 1.2 M	4058075266414	18	1600	4000	65	-20...+35	220-240	170	50/60	>0.5	0.3 kg
SUBMARINE® INTEGRATED SLIM VALUE 1.5 M	4058075266438	24	2160	4000	65	-20...+35	220-240	230	50/60	>0.5	0.4 kg



mm

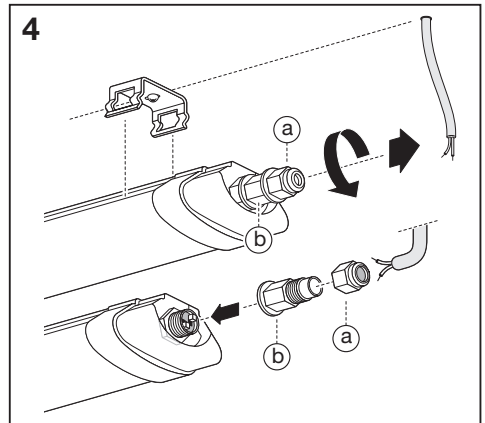
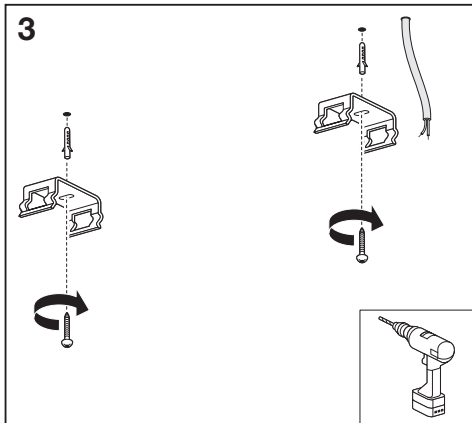
	L	W	H ₁	H ₂
VALUE 0.6M	715	53	35	40
VALUE 1.2M	1245	53	35	40
VALUE 1.5M	1525	53	35	40

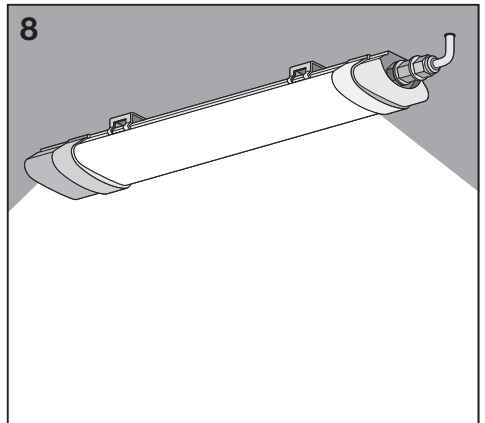
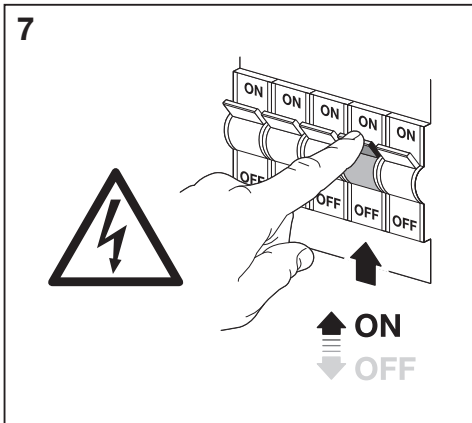
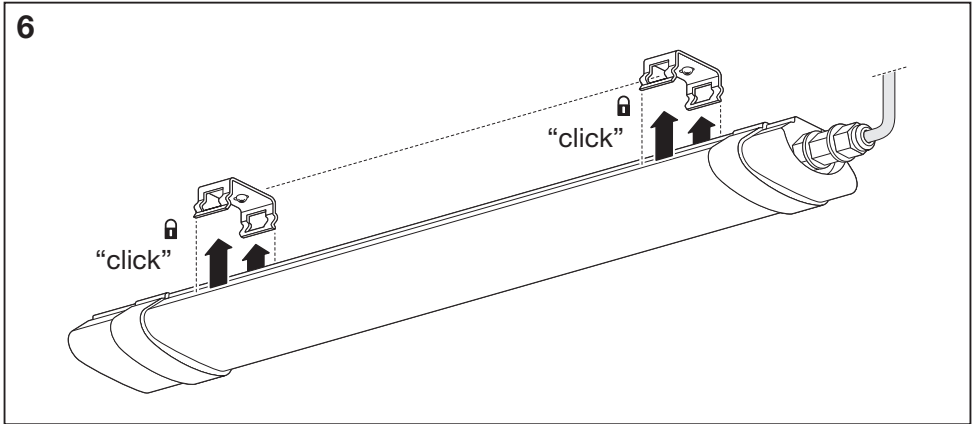
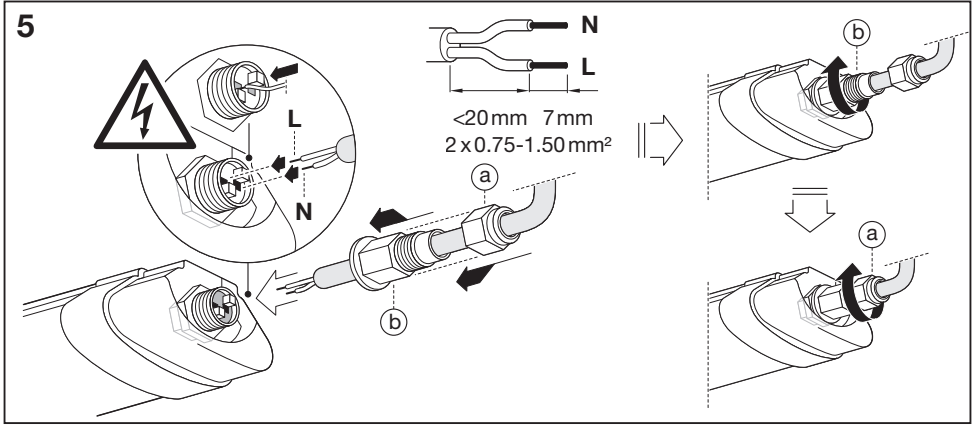


2

xxx±xx mm

	xxx	xx
VALUE 0.6M	370	±10
VALUE 1.2M	880	±10
VALUE 1.5M	1150	±10







C10449057
G11071919
22.03.2019



LEDVANCE GmbH
Steinerne Furt 62
86167 Augsburg, Germany
www.ledvance.com