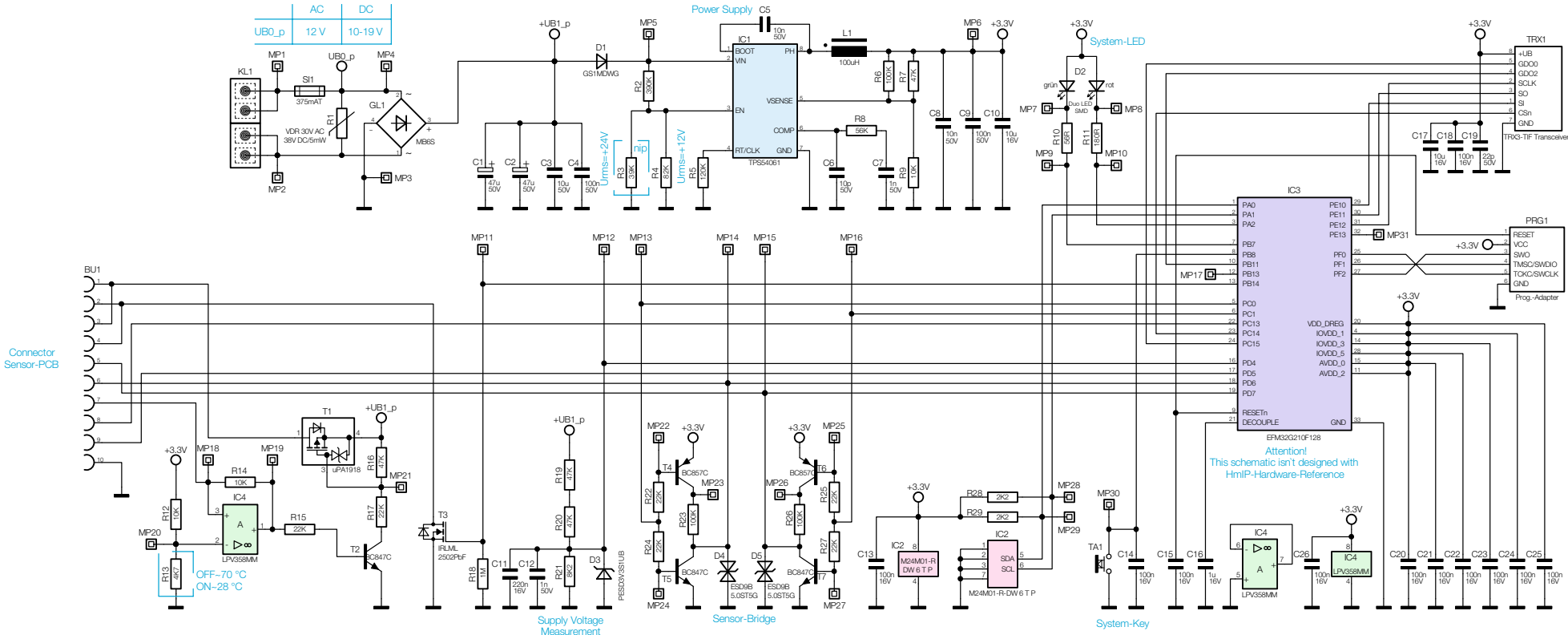


	AC	DC
UB0_p	12 V	10-19 V



Connector  
Sensor-PCB

Supply Voltage  
Measurement

Sensor-Bridge

System-Key

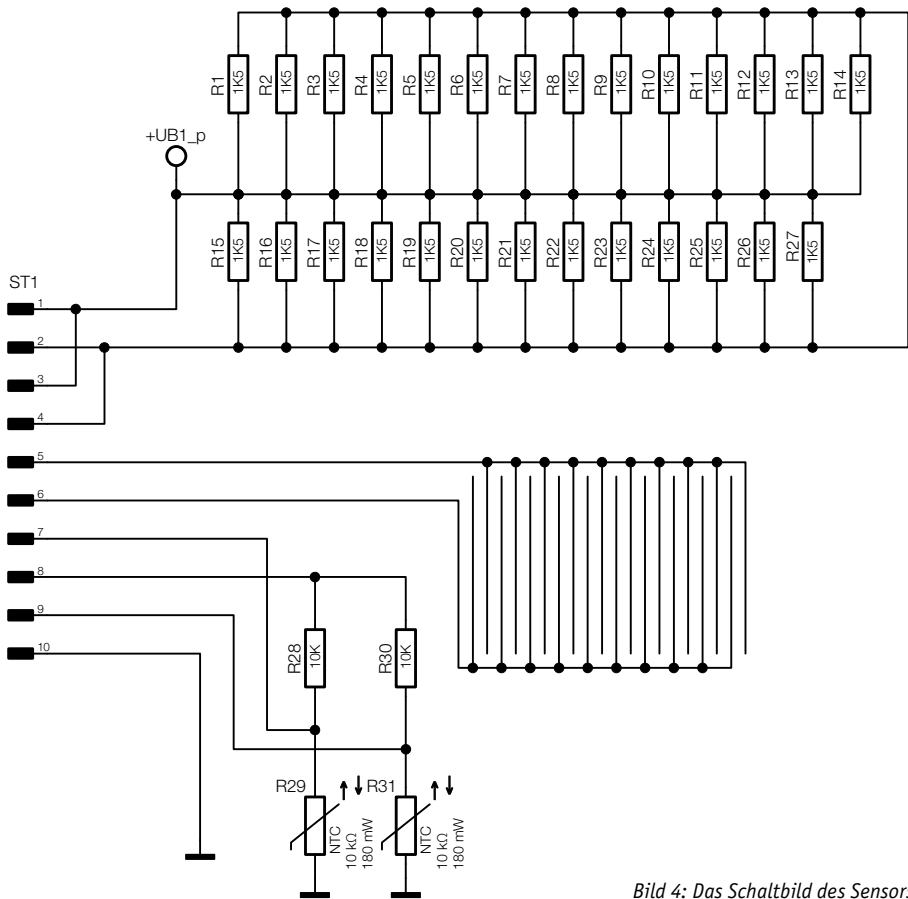


Bild 4: Das Schaltbild des Sensors