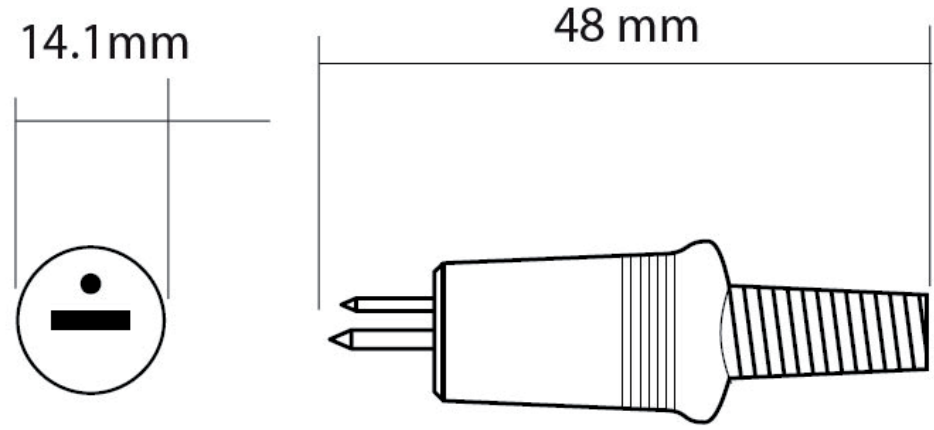


	REVISED	DRAWN	APPROVED
①			



Lautsprechernormstecker zum Schrauben  
*Speaker plug, screw type*



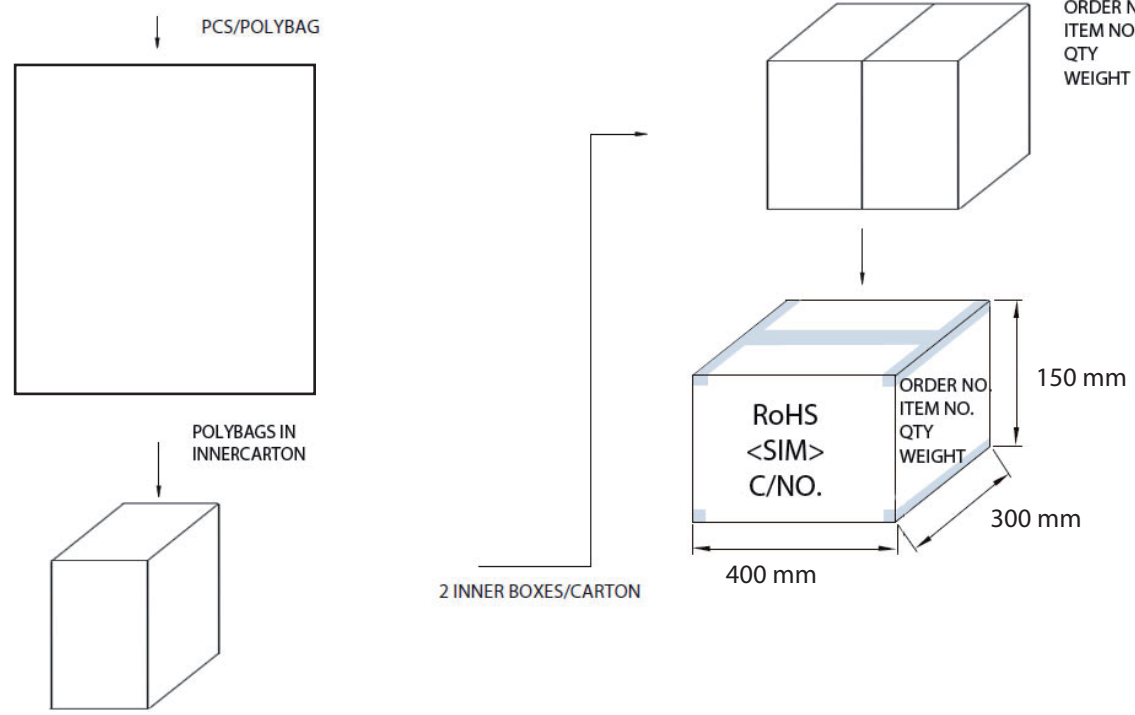
						PART NO: <b>AP 54030</b>	
DESCRIPTION: SPEAKER PLUG							
SIZE	A4	DATE		CHECKED		⊕	TOLERANCES UNLESS OTHERWISE STATED
UNIT	MM	DRAWN		APPROVED			
SCALE	NTS	C.MOTZEK			DATE: 15.09.2010		



**S-Conn** Handels GmbH  
 Am Mühlberg 8  
 91477 Markt Bibart  
 Tel. 09162/98938 - 0  
 Fax 09162/98938 - 20

e-mail: [info@s-conn.de](mailto:info@s-conn.de)  
 web: [www.s-conn.de](http://www.s-conn.de)

	REVISED	DRAWN	APPROVED
①			



**NOTES:**

Connectors must be inside Cable Rolling

Only use strong cartons with printed letters - handwritten NOT allowed !

ART.NO.		PACKING
AP 54030		100 pcs in polybag than 1000 pcs Innercarton / 2000 pcs Export



**S-Conn** Handels GmBH  
 Am Mühlberg 8  
 91477 Markt Bibart  
 Tel. 09162/98938 - 0  
 Fax 09162/98938 - 20

e-mail: [info@s-conn.de](mailto:info@s-conn.de)  
 web: [www.s-conn.de](http://www.s-conn.de)

						PART NO: <b>AP 54030</b>	
DESCRIPTION: SPEAKER PLUG							
SIZE	A4	DATE		CHECKED		⊕	TOLERANCES UNLESS OTHERWISE STATED
UNIT	MM	DRAWN		APPROVED			
SCALE	NTS	C.MOTZEK			DATE: 15.09.2010		