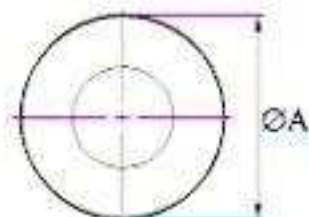
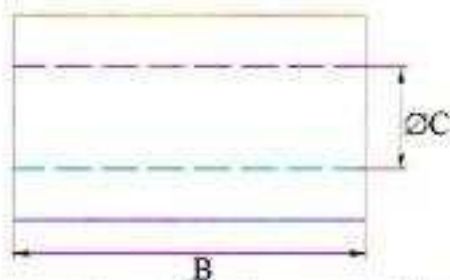


ELV: 21780

SPECIFICATION FOR APPROVAL

CUSTOMER NAME:		REV NO:	A
DESCRIPTION:	FERRITE CORE	PAGE NO:	Page 1 of 3
PART NO:	PA-182510002	DATE:	2010/10/25

1. CONFIGURATIONS & DIMENSIONS. (UNIT: mm)



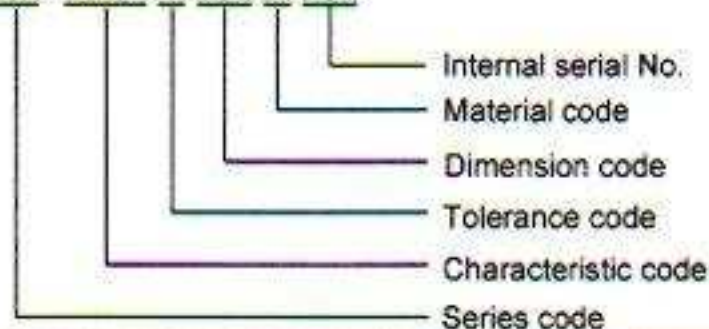
TYPE	ØA	B	ØC	D	E	F	G
DIM	18.6±0.4	25.0±0.7	10.2±0.4				

2. ELECTRICAL MEASUREMENTS.

NO	IMPEDANCE(Ω) @25MHZ	IMPEDANCE(Ω) @100MHZ		
SPEC	60MIN	100MIN		

3. PRODUCT IDENTIFICATION

XX -XXX X XX X XX



TOLERANCE CODE:

- J:±5%
- K:±10%
- L:±15%
- M:±20%
- N:±30%

4. MATERIAL LIST

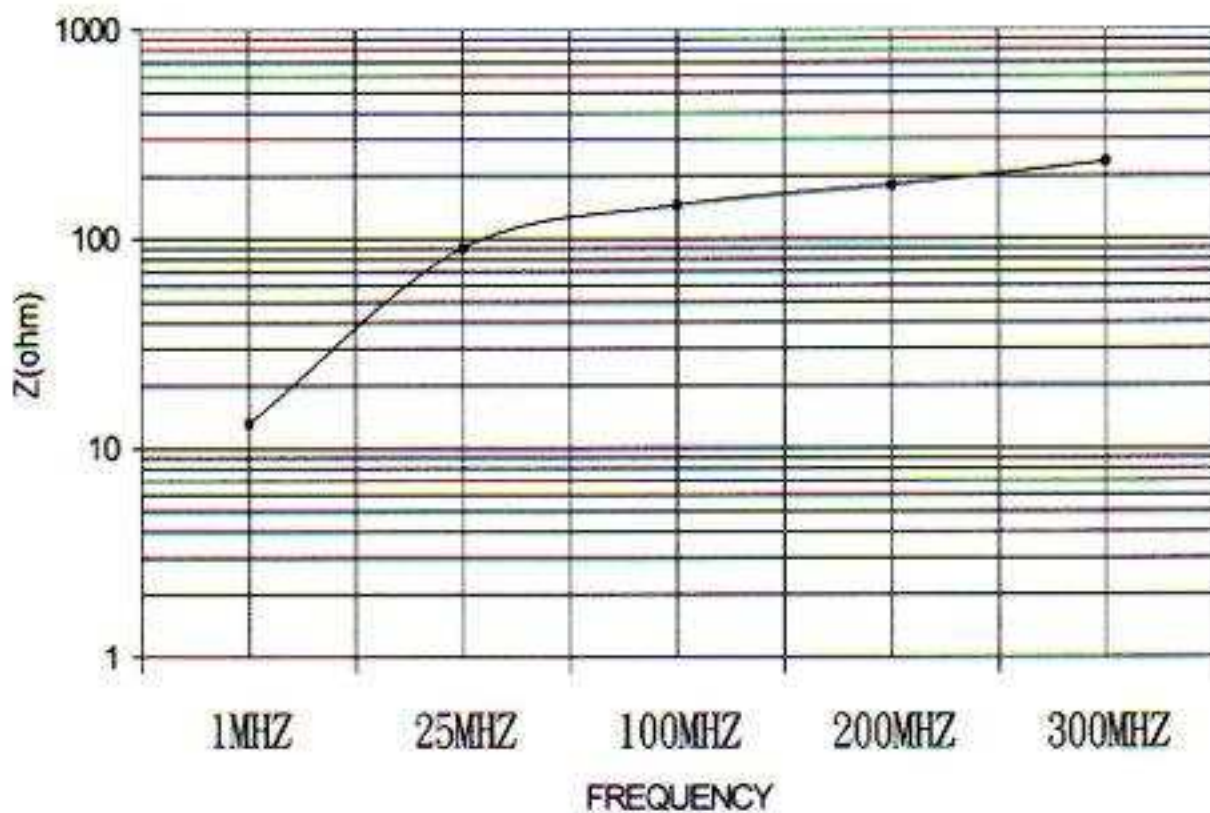
NO	ITEM	DESCRIPTION	SUPPLIERS	UL NO
1	CORE	BRH 17.5*28.5*9.5	HORNG YIH ELECTRONICS CO., Ltd TAK Ferrite CO., LTD. OR EQU	

APPROVED BY	CHECKED BY	DRAWN BY
Carl chao Jul 6 2006	Zhou Jianjun Jul 6 2006	Hu Jianjun Jul 6 2006

ELN=Z1780

CUSTOMER NAME:		REV NO:	A
DESCRIPTION:	FERRITE CORE	PAGE NO:	Page 3 of 3
PART NO:	PA-182510002	DATE:	2010/10/25

6. TEST CURVE FOR PREPRODUCTION SAMPLES



APPROVED BY	CHECKED BY	DRAWN BY
Carl chao Jul 6 2006	Zhou Jianjun Jul 6 2006	Hu Jianjun Jul 6 2006

E2V=21780

TRIO**SPECIFICATION FOR APPROVAL**

CUSTOMER NAME:		REV NO:	A
DESCRIPTION:	FERRITE CORE	PAGE NO:	Page 2 of 3
PART NO:	PA-182510002	DATE:	2010/10/25

5. TEST DATA

TEST ITEM	Z ₁	Z ₂	∅A (m/m)	B (m/m)	∅C (m/m)	
CON.	25MHZ	100MHZ				
SPEC	60Ω MIN	100Ω MIN	18.6±0.4	25.0±0.7	10.2±0.4	
1	91.3	144.6	18.92	25.38	10.45	
2	91.9	145.7	18.92	25.34	10.43	
3	91.5	145.5	18.90	25.42	10.42	
4	92.7	145.4	18.91	25.43	10.42	
5	92.5	146.7	18.92	25.36	10.43	
6	91.3	146.8	18.91	25.42	10.42	
7	91.8	146.7	18.90	25.37	10.43	
8	92.3	145.7	18.92	25.42	10.45	
9	91.8	146.6	18.91	25.43	10.42	
10	92.5	146.8	18.91	25.42	10.43	
X	91.96	146.05	18.912	25.399	10.43	
R	1.4	2.2	0.02	0.09	0.03	

TEST INSTRUMENTS

<input checked="" type="checkbox"/> IMPEDANCE ANALYZER	HP 4286A
<input type="checkbox"/> MULTIMETER	HM 9461L
<input type="checkbox"/> NETWORK/ SPECTRUM ANALYZER	HP 4195A
<input type="checkbox"/> LCR METER	CH502AC, CH3302(CH=ZEN TECH)
<input type="checkbox"/> BIAS CURRENT SOURCE	CH 1320, CH 1320S
<input type="checkbox"/> LABORATORY DC POWER SUPPLY	HP 4291A, HP 4338A

APPROVED BY	CHECKED BY	DRAWN BY
Carl chao Jul 6 2006	Zhou Jianjun Jul 6 2006	Hu Jianjun Jul 6 2006