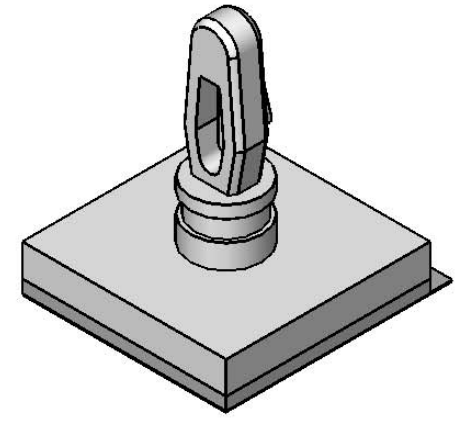
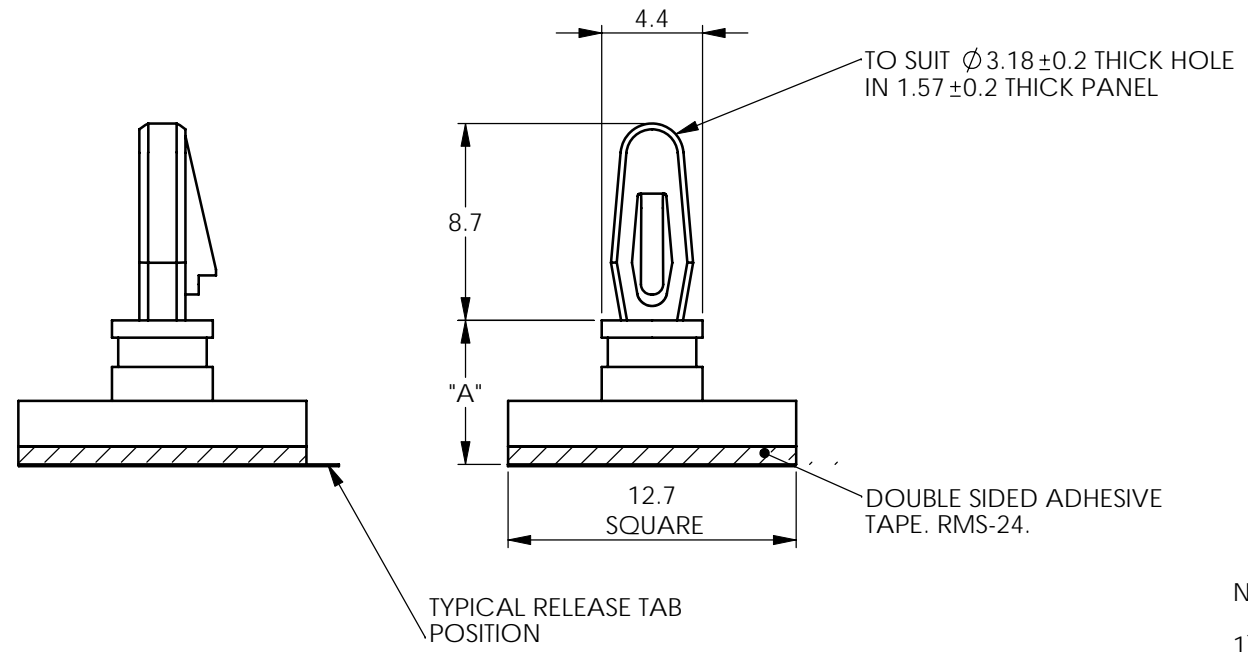


REV.	MODIFICATION.	DATE	DRN
01	ECN2008-007	10/01/08	SF
02	CO2010267	07/07/08	SF
03	CO2010618	02/04/09	SF
04	CO2010629	17/04/09	SF



NOTE:

- ADHESIVE MATERIAL:
ACRYLIC ADHESIVE, PE FILM LINER(RMS-24).
- THE COLOUR OF THE ADHESIVE LINER MAY VARY. THIS THIS WILL NOT AFFECT THE TECHNICAL PROPERTIES OF THE PART.

PART NUMBER	"A" DIM	MATERIAL	
LCBSBM-3-01A2-RT	4.8	NYLON 6/6 UL94-V2 (RMS-01)	
LCBSBM-4-01A2-RT	6.4		
LCBSBM-5-01A2-RT	7.9		
LCBSBM-6-01A2-RT	9.5		
LCBSBM-7-01A2-RT	11.1		
LCBSBM-8-01A2-RT	12.7		
LCBSBM-9-01A2-RT	14.3		
LCBSBM-10-01A2-RT	15.9		
LCBSBM-3-19A2-RT	4.8		NYLON 6/6 UL94-V0 (RMS-19)
LCBSBM-4-19A2-RT	6.4		
LCBSBM-5-19A2-RT	7.9		
LCBSBM-6-19A2-RT	9.5		
LCBSBM-7-19A2-RT	11.1		
LCBSBM-8-19A2-RT	12.7		
LCBSBM-9-19A2-RT	14.3		
LCBSBM-10-19A2-RT	15.9		

INFORMATION CONTAINED IN THIS DOCUMENT IS CONFIDENTIAL TO RICHCO INTERNATIONAL Co. Ltd. AND MAY NOT BE DISCLOSED OR REPRODUCED IN WHOLE OR PART WITHOUT THEIR WRITTEN CONSENT.

ALL DIMENSIONS IN mm
GENERAL TOLERANCES ± 0.25
UNLESS OTHERWISE STATED
1 DECIMAL PLACE ± 0.25
2 DECIMAL PLACES ± 0.10
ANGULAR $\pm 1^\circ$

THIRD ANGLE

MATERIAL: SEE TABLE COLOUR: NATURAL

DESCRIPTION: LOCKING CIRCUIT BOARD SUPPORT ON BASE MINITURE PART No: SEE TABLE

DRG No: 132-5002 NPR No: N/A Mass:(g) 0.8 SHEET SIZE A4

DRN SF DATE 11/01/08 CHKD TC DATE 11/01/08 SCALE NTS SHEET No. 1 OF 1