

User manual

English - Professional Weather station W830W-----Page

2-34

Brugervejledning

Danish - Ventus vejrstation W830W -----Page

35-65

Käyttöohje

Finnish - SÄÄASEMA AMMATTILAISKÄYTTÖÖN W830W

----- Sivu 66-94

Användarhandbok

Swedish - Ventus väderstation W830W -----Sidan

95-124

Benutzerhandbuch

German - PROFESSIONELLE WETTERSTATION W830W

-----Seite 125-158

PROFESSIONAL WEATHER STATION

Operation Manual

Table of Contents

1. Introduction	5
2. Warnings and Cautions	5
3. Quick Start Guide	5
4. Pre-Installation Checkout and Site Survey	7
4.1 Pre Installation Checkout	7
4.2 Site Survey	7
5. Setting Started	7
5.1 Contents	7
5.2 Sensor Set Up	8
5.2.1 Install wind vane	9
5.2.2 Install wind speed	9
5.2.3 Install Batteries	10
5.2.4 Mount outdoor sensor	11
5.2.5 Reset Button and Transmitter LED	11
5.3 Best Practices for Wireless Communication	12


5.4 Display console	13
6. Display Console Operation	14
6.1 Screen Display	14
6.2 Initial Display Console Set Up.....	15
6.3 Key function	16
6.4 Setting mode	17
6.4.1 BEEP.....	17
6.4.2 MAX/MIN Daily	18
6.4.3 DST(daylight saving time)	18
6.4.4 Time zone	18
6.4.5 Time / Date	18
6.4.6 Pressure	19
6.4.7 Light.....	19
6.4.8 Temperature	20
6.4.9 Wind speed	20
6.4.10 Rain	20
6.4.11 Moon phase	21
6.5 Alarm mode	21
6.5.1 Display of Alarm value.....	21
6.5.2 Alarm mode setting.....	22
6.5.3 Alarm Setting Order	22
6.6 Max/min mode	23
6.7 Calibration mode	24
6.7.1 Calibration Order	24
6.8 Other Features	25
6.8.1 Factory Reset/Clear Memory	25
6.8.2 Backlight.....	25
6.8.3 Tendency indicators.....	25


6.8.4 Wireless Signal Strength Indicator	26
6.8.5 Weather forecast	26
6.8.6 Snooze	26
7. WIFI connection setting on mobile	27
7.1 Weather server.....	27
7.2 Connecting the Weather Station Console to WiFi	28
7.3 Registering with WeatherUnderground.com, WeatherBug.com and WeatherCloud.net.....	33
8.Glossary of Terms.....	36
9. Specification	39
10. Power Consumption	40
11. Maintenance	40
12. Troubleshooting Guide	41

1. Introduction

Thank you for your purchase of the Solar Powered Wireless WiFi Weather Station. The following user guide provides step by step instructions for installation, operation and troubleshooting.

2. Warnings and Cautions

 **Warning:** Any metal object may attract a lightning strike, including your weather station mounting pole. Never install the weather station in a storm.

 **Warning:** Installing your weather station in a high location may result in injury or death. Perform as much of the initial check out and operation on the ground and inside a building or home. Only install the weather station on a clear, dry day.

3. Quick Start Guide

Although the manual is comprehensive, much of the information contained may be intuitive. In addition, the manual does not flow properly because the sections are organized by components.

The following Quick Start Guide provides only the necessary steps to install, operate the weather station, and upload to the internet, along with references to the pertinent sections.

Required		
Step	Description	Section
1	Assemble and power up the Y shape sensor	Fejl! Henvisningsskilde ikke fundet. – 5.2.3
2	Power up the display console and synchronize with Y shape sensor	Fejl! Henvisningsskilde ikke fundet.3
5	Mount the sensor array	Fejl! Henvisningsskilde ikke fundet.
3	Set date and time on console	Fejl! Henvisningsskilde ikke fundet.
4	Calibrate the relative pressure to sea-level conditions (local airport) on console	Fejl! Henvisningsskilde ikke fundet.7
6	Reset the rain to zero on console	6.4.10
Optional		
7	Configure WiFi	Fejl! Henvisningsskilde ikke

		fundet.
8	Register and upload to Weather Server	8

4. Pre-Installation Checkout and Site Survey

4.1 Pre Installation Checkout

Before installing your weather station in the permanent location, we recommend operating the weather station for one week in a temporary location with easy access. This will allow you to check out all of the functions, insure proper operation, and familiarize you with the weather station and calibration procedures. This will also allow you to test the wireless range of the weather station.

4.2 Site Survey

Perform a site survey before installing the weather station. Consider the following:

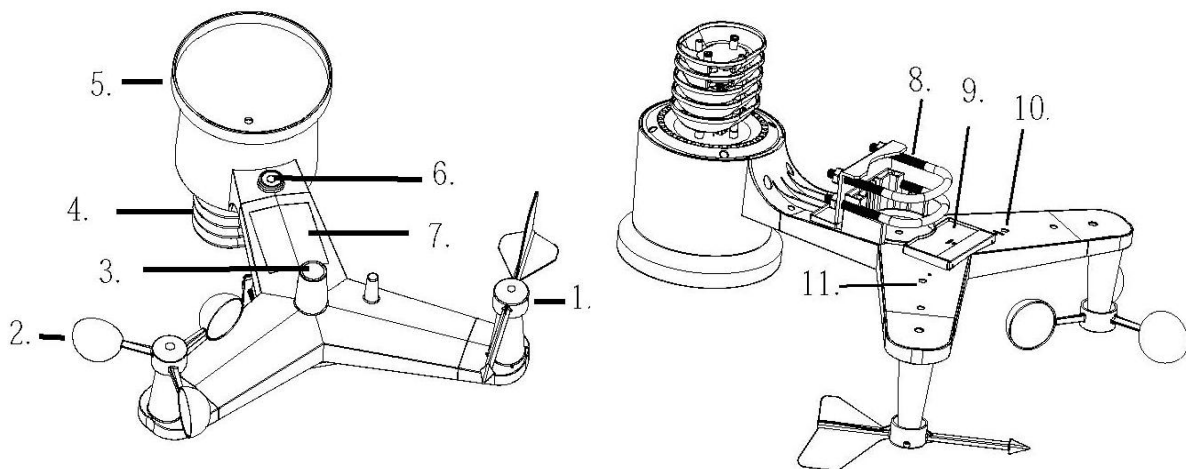
1. You must clean the rain gauge every few months and change the rechargeable batteries every 2-3 years. Provide easy access to the weather station.
2. Avoid radiant heat transfer from buildings and structures. In general, install the sensor array at least 5' from any building, structure, ground, or roof top.
3. Avoid wind and rain obstructions. The rule of thumb is to install the sensor array at least four times the distance of the height of the tallest obstruction. For example, if the building is 20' tall, and the mounting pole is 6' tall, install $4 \times (20 - 6) = 56'$ away.
4. Wireless Range. The radio communication between receiver and transmitter in an open field can reach a distance of up to 330 feet, providing there are no interfering obstacles such as buildings, trees, vehicles, high voltage lines. Wireless signals will not penetrate metal buildings. Under most conditions, the maximum wireless range is 100'.
5. Radio interference such as PCs, radios or TV sets can, in the worst case, entirely cut off radio communication. Please take this into consideration when choosing console or mounting locations. Make sure your display console is at least five feet away from any electronic device to avoid interference.

5. Setting Started

5.1 Contents

QTY	Item
1	Receiver
1	Thermo-hygrometer-barometer transmitter
1	Y shape outdoor sensor(including 1xThermo-hygrometer / 1xRain Gauge / 1xTransmitter / 1x pole mounting clamp / 2xU-bolt / 4x screws , assembled)
1	Wind Vane
1	Wind speed sensor
1	Rain hopper
1	5V DC Adaptor
1	User manual

5.2 Sensor Set Up



1. Wind Vane
2. Wind Speed Sensor
3. UV sensor/ Light sensor
4. Thermo-hygro sensor
5. Rain collector
6. Bubble level
7. Solar panel

8. U-Bolt
9. Battery compartment
10. Reset button
11. LED Indicator: light on for 4s if the unit power up. Then the LED will flash once every 16 seconds (the sensor transmission update period).

5.2.1 Install wind vane

Push the wind vane into the shaft. as shown in figure 1.

Tighten the set screw with as shown in figure 2. Make sure the wind vane spin freely.

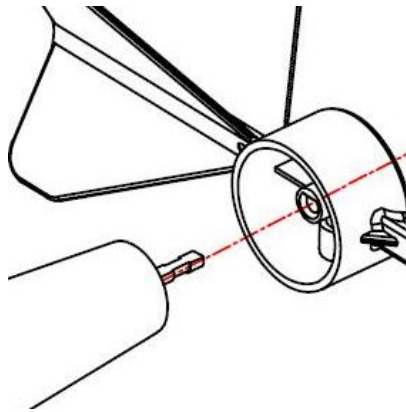


Figure 1

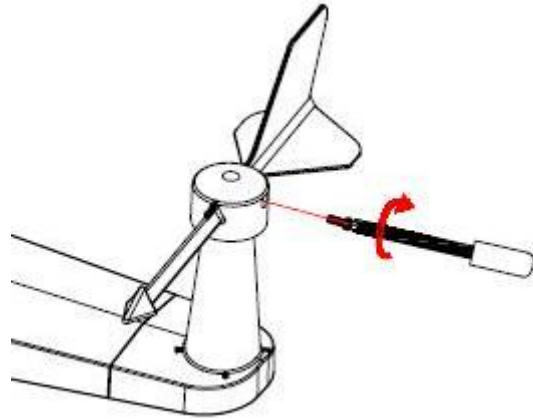


Figure 2

There are four alphabet letter of “N”, “E”, “S” and “W” around the wind direction, representing for the direction of North, East, South and West. Wind direction sensor has to be adjusted so that the directions on the sensor are matching with your real location. Permanent wind direction error will be introduced when the wind direction sensor is not positioned correctly during installation.

5.2.2 Install wind speed

Push the wind speed into the shaft. as shown in figure 4.

Tighten the set screw with as shown in figure 5. Make sure the wind speed spin freely.

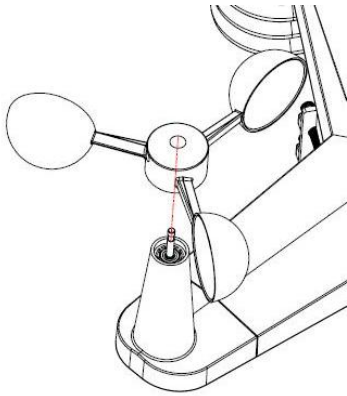


Figure 4

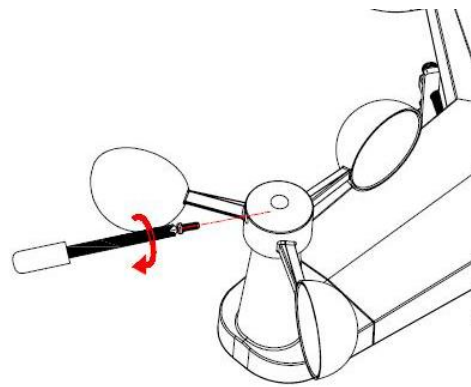


Figure 5

5.2.3 Install Batteries

Insert 3XAA rechargeable batteries in the battery compartment. The LED indicator on the back of the transmitter will turn on for four seconds and normally flash once every 16 seconds (the sensor transmission update period).

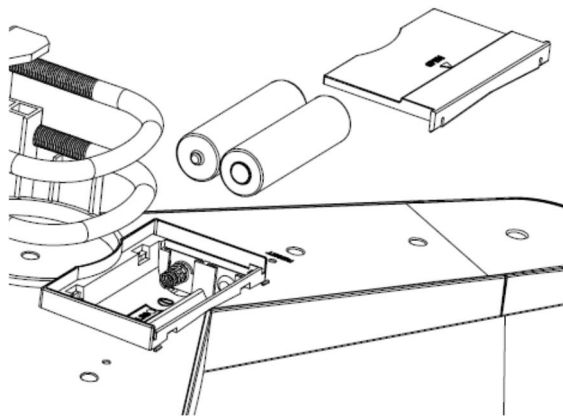


Figure 6

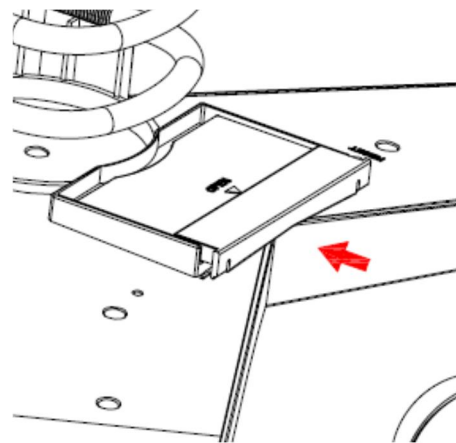


Figure 7

Note: If no LED light up or is lighted permanently, make sure the battery is inserted the correct way or a proper reset is happened. Do not install the batteries backwards. You can permanently damage the thermo-hygrometer.

5.2.4 Mount outdoor sensor

Mounting outdoor sensor to your mounting pole (purchased separately) with the U-bolts as shown in Figure 6.

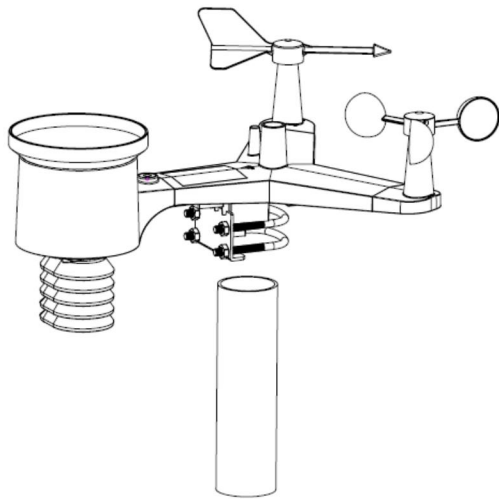


Figure 8

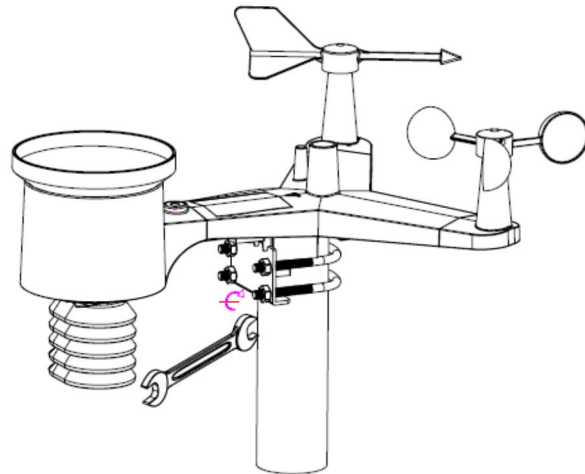


Figure 9

Use the bubble level beside the rain sensor as a guide to verify that sensors are level.

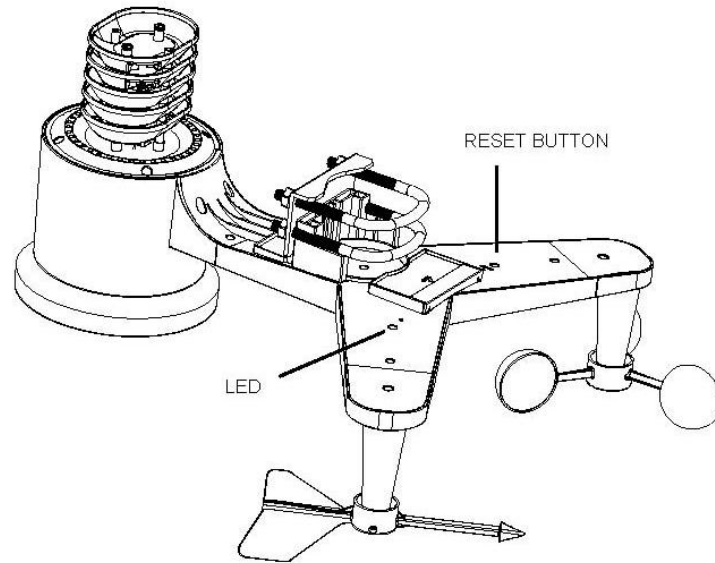
5.2.5 Reset Button and Transmitter LED

In the event the sensor array is not transmitting, reset the sensor array.


With an open ended paperclip, press and hold the **RESET BUTTON** for three seconds to completely discharge the voltage.

Take out the batteries and wait one minute, while covering the solar panel to drain the voltage.

Put batteries back in and resynchronize with console by powering down and up the console with the sensor array about 10 feet away.



5.3 Best Practices for Wireless Communication

 **Note:** To insure proper communication, mount the remote sensor(s) upright on a vertical surface, such as a wall. **Do not lay the sensor flat.**

Wireless communication is susceptible to interference, distance, walls and metal barriers. We recommend the following best practices for trouble free wireless communication.

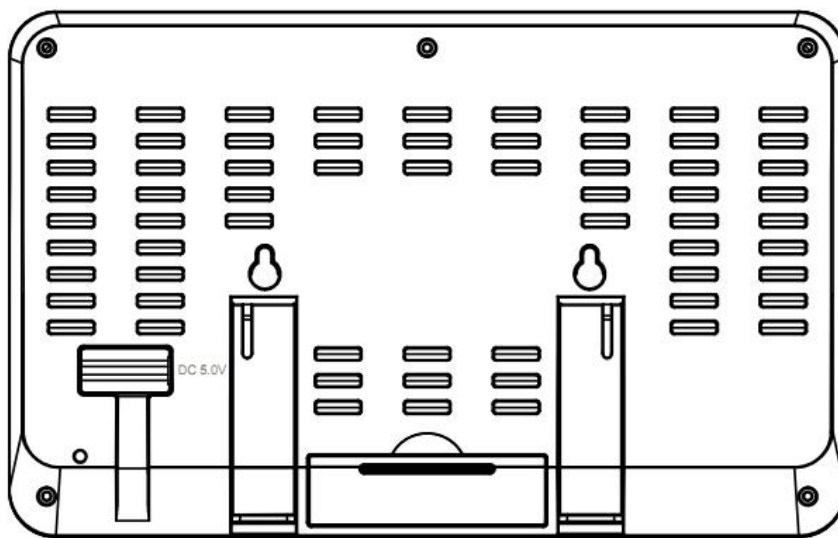
1. **Electro-Magnetic Interference (EMI).** Keep the console several feet away from computer monitors and TVs.
2. **Radio Frequency Interference (RFI).** If you have other 433 MHz devices and communication is intermittent, try turning off these other devices for troubleshooting purposes. You may need to relocate the transmitters or receivers to avoid intermittent communication.
3. **Line of Sight Rating.** This device is rated at 300 feet line of sight (no interference, barriers or walls) but typically you will get 100 feet maximum under most real-world installations, which include passing through barriers or walls.
4. **Metal Barriers.** Radio frequency will not pass through metal barriers such as aluminum siding. If you have metal siding, align the remote and console through a window to get a clear line of sight.

The following is a table of reception loss vs. the transmission medium. Each “wall” or

obstruction decreases the transmission range by the factor shown below.

Medium	RF Signal Strength Reduction
Glass (untreated)	5-15%
Plastics	10-15%
Wood	10-40%
Brick	10-40%
Concrete	40-80%
Metal	90-100%

5.4 Display console

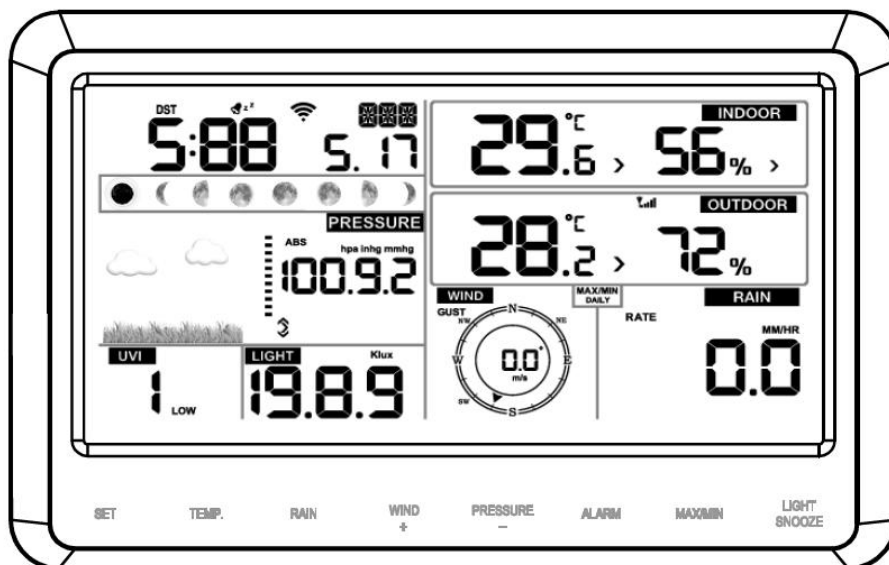


1. Insert the 5V AC adaptor into the back of the display console

Note: Place the outdoor sensor array about 5 to 10 feet from the display console and wait several minutes for the remote sensors to synchronize with the display console.

2. Insert 3 AAA batteries into the display console (optional).
3. Keep both sensor and the display console together for 15 minutes to lock in the sensor signals.
4. (Optional)-Spin the wind cups to simulate wind speed. Take the sensor to the sink and slowly drip water into the rain bucket to simulate rain.

5. After 15 minutes, follow the mounting instructions for proper placement of sensors.

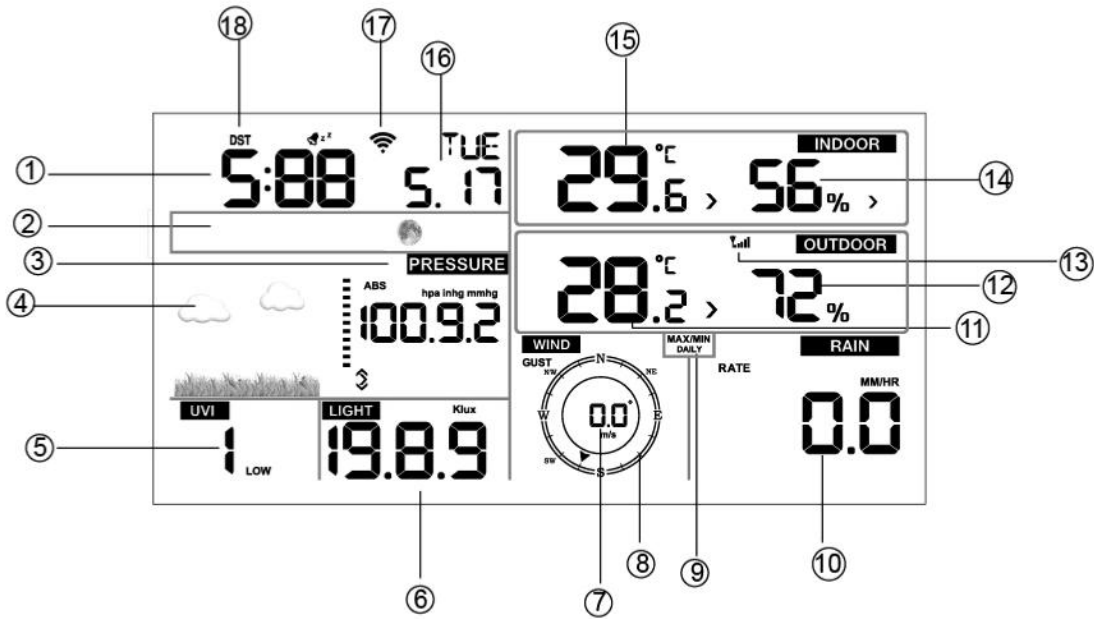


Note: Your display console should have readings in all sections. Wind and Rain will show 0's (connected) until wind or rain occur or are simulated.

Note: If you only use battery to power up display console, you must press LIGHT/SNOOZE key to light up the LCD before press any other key.

6. Display Console Operation

6.1 Screen Display



1. Time	10. Rain fall
2. Moon phase	11. Outdoor temperature
3. Barometric Pressure	12. Outdoor humidity
4. Weather forecast	13. RF icon
5. UV index	14. Indoor humidity
6. Light	15. Indoor temperature
7. Wind speed	16. Date
8. Wind direction	17. WIFI icon
9. MAX/MIN Daily	18. DST

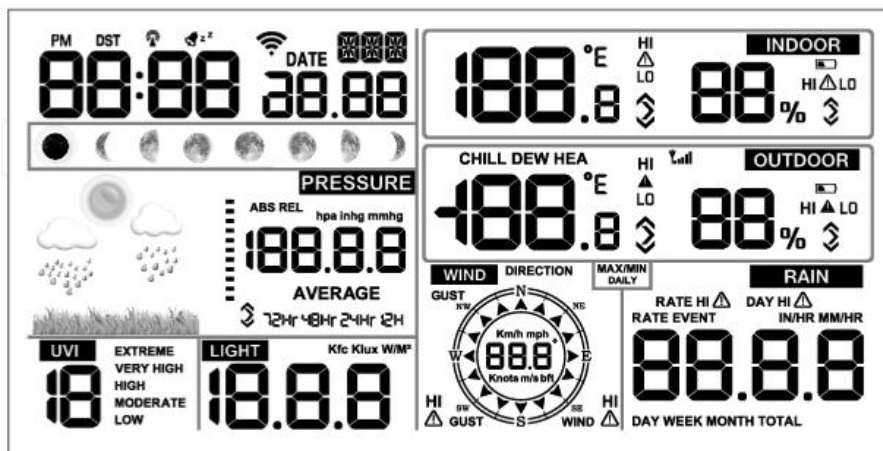
6.2 Initial Display Console Set Up

Connect the power adapter to power up the display console.

The unit will show software version number 2 seconds after power reset.

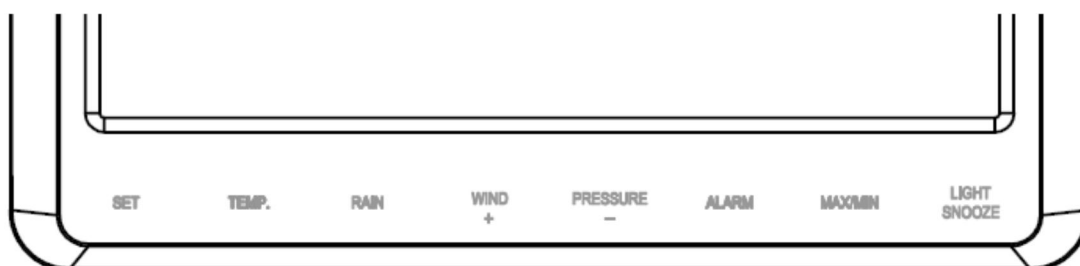


The unit will turn on all segments of the LCD for 3 seconds after power reset, the unit will start to register the outdoor channel for 3 minutes.



6.3 Key function

The console has eight keys for easy operation



Key	Description
SET	Hold this key to enter setting mode
TEMP.	Press this key to view wind Chill, Heat Index, Dew Point Temperature Press the TEMP key 5s, will register new transmitter.
RAIN	Press this key to view Rain Rate, event, Rain Day, Rain Week, Rain Month, and Rain total Press the RAIN key 2s to reset current display rain
WIND +	Press this key to view wind/gust and wind direction

PRESSURE	Press this key to view Absolute Pressure average of 12hr, 24hr, 48hr and 72hr Press and hold 2s this key to view the absolute and relative pressure
ALARM	Press this key to view the alarm value of Temperature / Humidity/rain rate/rain day/wind
MAX/MIN	Press this key to view the MAX/MIN value of Temperature / Humidity/rain rate/rain day/wind/UVI/LIGHT/Absolute Pressure
LIGHT /SNOOZE	Press this key to adjust LCD backlight brightness: HI/MID/OFF

Note:

- 1) When power on, press **SET** key to reset the weather station and clear all records memory, and clears all user settings to default.
- 2) When power on, press **TEMP.** key to skip receive RF signal.
- 3) In Setting mode,pressing **WIND/+** or **PRESSURE/-** key select the unit or scrolls the value;keeping press and holding **WIND/+** or **PRESSURE/-** key for 2 second will increase/decrease digits in great steps.
- 4) The setting procedure can be exited at any time by either pressing the **LIGHT /SNOOZE** key or waiting for the 30-second time-out to take effect.

6.4 Setting mode

Pressing the **SET** key for 2 seconds to enter setting model,the basic settings can now be performed in the following order:

6.4.1 BEEP



- Press the **SET** key for 2 seconds to select the beep section, ON/OFF section digits will

start flashing, press the **WIND/+** or **PRESSURE/-** key to select ON or OFF.

“BEEP ON” will make the Beep sound on every key press. If you do not want the beep sound to be heard, select “BEEP OFF”

6.4.2 MAX/MIN Daily



- Press the **SET** key twice to select the **MAX/MIN Daily** section, ON/OFF section digits will start flashing, press the **WIND/+** or **PRESSURE/-** key to select ON or OFF . (Default is ON, ON: clear at 0:00 every day).

6.4.3 DST(daylight saving time)



- Press the **SET** key third time to select the **Daylight saving time** section, ON/OFF section digits will start flashing, press the **WIND/+** or **PRESSURE/-** key to select ON or OFF . (default ON, only WWVB)

6.4.4 Time zone



- Press the **SET** key fourth time to select the **Time zone** section, time zone section digits will start flashing, press the **WIND/+** or **PRESSURE/-** key to select the value . (level: -12 to +12, default: -5)

6.4.5 Time / Date



- Press the **SET** key fifth time to select the 12/24 hour format section (default: 24hr).
- Press the **SET** key sixth time to select the hour section.
- Press the **SET** key seventh time to select the minutes section.
- Press the **SET** key eighth time to select DD-MM or MM-DD format. (Default DD-MM format)
- Press the **SET** key ninth time to select year.
- Press the **SET** key tenth time to select month.
- Press the **SET** key again time to select day.

Note: Press the **WIND/+** or **PRESSURE/-**-key to set the value.

Note: If user to change minute value, second will auto clear to 0.

6.4.6 Pressure



- Press the **SET** key 12th to select ABS. Pressure unit (hpa, mmhg or inhg;default: hpa).
- Press the **SET** key 13th to select REL. Pressure value.

Note: Press the **WIND/+** or **PRESSURE/-** key to select the value.

Note: in normal mode,press and release the **PRESSURE/-** key to view the average of 12hr, 24hr, 48hr and 72hr pressure. Press and hold 2s the **PRESSURE/-** key to view the absolute and relative pressure

6.4.7 Light



- Press the **SET** key 14th to select light unit (lux, fc, w/m2;default: w/m2).

6.4.8 Temperature



- Press the **SET** key 15th to select in/outdoor temperature unit (C or F;default: C).
- In normal model,press the **TEMP.** key to view wind Chill, Heat Index, Dew Point Temperature. Press the **TEMP.** key for 5 second, will register new transmitter.

Note: every 60 second the unit will measure indoor temperature, indoor humidity and pressure. If temperature is to lower than minimum range, will display --.-, if it is higher than highest range, will display --.-.

6.4.9 Wind speed



- Press the **SET** key 16th to select wind speed unit (km/h, mph, knots, m/s, bft;default: km/h).
- In normal mode,press and release the **WIND/+** key to view the wind, gust and wind direction.

6.4.10 Rain



- Press the **SET** key 17th to select rainfall unit (in/mm; default: mm).
- In normal mode,press and release the RAIN key to view rain of rate, event, day, week, month and total.
- Press the **RAIN** key for 2 seconds to reset current display rain.

Note:

- Reset week rain, will auto reset day rain
- Reset month rain, will auto reset week and day rain.
- Reset total rain, will auto reset month, week and day rain.

Note:

- Rain rate: the last 10 minutes rainfall multiplication 6.
- Rain event: when rainfall, begin the rain event, if one day (00:00-24:00) not rainfall or rainfall less 10 mm, the rain event is over.
- Day: defined by calendar day i.e. 0:00 - 24:00 with current date.
- Week: defined by calendar week i.e. Sunday – Saturday.
- Month: defined by calendar Month i.e. January 1 - January 31.
- Total: running total since station was powered up

Note: the transmitter will send the wind speed, wind direction, rainfall every 16 second

6.4.11 Moon phase



- Press the **SET** key 18th to select Northern or Southern Hemisphere

6.5 Alarm mode

6.5.1 Display of Alarm value

- 1) Press and release **ALARM** key to display high alarm



2) Press **ALARM** key again to display low alarm

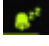




Note:

- Press **RAIN** key to select display rate or day rain alarm data.
- Press **WIND/+** key to select display wind or gust alarm data.
- Press **ALARM** key third time or press **LIGHT /SNOOZE** key back to normal mode

6.5.2 Alarm mode setting

- 1) Press and hold for 2 seconds **ALARM** key enter alarm setting mode:
- 2) Press the **WIND/+** or **PRESSURE/-** to arm/disarm alerts and adjust alert values.
- 3) Press the **SET** key to confirm & move to the next item.
- 4) Press the **ALARM** key to on/off the alarm

Note: when alert is triggered, the current triggering source  icon for time,  icon for high value and  icon for low value will be flashing, indicating alert is triggered.

Note: press **ALARM** key third time back to normal mode or press **LIGHT /SNOOZE** key back to normal mode.

6.5.3 Alarm Setting Order

- 1) Time alarm setting

- 2) Indoor high temperature setting
- 3) Indoor low temperature setting
- 4) Indoor high humidity setting
- 5) Indoor low humidity setting
- 6) Outdoor high temperature setting
- 7) Outdoor low temperature setting
- 8) Outdoor high humidity setting
- 9) Outdoor low humidity setting
- 10) High wind setting
- 11) High gust setting
- 12) Rain rate high setting
- 13) Rain day high setting

6.6 Max/min mode

6.6.1 Press and release **MAX/MIN** key to display MAX data



- Press **TEMP.** key to view wind chill, heat index and dew point max.
- Press **RAIN** key to view rain rate, rain day, rain week and rain month max.
- Press **WIND/+** to view wind and gust max.
- Press **PRESSURE/-** to hold 2 seconds to view pressure absolute and relative max.

6.6.2 Press again to display min data



- Press **TEMP.** key to view wind chill and dew point min.
- Press **PRESSURE/-** to hold 2 seconds to view pressure absolute and relative min.

Note: press and hold 2s MAX/MIN button to reset all max or min.

press **MAX/MIN** key third time back to normal mode or press **LIGHT /SNOOZE** key back to normal mode.

6.7 Calibration mode

Hold the **TEMP.** and **MAX/MIN** key together for 5 seconds to enter calibration mode.



- Press the **WIND/+** and **PRESSURE/-** key to adjust values.
- Press the **SET** key to confirm & move to the next item.
- Press the **ALARM** key to reset any adjusted value.
- Press the **LIGHT /SNOOZE** key at any time to exit.

6.7.1 Calibration Order

- 1) Indoor temperature offset calibrated (range +/-9F, default: 0 degrees)
- 2) Indoor humidity offset calibrated (range +/-9%)

- 3) Outdoor temperature offset calibrated (range +/-9F, default: 0 degrees)
- 4) Outdoor humidity offset calibrated (range +/-9%)
- 5) Absolute pressure offset calibrated (range +/-10hpa)
- 6) Wind direction offset calibrated (adjust by degree)
- 7) Wind speed factor adjust, default 100% (range 50% to 150%)
- 8) Rain factor adjust, default 100% (range 50% to 150%)

6.8 Other Features

6.8.1 Factory Reset/Clear Memory

- 1) When power on, press **TEMP.** key to skip receive RF signal.
- 2) When power on, full display after press **WIND/+** and **PRESSURE/-** key to reset the weather station and clear all records memory, and clears all user settings to default.
- 3) Press the **LIGHT /SNOOZE** key for 5 seconds, will register new transmitter.

6.8.2 Backlight (constant backlight requires operation with DC adaptor.

- 1) with AC adaptor.

Press **LIGHT /SNOOZE** key to change the LCD backlight brightness: HI/MID/OFF

- 2) without DC adaptor

In normal mode for 15 seconds without touch keys into sleep mode, the backlight will be closed, the touch keys will be disabled.

- 3) Hold the **LIGHT /SNOOZE** key in sleep mode or plug in the DC adapter wake up equipment. (You must hold the **LIGHT /SNOOZE** key waiting for backlight light to loosen the button)

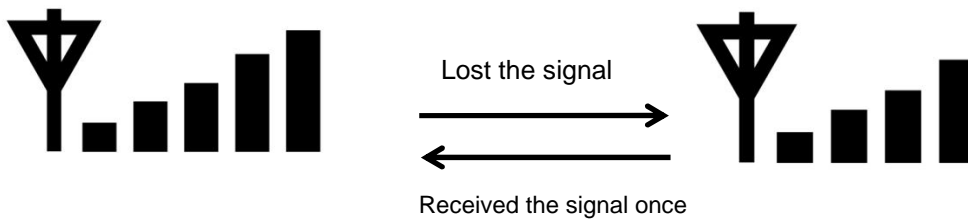
6.8.3 Tendency indicators

- 3 hrs comparison which changes on every ½ hour
- Eg. : At 3:00 - compare to 12:00 data; at 3:30 -compare to 12:30 etc

Tendency indicators		Humidity	Temperature	Pressure
↗	Rising	Rising > 3%	Rising \geq 1C/2F	Rising > 1hpa
→	Steady	Change \leq 3%	Change < 1C/2F	Change \leq 1hpa
↘	Falling	Falling > 3%	Falling \geq 1C/2F	Falling > 1hpa

6.8.4 Wireless Signal Strength Indicator

During the synchronization, it will reduce one signal segment if it has not received the signal once from the transmitter. It will increase one signal segment if it has received the signal once.



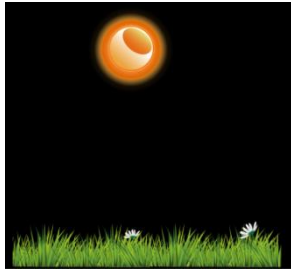
6.8.5 Weather forecast: Sunny, Partly sunny, Cloudy, Rainy, Stormy and Snowy

When Outdoor temperature is below 32 F (0 C) and the forecast is RAINY or STORMY, the LCD will display SNOWY.

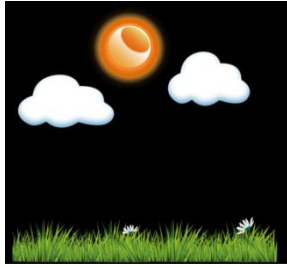
6.8.6 Snooze

When time alarming, press **LIGHT /SNOOZE** key to snooze time alarm mode, press other key exit snooze mode.

In snooze mode after 10 minutes the alarm again.



Sunny



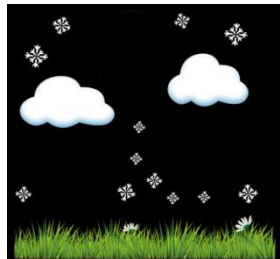
Partly sunny



Cloudy



Rainy



Snowy

7. WIFI connection setting on mobile

When connect to WIFI, not measuring the indoor temperature, and receive the indoor transmitter replace it.

If connect WIFI module, must power by DC, otherwise the WIFI not work.

WIFI only support upload the current data to weather server and time will be Internet time.

7.1 Weather server

The weather station sends data to two free hosting services:

Hosting Service	Website	Description
Weather Underground	WeatherUndeground.com	Weather Underground is a free weather hosting service that allows you to send and view your weather station data

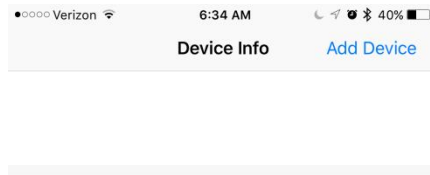
		real-time, view graphs and gauges, import text data for more detailed analysis and use iPhone, iPad and Android applications available at Wunderground.com. Weather Underground is a subsidiary of The Weather Channel and IBM.
		.
Weather Cloud	WeatherCloud.net	Weathercloud is a real-time weather social network formed by observers from around the world.

7.2 Connecting the Weather Station Console to WiFi

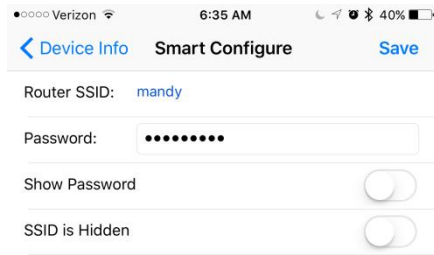
The WiFi feature only works when plugged into AC power due to higher energy requirements.

To connect the weather station to WiFi, you must first download the application from one of the following choices:

- Apple App Store
 - Google Play Store
1. From your mobile device, visit the Apple App Store or Google Play Store and search for the “**WS Tool**” application. Download this application to your mobile device.
 2. Run the weather station application, and select **Add Device**.



3. Make sure your mobile device is connected to your WiFi network. Enter the password for your router, and select **Save**.



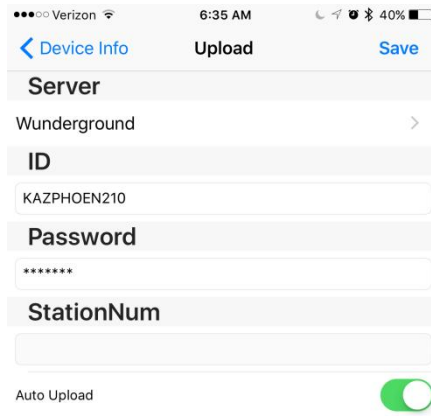
4. Reference below picture. If the WiFi icon is not flashing rapidly, (1) press and hold the **RAIN** and **ALARM** buttons at the same time for four seconds. (2) The WiFi icon will begin flashing rapidly, indicating the console is searching for your WiFi network.



5. Once the console has connected to your WiFi network, the devices Mac address and IP address will be displayed.



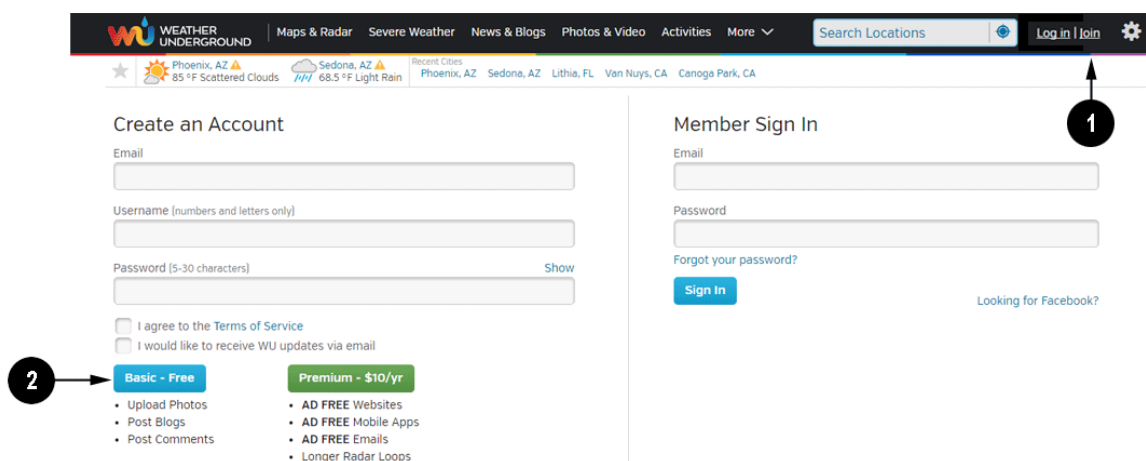
6. Enter your Wunderground.com and WeatherCloud.net Station ID, Password and StationNum (see Section 0).



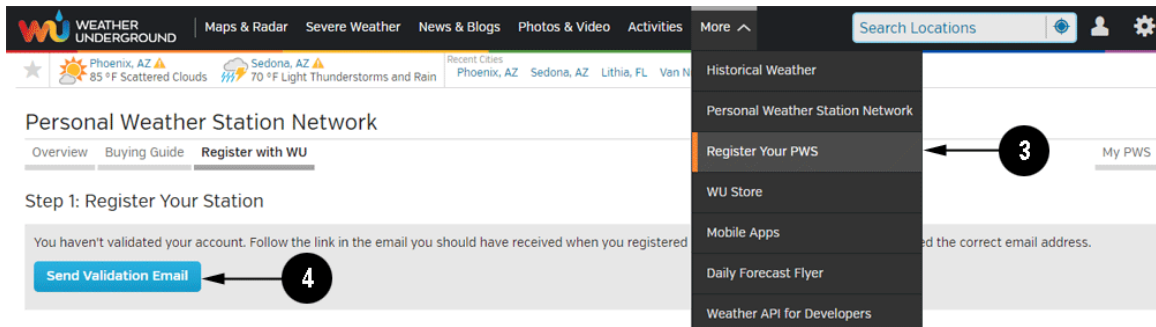
7.3 Registering with WeatherUnderground.com, WeatherCloud.net

7.3.1 WeatherUnderground.com

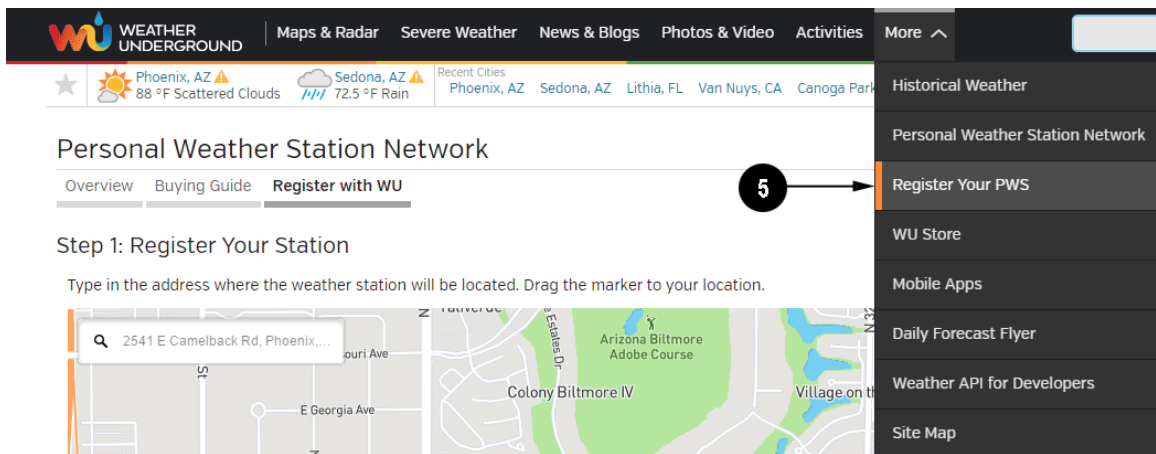
Visit Wunderground.com and select the **Join** link at the top of the page. Select the **Free** sign up option.



1. Select **More | Register Your PWS**.
2. Click **Send Validation Email**. Respond to the validation email from Wunderground (it may take a few minutes).



3. Select More | Register Your PWS again and enter all of the information requested.



4. After registering your station, make a note of the following:

- Station ID
- Station Key / Password

Enter the Station ID (ID), Station Key (Password) and Station Number (StationNum) into the Ambient Tool. Leave the StationNum field blank.

Following picture is an example, and your station ID and password will be different.

Congratulations. Your station is now registered with Wunderground!

You are almost done. Now go to your weather station software and add the following:

Your Station ID:

KAZPHOEN424

Your Station Key/Password:

mdreeley

Note: Your station ID will have the form: KSSCCCC###, where K is for USA station (I for international), SS is your state, CCCC is your city and ### is the station number in that city.

In the example above, KAZPHOEN424 is in the USA (K), State of Arizona (AZ), City of Phoenix (PHOEN) and #424.

7.3.3 WeatherCloud

1. Visit WeatherCloud.net and enter a Username, Email and Password.



2. Respond to the validation email from WeatherCloud (it may take a few minutes).

You have no devices.

 Create device

3. Select **Create Device** and enter your weather station information. After registering your station, make a note of the following:

- Weathercloud ID
- Key

Enter the Weathercloud ID (ID), Key (password) into the Ambient Tool. Leave the Station Number (StationNum) blank.

8. Glossary of Terms

Term	Definition
Absolute Barometric Pressure	Absolute pressure is the measured atmospheric pressure and is a function of altitude, and to a lesser extent, changes in weather conditions. Absolute pressure is not corrected to sea-level conditions. <i>Refer to Relative Barometric Pressure.</i>
Accuracy	Accuracy is defined as the ability of a measurement to match the actual value of the quantity being measured.
Barometer	A barometer is an instrument used to measure atmospheric pressure.
Calibration	Calibration is a comparison between measurements – one of known

Term	Definition
	<p>magnitude or correctness of one device (standard) and another measurement made in as similar a way as possible with a second device (instrument).</p>
Dew Point	<p>The dew point is the temperature at which a given parcel of humid air must be cooled, at constant barometric pressure, for water vapor to condense into water. The condensed water is called dew. The dew point is a saturation temperature.</p> <p>The dew point is associated with relative humidity. A high relative humidity indicates that the dew point is closer to the current air temperature. Relative humidity of 100% indicates the dew point is equal to the current temperature and the air is maximally saturated with water. When the dew point remains constant and temperature increases, relative humidity will decrease.</p>
Heat Index	<p>The Heat Index, sometimes referred to as the apparent temperature, is a measure of how hot it really feels when relative humidity is factored with the actual air temperature.</p> <p>To find the Heat Index temperature, look at the Heat Index chart below. As an example, if the air temperature is 35°C and the relative humidity is 65%, the heat index (how hot it feels) is 49°C.</p> <p>IMPORTANT: Since heat index values were devised for shady, light wind conditions, exposure to full sunshine can increase heat index values by up to -9°C. Also, strong winds, particularly with very hot, dry air, can be extremely hazardous.</p> <p>The Heat Index Chart shaded zone above 40°C shows a level that may cause increasingly severe heat disorders with continued exposure or physical activity.</p> <p>Heat Index is not calculated below 26°C.</p>

Term	Definition																																																																																																																																																																																																																																																																																		
	<div style="display: flex; justify-content: space-between; align-items: center;"> <table border="1" style="border-collapse: collapse; text-align: center; width: 60%;"> <thead> <tr> <th colspan="2"></th> <th colspan="11" style="color: red;">Relative Humidity (%)</th> </tr> <tr> <th colspan="2"></th> <th colspan="11" style="color: red;">°F</th> </tr> <tr> <th colspan="2"></th> <th>40</th><th>45</th><th>50</th><th>55</th><th>60</th><th>65</th><th>70</th><th>75</th><th>80</th><th>85</th><th>90</th><th>95</th><th>100</th> </tr> </thead> <tbody> <tr><th rowspan="16" style="writing-mode: vertical-rl; transform: rotate(180deg);">Air Temperature</th><th>110</th><td>136</td><td></td><td></td><td></td><td></td><td></td><td></td><td></td><td></td><td></td><td></td><td></td><td></td></tr> <tr><th>108</th><td>130</td><td>137</td><td></td><td></td><td></td><td></td><td></td><td></td><td></td><td></td><td></td><td></td><td></td></tr> <tr><th>106</th><td>124</td><td>130</td><td>137</td><td></td><td></td><td></td><td></td><td></td><td></td><td></td><td></td><td></td><td></td></tr> <tr><th>104</th><td>119</td><td>124</td><td>131</td><td>137</td><td></td><td></td><td></td><td></td><td></td><td></td><td></td><td></td><td></td></tr> <tr><th>102</th><td>114</td><td>119</td><td>124</td><td>130</td><td>137</td><td></td><td></td><td></td><td></td><td></td><td></td><td></td><td></td></tr> <tr><th>100</th><td>109</td><td>114</td><td>118</td><td>124</td><td>129</td><td>136</td><td></td><td></td><td></td><td></td><td></td><td></td><td></td></tr> <tr><th>98</th><td>105</td><td>109</td><td>113</td><td>117</td><td>123</td><td>128</td><td>134</td><td></td><td></td><td></td><td></td><td></td><td></td></tr> <tr><th>96</th><td>101</td><td>104</td><td>108</td><td>112</td><td>116</td><td>121</td><td>126</td><td>132</td><td></td><td></td><td></td><td></td><td></td></tr> <tr><th>94</th><td>97</td><td>100</td><td>103</td><td>106</td><td>110</td><td>114</td><td>119</td><td>124</td><td>129</td><td>135</td><td></td><td></td><td></td></tr> <tr><th>92</th><td>94</td><td>96</td><td>99</td><td>101</td><td>105</td><td>108</td><td>112</td><td>116</td><td>121</td><td>126</td><td>131</td><td></td><td></td></tr> <tr><th>90</th><td>91</td><td>93</td><td>95</td><td>97</td><td>100</td><td>103</td><td>106</td><td>109</td><td>113</td><td>117</td><td>122</td><td>127</td><td>132</td></tr> <tr><th>88</th><td>88</td><td>89</td><td>91</td><td>93</td><td>95</td><td>98</td><td>100</td><td>103</td><td>106</td><td>110</td><td>113</td><td>117</td><td>121</td></tr> <tr><th>86</th><td>85</td><td>87</td><td>88</td><td>89</td><td>91</td><td>93</td><td>95</td><td>97</td><td>100</td><td>102</td><td>105</td><td>108</td><td>112</td></tr> <tr><th>84</th><td>83</td><td>84</td><td>85</td><td>86</td><td>88</td><td>89</td><td>90</td><td>92</td><td>94</td><td>96</td><td>98</td><td>100</td><td>103</td></tr> <tr><th>82</th><td>81</td><td>82</td><td>83</td><td>84</td><td>84</td><td>85</td><td>86</td><td>88</td><td>89</td><td>90</td><td>91</td><td>93</td><td>95</td></tr> <tr><th>80</th><td>80</td><td>80</td><td>81</td><td>81</td><td>82</td><td>82</td><td>83</td><td>84</td><td>84</td><td>85</td><td>86</td><td>86</td><td>87</td></tr> </tbody> </table> <div style="border: 1px solid black; padding: 5px; margin: 10px;"> <p style="text-align: center;">Heat Index (Apparent Temperature)</p> </div> <div style="margin-left: 20px;"> <p style="color: red; font-weight: bold;">With Prolonged Exposure and/or Physical Activity</p> <table border="1" style="border-collapse: collapse; width: 100%;"> <tr><th style="background-color: red; color: white;">Extreme Danger</th></tr> <tr><td style="text-align: center;">Heat stroke or sunstroke highly likely</td></tr> <tr><th style="background-color: orange;">Danger</th></tr> <tr><td style="text-align: center;">Sunstroke, muscle cramps, and/or heat exhaustion likely</td></tr> <tr><th style="background-color: #FFD700;">Extreme Caution</th></tr> <tr><td style="text-align: center;">Sunstroke, muscle cramps, and/or heat exhaustion possible</td></tr> <tr><th style="background-color: yellow;">Caution</th></tr> <tr><td style="text-align: center;">Fatigue possible</td></tr> </table> </div> </div>			Relative Humidity (%)													°F													40	45	50	55	60	65	70	75	80	85	90	95	100	Air Temperature	110	136													108	130	137												106	124	130	137											104	119	124	131	137										102	114	119	124	130	137									100	109	114	118	124	129	136								98	105	109	113	117	123	128	134							96	101	104	108	112	116	121	126	132						94	97	100	103	106	110	114	119	124	129	135				92	94	96	99	101	105	108	112	116	121	126	131			90	91	93	95	97	100	103	106	109	113	117	122	127	132	88	88	89	91	93	95	98	100	103	106	110	113	117	121	86	85	87	88	89	91	93	95	97	100	102	105	108	112	84	83	84	85	86	88	89	90	92	94	96	98	100	103	82	81	82	83	84	84	85	86	88	89	90	91	93	95	80	80	80	81	81	82	82	83	84	84	85	86	86	87	Extreme Danger	Heat stroke or sunstroke highly likely	Danger	Sunstroke, muscle cramps, and/or heat exhaustion likely	Extreme Caution	Sunstroke, muscle cramps, and/or heat exhaustion possible	Caution	Fatigue possible
		Relative Humidity (%)																																																																																																																																																																																																																																																																																	
		°F																																																																																																																																																																																																																																																																																	
		40	45	50	55	60	65	70	75	80	85	90	95	100																																																																																																																																																																																																																																																																					
Air Temperature	110	136																																																																																																																																																																																																																																																																																	
	108	130	137																																																																																																																																																																																																																																																																																
	106	124	130	137																																																																																																																																																																																																																																																																															
	104	119	124	131	137																																																																																																																																																																																																																																																																														
	102	114	119	124	130	137																																																																																																																																																																																																																																																																													
	100	109	114	118	124	129	136																																																																																																																																																																																																																																																																												
	98	105	109	113	117	123	128	134																																																																																																																																																																																																																																																																											
	96	101	104	108	112	116	121	126	132																																																																																																																																																																																																																																																																										
	94	97	100	103	106	110	114	119	124	129	135																																																																																																																																																																																																																																																																								
	92	94	96	99	101	105	108	112	116	121	126	131																																																																																																																																																																																																																																																																							
	90	91	93	95	97	100	103	106	109	113	117	122	127	132																																																																																																																																																																																																																																																																					
	88	88	89	91	93	95	98	100	103	106	110	113	117	121																																																																																																																																																																																																																																																																					
	86	85	87	88	89	91	93	95	97	100	102	105	108	112																																																																																																																																																																																																																																																																					
	84	83	84	85	86	88	89	90	92	94	96	98	100	103																																																																																																																																																																																																																																																																					
	82	81	82	83	84	84	85	86	88	89	90	91	93	95																																																																																																																																																																																																																																																																					
	80	80	80	81	81	82	82	83	84	84	85	86	86	87																																																																																																																																																																																																																																																																					
Extreme Danger																																																																																																																																																																																																																																																																																			
Heat stroke or sunstroke highly likely																																																																																																																																																																																																																																																																																			
Danger																																																																																																																																																																																																																																																																																			
Sunstroke, muscle cramps, and/or heat exhaustion likely																																																																																																																																																																																																																																																																																			
Extreme Caution																																																																																																																																																																																																																																																																																			
Sunstroke, muscle cramps, and/or heat exhaustion possible																																																																																																																																																																																																																																																																																			
Caution																																																																																																																																																																																																																																																																																			
Fatigue possible																																																																																																																																																																																																																																																																																			
HectoPascals (hPa)	Pressure units in SI (international system) units of measurement. Same as millibars (1 hPa = 1 mbar)																																																																																																																																																																																																																																																																																		
Hygrometer	A hygrometer is a device that measures relative humidity. Relative humidity is a term used to describe the amount or percentage of water vapor that exists in air.																																																																																																																																																																																																																																																																																		
Inches of Mercury (inHg)	Pressure in Imperial units of measure. 1 inch of mercury = 33.86 millibars																																																																																																																																																																																																																																																																																		
Rain Gauge	<p>A rain gauge is a device that measures liquid precipitation (rain), as opposed to solid precipitation (snow gauge) over a set period of time.</p> <p>All digital rain gauges are self emptying or self dumping (also referred to as tipping rain gauge). The precision of the rain gauge is based on the volume of rain per emptying cycle.</p>																																																																																																																																																																																																																																																																																		
Range	Range is defined as the amount or extent a value can be measured.																																																																																																																																																																																																																																																																																		
Relative Barometric Pressure	Measured barometric pressure relative to your location or ambient conditions.																																																																																																																																																																																																																																																																																		
Resolution	Resolution is defined as the number of significant digits (decimal places) to which a value is being reliably measured.																																																																																																																																																																																																																																																																																		

Term	Definition
Solar Radiation	<p>A solar radiation sensor measures solar energy from the sun.</p> <p>Solar radiation is radiant energy emitted by the sun from a nuclear fusion reaction that creates electromagnetic energy. The spectrum of solar radiation is close to that of a black body with a temperature of about 5800 K. About half of the radiation is in the visible short-wave part of the electromagnetic spectrum. The other half is mostly in the near-infrared part, with some in the ultraviolet part of the spectrum.</p>
Thermometer	<p>A thermometer is a device that measures temperature. Most digital thermometers are resistive thermal devices (RTD). RTDs predict change in temperature as a function of electrical resistance.</p>
Wind Vane	<p>A wind vane is a device that measures the direction of the wind. The wind vane is usually combined with the anemometer. Wind direction is the direction from which the wind is blowing.</p>

9. Specification

Outdoor data

Transmission distance in open field :	100m(330 feet)
Frequency :	433/868/915 MHz
Temperature range :	-25°C to +60°C (-14□ to + 140□)
Accuracy :	+ / - 1°C
Resolution :	0.1°C
Measuring range rel. humidity :	10%~99%
Accuracy :	+/- 5%
Rain volume display :	0 – 6000mm (show --- if outside range)
Accuracy :	+ / - 10%
Resolution :	0.1in (if rain volume < 1000mm) 1mm (if rain volume > 1000mm)

Wind speed : 0-50m/s (0~100mph) (show --- if outside range)
Accuracy: +/- 1m/s (wind speed< 5m/s)
+/-10% (wind speed > 5m/s)

Light : 0-400k Lux
Accuracy : +/-15%

Measuring interval outdoor sensor: 16 sec

Indoor data

Indoor temperature range : -10°C--60°C (14□ to + 140□) (show --- if outside range)

Resolution : 0.1°C

Measuring range rel. humidity : 10%~99%

Resolution : 1%

Measuring range air pressure : 300-1100hPa (8.85-32.5inHg)

Accuracy : +/-3hpa under 700-1100hPa

Resolution : 0.1hPa (0.01inHg)

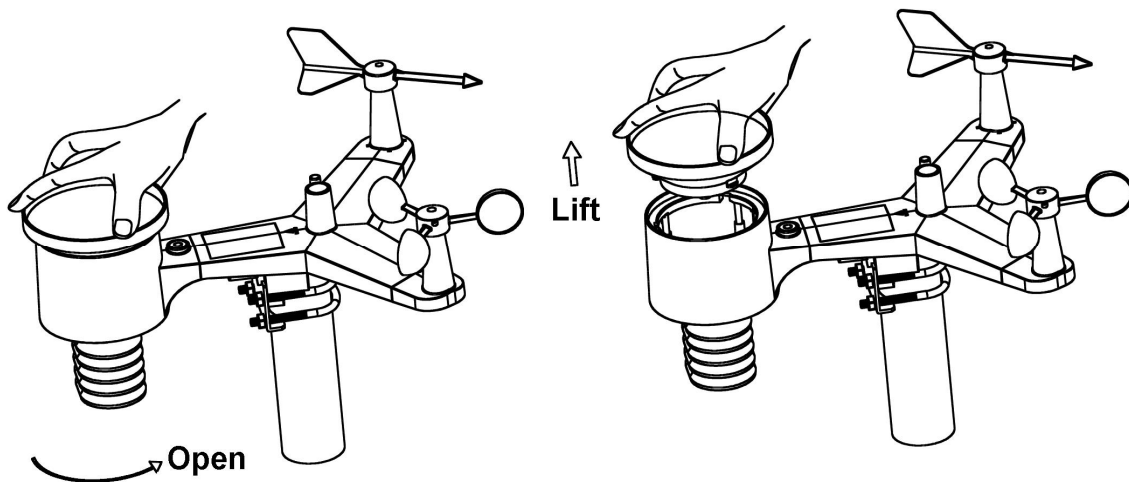
Alarm duration : 120 sec

10. Power Consumption

- Base station : 5V DC Adaptor (included), Power Consumption: 0.5 Watts (1.25 Watts during WiFi configuration mode)
- Outdoor sensor array: 3xAA batteries (not included)

11. Maintenance

1. Clean the rain gauge once every 3 months. Rotate the funnel counter-clockwise and lift to expose the rain gauge mechanism, and clean with a damp cloth. Remove any dirt,




debris and insects. If bug infestation is an issue, spray the array lightly with insecticide.

2. Clean the solar radiation sensor and solar panel every 3 months with damp cloth.
3. Replace batteries every 1-2 years. If left in too long, the batteries may leak due to environmental challenges.
4. In snowy environments, spray the top of the weather station with anti-icing silicon spray to prevent snow build up.

12. Troubleshooting Guide

Problem	Solution
Outdoor sensor array does not communicate to the display console.	<p>The sensor array may have initiated properly and the data is registered by the console as invalid, and the console must be reset. Press the reset button as described in Fejl! Henvisningskilde ikke fundet..</p> <p>With an open ended paperclip, press the reset button for 3 seconds to completely discharge the voltage.</p>

Problem	Solution
	<p>Take out the batteries and wait one minute, while covering the solar panel to drain the voltage.</p> <p>Put batteries back in and resync the console (Section Fejl! Henvisningskilde ikke fundet.) with the sensor array about 10 feet away.</p> <p>The LED next to the battery compartment will flash every 16 seconds. If the LED is not flashing every 16 seconds...</p> <p>Replace the batteries in the outside sensor array.</p> <p>If the batteries were recently replaced, check the polarity. If the sensor is flashing every 16 seconds, proceed to the next step.</p> <p>There may be a temporary loss of communication due to reception loss related to interference or other location factors,</p> <p>or the batteries may have been changed in the sensor array and the console has not been reset. The solution may be as simple as powering down and up the console (remove AC power and batteries, wait 10 seconds, and reinsert AC power and batteries).</p>
<p>Temperature sensor reads too high in the day time.</p>	<p>Make certain that the sensor array is not too close to heat generating sources or structures, such as buildings, pavement, walls or air conditioning units.</p> <p>Use the calibration feature to offset installation issues related to radiant heat sources. Reference Section Fejl! Henvisningskilde ikke fundet.</p>
<p>Relative pressure does not agree with official reporting</p>	<p>You may be viewing the absolute pressure, not the relative pressure.</p>

Problem	Solution
station	Select the relative pressure. Make sure you properly calibrate the sensor to an official local weather station. Reference Section Fejl! Henvisningskilde ikke fundet. for details.
Rain gauge reports rain when it is not raining	An unstable mounting solution (sway in the mounting pole) may result in the tipping bucket incorrectly incrementing rainfall. Make sure you have a stable, level mounting solution.
Data not reporting to Wunderground.com	<ol style="list-style-type: none"> 1. Confirm your password or key is correct. It is the password you registered on Wunderground.com. Your Wunderground.com password cannot begin with a non-alphanumeric character (a limitation of Wunderground.com, not the station). Example, \$oewkrf is not a valid password, but oewkrf\$ is valid. 2. Confirm your station ID is correct. The station ID is all caps, and the most common issue is substituting an O for a 0 (or visa versa). Example, KAZPHOEN11, not KAZPH0EN11 3. Make sure the date and time is correct on the console. If incorrect, you may be reporting old data, not real time data. 4. Make sure your time zone is set properly. If incorrect, you may be reporting old data, not real time data. 5. Check your router firewall settings. The console sends data via Port 80.
No WiFi connection	<ol style="list-style-type: none"> 1. Check for WiFi symbol on the display. If wireless connectivity is successful the WiFi icon  will be displayed in the time field. 2. Make sure your modem WiFi settings are correct (network name, and password).

Ventus vejrstation

W830W Manual

Indholdsfortegnelse.


1. Introduktion	46
2. Advarsler	46
3. Kvik opstarts guide	46
4. Før permanent opsætnings kontrol og placerings tjek	47
4.1 Før endelig opsætning	47
4.2 Placerings tjek	47
5. Klargøring	47
5.1 indhold	47
5.2 Samling af udendørs sensor	48
5.2.1 Montering af vind pil (retning)	48
5.2.2 Montering af vind kopper (hastighed)	49
5.2.3 Isætning af batterier	50


5.2.4 Opsætning af komplet udendørs sensor.....	50
5.2.5 RESET og LED indikator	50
5.3 Hvordan opnår jeg bedste trådløse transmission	51
5.4 Display	52
6. Display funktioner	53
6.1 Display skærm indhold	53
6.2 Display opstart	54
6.3 Knap funktioner	55
6.4 Indstillings mode.....	56
6.4.1 BEEP	56
6.4.2 MAX/MIN daglig	56
6.4.3 DST(daylight saving time "sommertid")	56
6.4.4 Time zone (tids zone).....	56
6.4.5 Time / Date (tid og dato)	57
6.4.6 Pressure (lufttryk).....	57
6.4.7 Light (lys).....	57
6.4.8 Temperature (temperatur)	57
6.4.9 Wind speed (vindhastighed)	58
6.4.10 Rain (regn)	58
6.4.11 Moon phase (månefase)	59
6.5 Alarm afsnit.....	59
6.5.1 aflæsning af Alarm værdier på temperatur, regn og vind.	59
6.5.2 Alarm Indstilling.	59
6.5.3 Rækkefølge for indstilling af alarm.	60
6.6 Max/min mode	60
6.7 Kalibrerings mode	61
6.7.1 Kalibrerings rækkefølge.....	61
6.8 Andre indstillings muligheder.....	62
6.8.1 Nulstille hukommelsen.	62
6.8.2 Baggrundslys (konstant baggrundslys kræver brug af adapter.).....	62
6.8.3 Trend indikatorer.	62
6.8.4 Trådløs Signalstyrke Indikator.....	62
6.8.5 Vejrudsigt symboler.....	62
6.8.6 Snooze	63
7. WIFI tilslutning af vejrstation via din mobil	63
7.1 Vejr on-line (servere)	63
7.2 Tilslutning af vejrstationen til WiFi.....	64
7.3 Registrering hos WeatherUnderground.com, WeatherBug.com og WeatherCloud.net67	
8. Ordliste.....	70
9. Specifikationer	71
10. Strøm forbrug / anvendelse	71
11. Vedligeholdelse / rengøring	71
12. Fejlfindings Guide	72

7. Introduktion

Tak for deres køb af Ventus W830W trådløs Wi-Fi vejrstation. Denne manual gør det muligt for dig step by step at installere og betjene denne avancerede vejrstation.

8. Advarsler

 **Advarsel:** Hvis man monterer sensor på en metal stang kan der være fare for lynnedslag.

 **Advarsel:** Vær forsigtig, når du skal installere den udendørs sensor i højden. Udfør så mange test som muligt indendørs, således vejrstation virker 100% før endelig opsætning. Endelig opsætning foretages på en dag med tørt og klart vejr.

3. Kvik opstarts guide

Selv om manualen er omfattende er en del af informationerne ting som kommer af sig selv. Det skal nævnes, at rækkefølgen i manualen ikke altid er logisk, dette skyldes at sektionerne er organiseret efter de enkelte dele og at man derved sikrer at alt gennemgås slavisk.

Den følgende kvik opstart guide opremser kun de nødvendige trin for installering, betjening og

forbindelse til internettet med angivelse af de afsnit, hvor de enkelte trin behandles.

Påkrævet		
Trin	Beskrivelse	Afsnit
1	Samling og opstart af udendørs sensor	5.2
2	Opstart af display og synkronisering med udendørs sensor	5.3 – 5.4
3	Indstilling af tid og dato på displayet	6.4.5
4	Kalibrering af relativ lufttryk ved havoverfladen på displayet	6. 7
5	Nulstilling af regn informationer på displayet	6.4.10
Valgfri		
6	Konfigurering af WiFi	7
7	Registrer og upload til vejr Server	7

4. Før permanent opsætnings kontrol og placerings tjek

4.1 Før endelig opsætning

Det anbefales før endelig opsætning af vejrstationen på dens permanente placering, at vejrstationen placeres på et let tilgængeligt sted. Derved får du har mulighed for, at få alle funktioner til at virke, samt blive bekendt med vejrstationens funktioner, betjening og kalibrerings procedurer. Dette giver dig også mulighed for, at teste placering og længde på den trådløse transmission.

4.2 Placerings tjek

Udfør et placerings tjek før endelig opsætning af den udendørs sensor del af vejrstationen.

Følgende bør overvejes:

6. Regnmåleren skal rengøres med jævne mellemrum, samt batterier skal skiftes, derfor sørg for let tilgængelighed til udendørs sensoren.
7. Undgå stråle varme fra bygninger m.m. Generelt bør udendørs sensoren placeres i god afstand (1,5 meter) fra bygninger, hustage eller andre varmeafgivende kilder.
8. Undgå forhindringer som skærmer for vind og regn. Henholdsvis regn og vind skal kunne komme frit og uhindret til udendørs sensoren, således målingerne bliver korrekte.
9. Rækkevidden på den trådløs transmission mellem display og den udendørs sensor er max 100 meter i åben terræn. Dette under forudsætning af, at der ingen forhindringer er som kan forårsage interferens, såsom træer, bygninger, ledninger m.m. Under normale omstændigheder er max rækkevidde ca. 30 meter.
10. Radio interferens fra computer, radio, TV eller andre trådløse produkter kan I værste fald forhindre den trådløse transmission mellem den udendørs sensor og dit display. Ved placering af display og udendørs sensor, venligst tag hensyn til ovenstående forhindringer for god transmission.

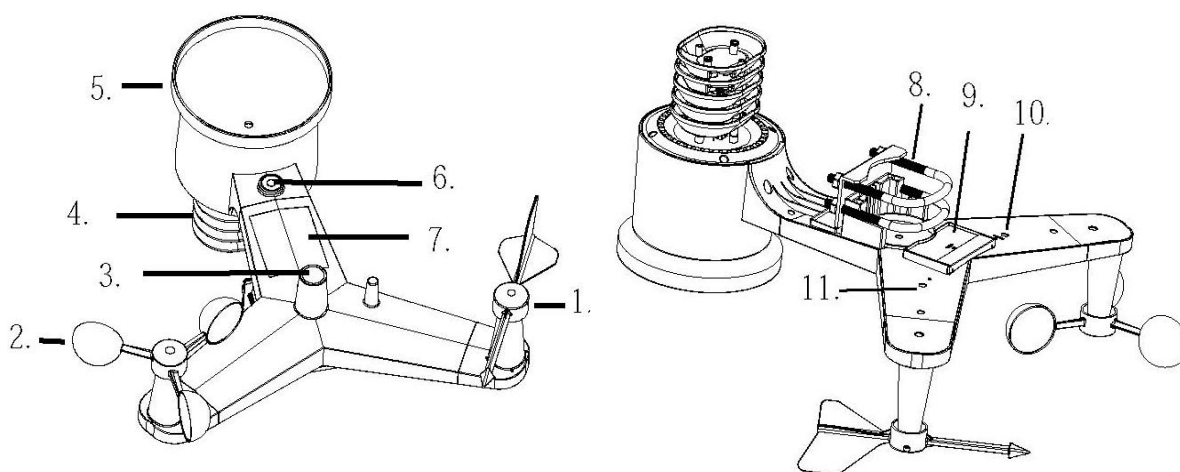
5. Klargøring

5.1 indhold

Antal	produkt
-------	---------

Antal	produkt
1	Display
1	Komplet udendørs sensor for vind, regn, temperatur og luftfugtighed
1	Beslag for montering på pæl med 2 stk. U-bolte og 4 møtrikker. (samlet)
1	Vind pil
1	Vind kopper
1	Regn skål
1	5V DC Adapter
1	Manual

5.2 Samling af udendørs sensor

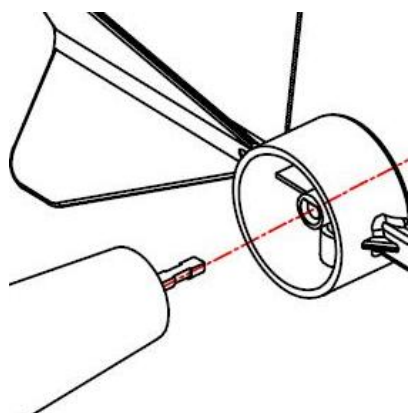


1. Vind pil (retning)
2. vind kopper (hastighed)
3. UV sensor/ Lys sensor
4. Temperatur og luftfugtigheds sensor
5. Regn opsamler
6. Vaterpas
7. Solcelle panel
8. U-Bolt
9. Batteri rum
10. Reset hul
11. LED Indikator: lyser I 4 sekunder, når sensoren lader. LED indikatoren blinker hvert 16 sekund, hvilket svarer til intervallet mellem transmission fra sensor til display.

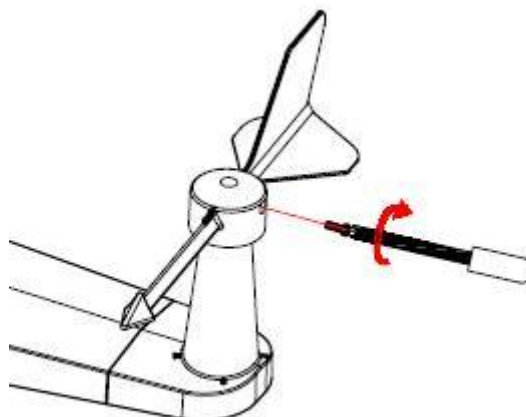
5.2.1 Montering af vind pil (retning)

Tryk vind pilen ned over akslen som vist på figur 1.

Stram skruen som vist på figur 2. Tjek om vind pilen kan bevæge sig uhindret.



Figur 1



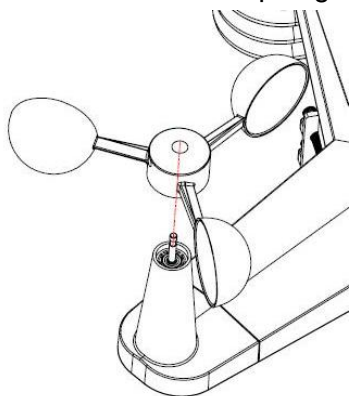
Figur 2

Der er 4 bogstaver trykt på basen af sensoren. N-S-W-E disse repræsenterer vindretningerne N=nord. S=syd. W=vest. E=øst. Vind sensoren skal monteres korrekt, hvilket vil sige, at vind pilen ved opsætning skal pege mod nord. Brug et kompas eller en Smartphone til at sikre dig, at dette er tilfældet. Hvis ikke vind pilen peger mod nord ved opsætning, vil vindretnings informationerne som fremkommer på displayet ikke være korrekte.

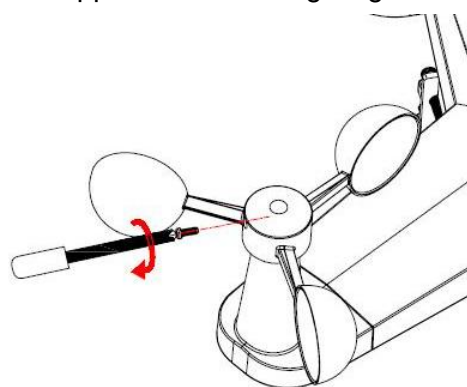
5.2.2 Montering af vind kopper (hastighed)

Tryk vind kopperne ned over akslen som vist på figur 4.

Stram skruen som vist på figur 5. Tjek om vind kopperne kan bevæge sig uhindret.



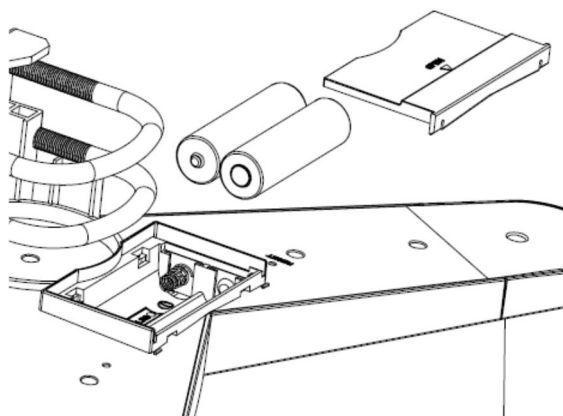
Figur 4



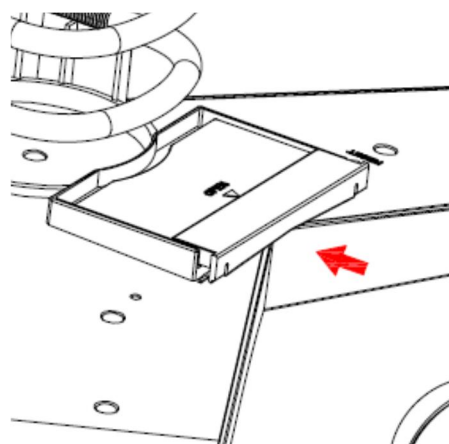
Figur 5

5.2.3 Isætning af batterier

Isæt 3 X AA batterier i batteri rummet. LED indikatoren på underside af sensoren vil lyse i 4 sekunder, hvorefter den vil blinke hvert 16 sekund, hvilket svarer til intervallet mellem transmission fra sensor til display



Figur 6

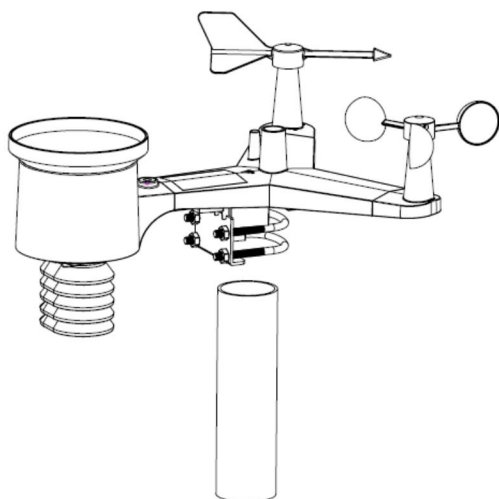


Figur 7

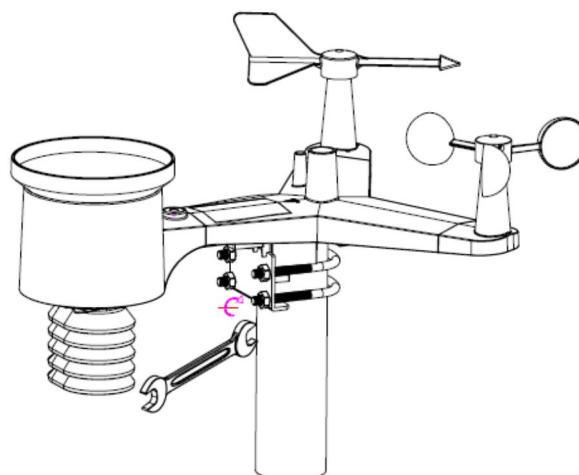
Bemærk: Hvis der ikke kommer lys i LED indikatoren eller denne lyser konstant, tjek om batterierne er korrekt isat eller RESET er udført korrekt. Bemærk batterierne skal være korrekt isat, + til + og – til –, hvis ikke dette udføres korrekt kan sensoren blive beskadiget.

5.2.4 Opsætning af komplet udendørs sensor.

Monter den komplette udendørs sensor på en rund pæl (medfølger ikke) med U-boltene som vist på figur 8 og 9.



Figur 8



Figur 9

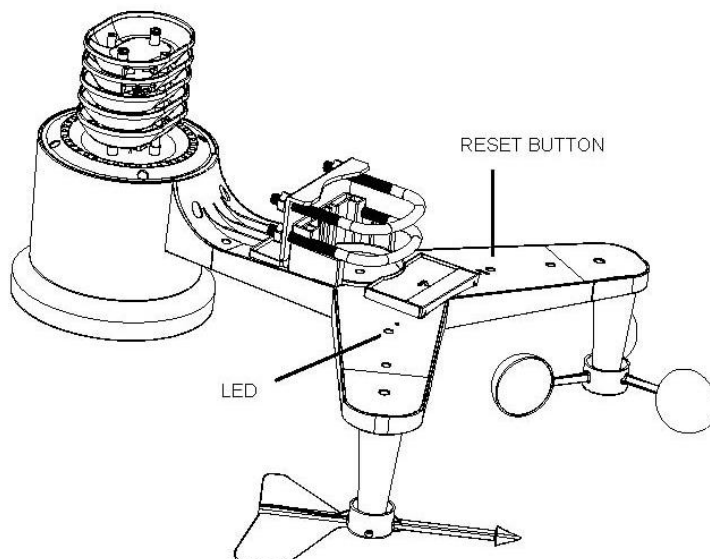
Brug vaterpasset, placeret ved regnmåleren, til at sikre at den komplette sensor er i vater.

5.2.5 RESET og LED indikator

I tilfælde af den trådløse transmission mellem sensor og display ikke fungerer / virker

RESET sensoren.

Brug eksempelvis en åben papir clips til at resette sensoren. Hold clipsen inde i hullet (sidder på undersiden af sensoren på hastigheds armen) i 3 sekunder for en komplet RESET af sensoren. Virker transmissionen stadig ikke, kan det være nødvendigt at udtage batterierne, tildække sol cellerne og vente et par minutter før batterierne isættes igen. Derefter synkroniseres med displayet igen ved at slukke, vente og tænde for displayet.



5.3 Hvordan opnår jeg bedste trådløse transmission

Bemærk: for at sikre optimal transmission skal udendørs sensoren placeres frit og i vater.

Trådløs transmission kan "forstyrres / interfereres". Afstand, vægge og metal forhindringer kan forårsage dårlig transmission. Følgende kan anbefales for at opnå bedst mulig transmission.

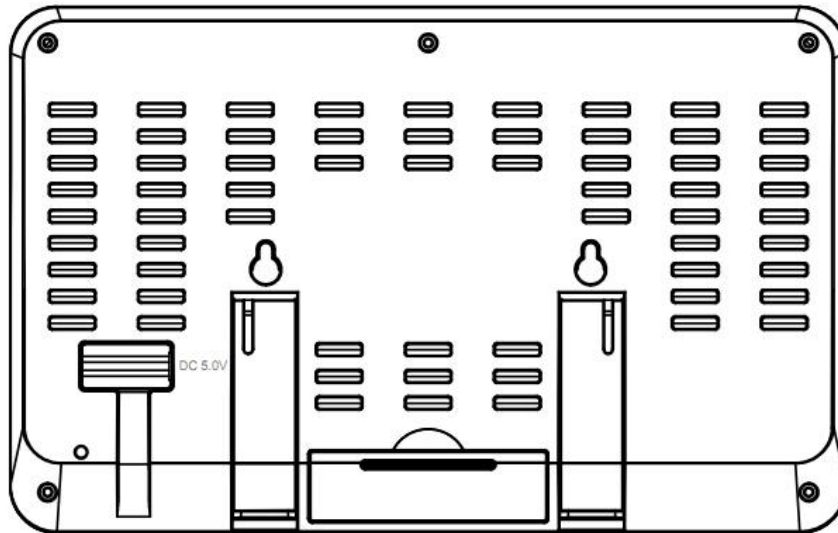
5. **Elektro-Magnetisk Interferens (EMI).** Placer displayet I god afstand fra computer skærme og TV apparater.
6. **Radio Frekvens Interferens (RFI).** Har du andre trådløse produkter I dit hjem kan disse forstyrre din vejstation, dog anvender de fleste trådløse produkter 433 MHz, mens denne vejstation anvender 868 MHz. Dette vil kraftigt mindske risikoen for interferens. Opstår der alligevel interferens kan man slukke for andre trådløse produkter og på denne måde lokalisere kilden til interferens.
7. **Transmission rækkevidde:** produktet har en transmissions rækkevidde på 100 meter i åbent terræn. Dette vil dog aldrig være muligt, idet der altid vil være forhindringer, såsom vægge, vinduer m.m. Typisk vil den maksimale rækkevidde være 30 meter under normale forhold.
8. **Metal forhindringer.** Undgå metal forhindringer mellem displayet og udendørs sensoren, idet det kan forhindre god og stabil trådløs transmission.

Følgende oversigt giver et billede af, hvad eventuelle forhindringer kan betyde for den trådløse transmissionen

Forhindring	Signal styrke Reduktion
Glas	5-15%
Plastik	10-15%

Træ	10-40%
Mursten	10-40%
Beton	40-80%
Metal	90-100%

5.4 Display



6. Isæt adapter stikket på bagsiden af displayet

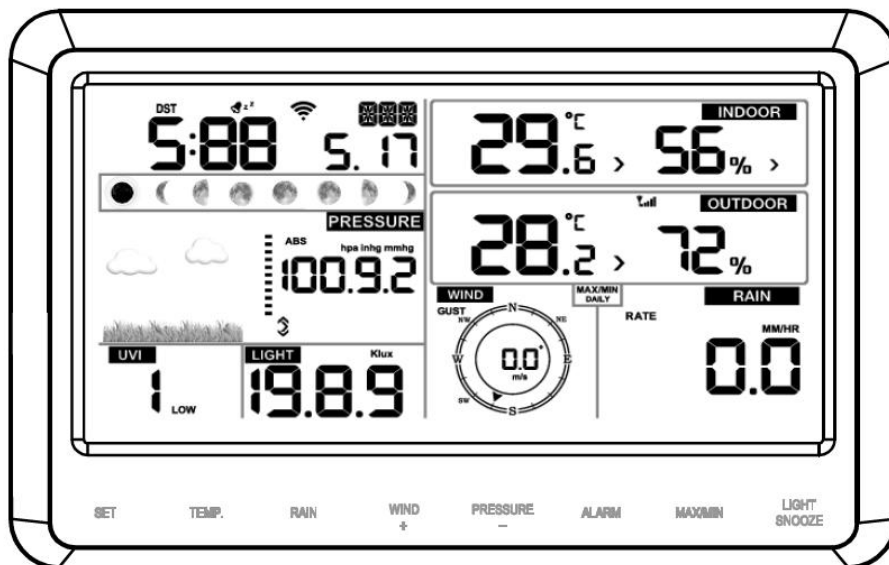
Bemærk: Placer udendørs sensoren i samme rum 1,5 - 3 meter fra displayet og vent 5-10 minutter indtil de 2 enheder har synkroniseret.

7. Isæt 3 AAA batterier i displayet. (Valgfri, kun som back up)

8. Lad displayet og sensoren stå i 15 minutter indtil det trådløse signal er fastlåst.

9. (Valgfri) drej vind kopperne rundt (blæs) for at simulere vind. Dryp forsigtigt vand i regnmåleren for at simulere nedbør. Vær opmærksom på, at vandet vil løbe igennem regnmåleren, da denne er selv tømmende.

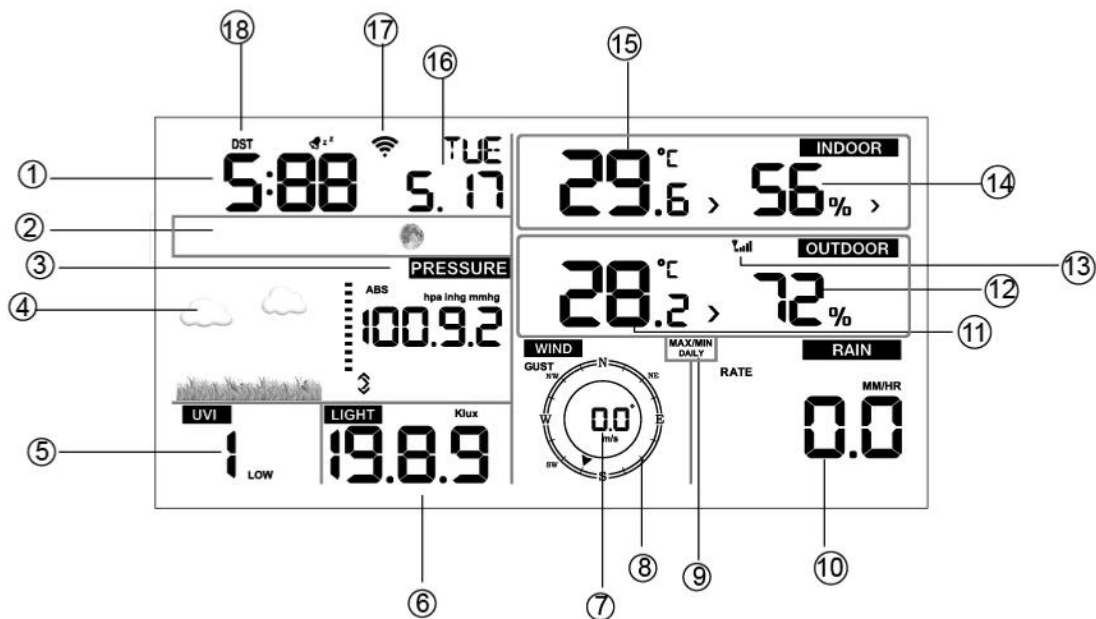
10. Efter 15 minutter og **alle** informationer er fremkommet på displayet, kan den udendørs sensor placeres på dens korrekte plads. Se afsnit omkring opsætning af den udendørs sensor. 5.2.4



Bemærk: hvis der kun anvendes batterier og ikke 230 volt skal der trykkes på LIGHT/SNOOZE knappen før der kommer lys i displayet og andre knapper kan anvendes.

6. Display funktioner

6.1 Display skærm indhold



1. Klokken / tid	10. Regn mængde
2. Måne fase	11. Temperatur udendørs
3. Luftryk	12. Luftfugtighed udendørs
4. Vejr udsigt	13. RF Ikon (trådløs signal)
5. UV index	14. Luftfugtighed indendørs
6. Lys (Lux)	15. Temperatur indendørs
7. Vind hastighed	16. Dato
8. Vind retning	17. WIFI ikon
9. MAX/MIN daglig	18. DST (daylight saving time)

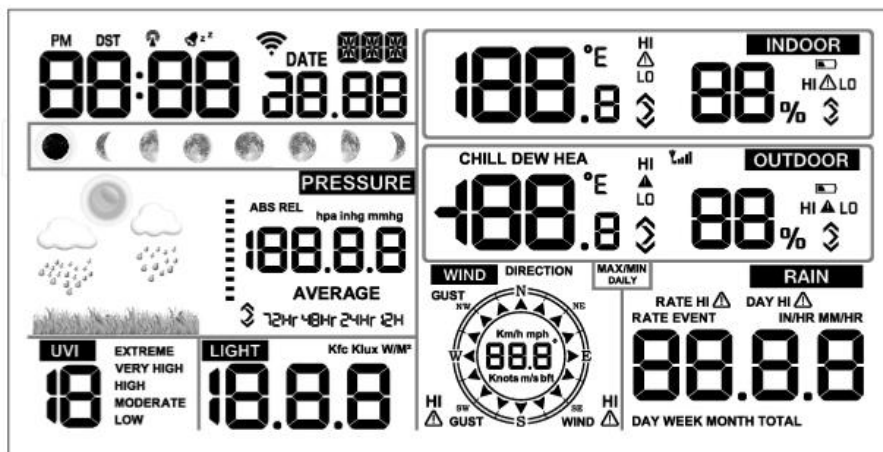
6.2 Display opstart

Tilslut adapter stik til displayet og derefter til 230 volt.

Displayet vil vise software version nummer ca. 2 sekunder efter tilslutning til 230 volt.

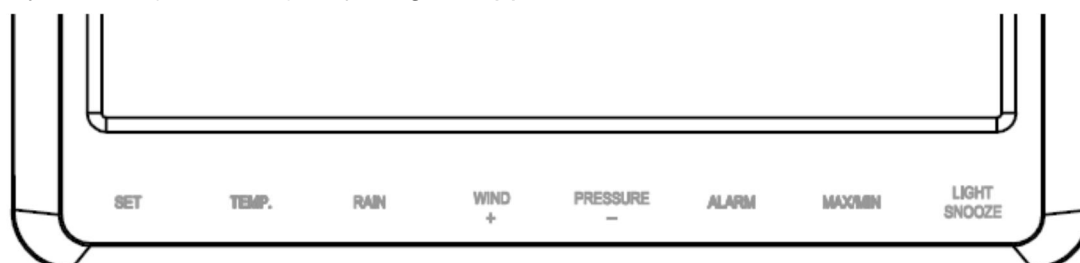


Displayet vil vise alle segmenter på skærmen i 3 sekunder efter strømmen er tilsluttet. I de næste 3 minutter indhenter displayet informationer fra den udendørs enhed.



6.4 Knap funktioner

Displayet har 8 (soft touch) betjenings knapper.



Betjenings knap	Funktion
SET	Hold knappen inde for at komme til indstillinger.
TEMP.	Tryk på denne knap for at se: wind Chill, Heat Index (varme indeks), Dew Point (dugpunkt) Temperatur. Tryk på TEMP knappen I 5 sek. for at søge efter sensor.
RAIN	Tryk på denne knap for at se regn mængde per time, her & nu, per dag, uge, måned og total. Tryk og hold knappen inde I 2 sekunder for at nulstille regn info.
WIND +	Tryk på denne knap for at se vind, vindstød og vind retning.
PRESSURE	Tryk på denne knap for at se lufttrykket, samt det gennemsnitlig lufttryk for de seneste 12, 24, 48 og 72 timer. Hold knappen inde I 2 sek. For at se det absolutte og relative lufttryk.
ALARM	Tryk på denne knap for at se alarm værdierne på temperatur / luftfugtighed / regn diverse / vind / UV / lys / absolut lufttryk
MAX/MIN	Tryk på denne knap for at se MAX/MIN værdierne på temperatur / luftfugtighed / regn diverse / vind / UV / lys / absolut lufttryk
LIGHT /SNOOZE	Tryk på denne knap for at justere baggrunds lyset på displayet: HI/MID/OFF

Note:

- 5) For at resette vejrstationen til fabriks indstilling tryk samtidig på **RAIN & ALARM** knappen, dette vil nulstille hukommelsen. Bemærk der skal være strøm på displayet.
- 6) Ønsker du at stoppe for indstillings mode og vende tilbage til normal display kan dette gøres ved enten at vente 30 sekunder eller trykke på **LIGHT/SNOOZE** knappen.

6.4 Indstillings mode

Tryk på **SET** knappen i 2 sekunder for at komme til de basale indstillinger. Du bliver nu automatisk ført igennem indstillingerne i følgende rækkefølge. Når du har valgt en indstilling trykkes igen på SET for at bekræfte indstillingen og gå videre til næste indstilling.

6.4.4 BEEP



- Tryk på **SET** knappen i 2 sekunder for at vælge / fravælge beep lyd. ON/OFF vil blinke, tryk på **WIND/+** or **PRESSURE/-** knappen for at vælge ON eller OFF.

“BEEP ON” betyder, at hver gang du trykker på en knap vil der lyde et beep. Ønsker du ikke dette vælg ”BEEP OFF”

6.4.5 MAX/MIN daglig



- Tryk på **SET** knappen to gange for at vælge **MAX/MIN** sektionen, ON/OFF vil blinke, tryk på **WIND/+** eller **PRESSURE/-** knappen for at vælge ON eller OFF. (når ON er sat til nulstilles hver dag klokken 0:00)

6.4.6 DST(daylight saving time “sommertid”)



- Tryk på **SET** knappen tre gange for at vælge **Daylight saving time** sektionen, ON/OFF vil blinke, tryk på **WIND/+** eller **PRESSURE/-** knappen for at vælge ON eller OFF. (ON virker kun i perioden med sommertid)

6.4.4 Time zone (tids zone)



- Tryk på **SET** knappen fire gange for at vælge **Time zone** sektionen. Tids zone tallet vil blinke og du kan nu vælge tids zone ved at trykke på **WIND/+** eller **PRESSURE/-** knappen for at vælge korrekt tal. (Fra -12 til +12)

6.5.5 Time / Date (tid og dato)



- Tryk på **SET** knappen fem gange for at vælge 12/24 timers format.(standard er 24 timer).
- Tryk på **SET** knappen seks gange for at vælge time sektionen.
- Tryk på **SET** knappen syv gange for at vælge minut sektionen.
- Tryk på **SET** knappen otte gange for at vælge rækkefølge på dag og måned. DD-MM eller MM-DD format. (Standard er DD-MM format)
- Tryk på **SET** knappen ni gange for at vælge år.
- Tryk på **SET** knappen 10 gange for at vælge måned.
- Tryk på **SET** knappen igen for at vælge dag.

Bemærk: tryk på **WIND/+** or **PRESSURE/-**knappen når du indstiller til den korrekte værdi.

Bemærk: Hvis der ændres på minut værdien, vil sekunder automatisk nulstilles

6.5.6 Pressure (lufttryk)



- Tryk på **SET** knappen tolv gange for at vælge måleenhed i Pressure sektionen (hpa, mmhg eller inhg; standard = hpa).
- Tryk på **SET** knappen 13 gange for at vælge REL. Lufttryk. Indstilles med +/- knappen.

Bemærk: I normal mode, tryk på **PRESSURE/-** knappen for at se gennemsnitlig lufttryk i de sidste 12, 24, 48 eller 72 timer. Tryk 3 sekunder på **PRESSURE/-** knappen for enten at se absolut eller relativ lufttryk.

6.5.7 Light (lys)



- Tryk på **SET** knappen 14 gange for at vælge lys styrke sektionen. (lux, fc, w/m2; standard = w/m2).

6.5.8 Temperature (temperatur)



- Tryk på **SET** knappen 15 gange for at vælge ind/udendørs temperatur sektionen.

Celcius eller Fahrenheit (C eller F; standard = C).

- I normal mode, tryk på **TEMP.** knappen for at se wind Chill, Heat Index, Dew Point eller Temperatur.

Bemærk: hver 60 sekunder måler displayet indendørs temperatur, luftfugtighed og lufttryk. Hvis temperaturen er lavere end minimum måleområdet vil displayet vise --. -, hvis det er højere end maksimum måleområdet vil displayet vise --.-.

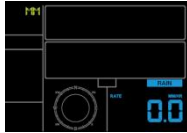
6.5.9 Wind speed (vindhastighed)



- Tryk på **SET** knappen 16 gange for at vælge vind hastighed sektionen (km/h, mph, knots, m/s, bft; standard = km/h).

- I normal mode, tryk på **WIND/+** knappen for at se vindhastighed, vindstød og vindretning.

6.5.10 Rain (regn)



- Tryk på **SET** knappen 17 gange for at vælge regn sektionen.(in/mm; standard = mm).

- I normal mode tryk RAIN knappen for at se regnmængden i timen, her & nu, dag, uge, måned og total.

- Tryk på **RAIN** knappen i 2 sekunder for at nulstille regnmængden i netop det billede du står i.

Bemærk:

- Nulstilles uge (week) regnmængde, nulstilles dag (day) regnmængde automatisk.
- Nulstilles måned (month) regnmængde, nulstilles uge og dag regnmængde automatisk.
- Nulstilles total regnmængde, nulstilles måned, uge og dag automatisk.

Note:

- Regn RATE: De sidste 10 minutters regn ganget med 6.
- Regn EVENT: Når regnen starter begynder regn EVENT, hvis der på dagen (00:00-24:00) ikke regner eller der falder mindre end 10 mm er regn EVENT slut.

- Day: Defineres som kalender dagen fra kl. 0:00 - 24:00.

- Week: Defineres som kalender ugen fra søndag til lørdag.
- Måned: Defineres som kalender måned. Eks. 1. til 31. januar.
- Total: Defineres fra vejrstationen blev igangsat.

Bemærk: Udendørs sensoren vil for hvert 16 sekund sende informationer omkring vind hastighed, vindretning og regn.

6.5.11 Moon phase (månefase)



- Tryk på **SET** knappen 18 gange for at vælge den nordlige eller sydlige halvkugle.

6.6 Alarm afsnit

6.5.1 aflæsning af Alarm værdier på temperatur, regn og vind.

3) Tryk på **ALARM** knappen for at se de høje temperatur alarm værdier.



4) Tryk en gang mere på **ALARM** knappen for at se de lave temperatur alarm værdier.



Note:


- Tryk på **RAIN** knappen efter du har trykket på ALARM for at se RATE eller DAY alarmerne.
- Tryk på **WIND/+** knappen efter du har trykket på ALARM for at se vind (Wind) alarmerne. Tryk engang mere og aflæs vindstød (Gust) alarmerne.
- Tryk på **ALARM** knappen en tredje gang eller på **LIGHT /SNOOZE** knappen for at vende tilbage til normal mode.

6.6.3 Alarm Indstilling.

- 5) Tryk og hold knappen **ALARM** inde i 2 sekunder for indstilling af de enkelte alarmer.
- 6) Tryk på **WIND/+** or **PRESSURE/-** for at til / afmelde eller justere alarm værdier
- 7) Tryk på **SET** knappen for at bekræfte indstilling/ændring og gå til næste indstilling.

8) Tryk på **ALARM** knappen for at til/afmelde alarmerne.

Bemærk: Når en alarm er udløst, vil den pågældende alarm kildes  ikon for tid, 

ikon for høj værdi og  ikon for lav værdi blinke.

Bemærk: tryk på **ALARM** knappen en tredje gang eller tryk på **LIGHT /SNOOZE** knappen for at vende tilbage til normal mode.

6.6.4 Rækkefølge for indstilling af alarm.

- 14) Tids indstilling
- 15) Indendørs temperatur indstilling HØJ
- 16) Indendørs temperatur indstilling LAV
- 17) Indendørs luftfugtigheds indstilling HØJ
- 18) Indendørs luftfugtigheds indstilling LAV
- 19) Udendørs temperatur indstilling HØJ
- 20) Udendørs temperatur indstilling LAV
- 21) Udendørs luftfugtigheds indstilling HØJ
- 22) Udendørs luftfugtigheds indstilling LAV
- 23) Kraftig vind indstilling
- 24) Kraftig vindstød indstilling
- 25) Kraftig regn indstilling RATE
- 26) Kraftig regn indstilling DAY

6.7 Max/min mode

6.6.1 Tryk på **MAX/MIN** knappen for at aflæse MAX data.



Vil du aflæse nedenstående informationer, tryk derefter på nævnte knapper. Eksempelvis ønsker du at aflæse wind chill tryk på MAX/MIN, tryk derefter på TEMP, ønsker du derefter at aflæse heat index trykkes igen på TEMP osv.

- Tryk på **TEMP** knappen for at aflæse vind chill, heat index og dew point (dugpunkt) MAX.
- Tryk på **RAIN** knappen for at aflæse regn RATE, DAY, WEEK og regn MONTH MAX.
- Tryk på **WIND/+** knappen for at aflæse WIND og GUST (vindstød) MAX.
- Tryk på **PRESSURE/-** knappen i 2 sekunder for at se det absolutte lufttryk, tryk igen og se det relative lufttryk MAX.

6.7.2 Tryk 2 gange på **MAX/MIN** knappen for at komme til MIN data.



- Tryk derefter på **TEMP.** knappen for at se wind chill and dew point MIN.
- Tryk på **PRESSURE/-** knappen i 2 sekunder, for at se det absolutte lufttryk, tryk igen for at se det relative lufttryk MIN.

Bemærk: Tryk på **MAX/MIN** knappen i 2 sekunder for at nulstille alle MAX/MIN data.
Tryk på **LIGHT /SNOOZE** knappen for at vende tilbage til normal mode.

6.7 Kalibrerings mode

Hold både **TEMP.** og **MAX/MIN** knappen inde samtidig i 5 sekunder, for at komme til kalibrerings mode. Derefter kan der kalibreres m.m. Følg nedenstående vejledning.



- Tryk på **WIND/+** and **PRESSURE/-** knappen for at justere værdierne.
- Tryk på **SET** knappen for at bekræfte og gå videre til næste værdi.
- Tryk på **ALARM** knappen for at nulstille alle ændrede kalibreringer.
- Tryk på **LIGHT /SNOOZE** knappen for at forlade kalibrerings mode.

6.8.1 Kalibrerings rækkefølge.

- 9) Indendørs temperatur offset kalibreret (interval +/-9F, standard: 0 grader)
- 10) Indendørs luftfugtighed offset kalibreret (interval +/-9%)
- 11) Udendørs temperatur offset kalibreret (interval +/-9F, standard 0 grader)
- 12) Udendørs luftfugtighed offset kalibreret (interval +/-9%)
- 13) Det absolutte lufttryk offset kalibreret (interval +/-10hpa)
- 14) Vindretning offset kalibreret (justeres per grader)
- 15) Vind hastigheds faktor justering, standard 100% (interval 50% to 150%)
- 16) Regn faktor justering, standard 100% (interval 50% to 150%)

6.9 Andre indstillings muligheder.

6.8.1 Nulstille hukommelsen.

Tryk på knapperne WIND/+ og PRESSURE/- samtidig. Sæt strøm til samtidig med at du stadig holder knapperne inde og vejrstationen vil nulstille dine bruger indstillinger.

6.8.7 Baggrundsllys (konstant baggrundsllys kræver brug af adapter.)

4) Med tilsluttet adapter.

Tryk på **LIGHT /SNOOZE** knappen for at ændre baggrundsliset: høj / lav / slukket.

5) Uden adapter. (kun på batterier)

Efter 15 sekunder uden brug af diverse knapper vil baggrundsliset gå ud.

Knapperne kan ikke betjenes før enten LIGHT / SNOOZE knappen holdes inde eller der tilsluttes adapter.

6.8.8 Trend indikatorer.

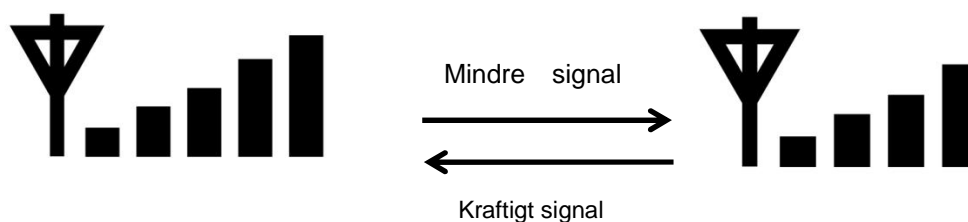
- 3 timers sammenligning som ændres for hver halve time.

- Eks: kl. 3:00 - sammenlignes til kl. 12:00 data; kl. 3:30 – sammenlignes med 12:30 data.

Trend indikatorer		Luffugtighed	Temperatur	Luftryk
↗	stigende	stigende > 3%	stigende $\geq 1C/2F$	stigende > 1hpa
→	stabil	forandring $\leq 3\%$	forandring < 1C/2F	forandring $\leq 1hpa$
↘	faldende	faldende > 3%	faldende $\geq 1C/2F$	faldende > 1hpa

6.8.9 Trådløs Signalstyrke Indikator

Ved transmission / synkronisering mellem den udendørs enhed og display, kan man aflæse det trådløse signals styrke, ved at se på signal styrke indikatoren. Jo flere streger jo bedre signal. Indikatoren er placeret i feltet med den udendørs temperatur.



6.8.10 Vejrudsigt symboler: Sol, Delvis skyet, Skyet, Regn, Storm og Sne

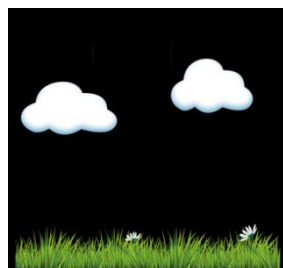
Hvis udendørs temperaturen kommer under 0 graders Celsius (32 F) og vejrudsigten forudser REGN eller STORM vil SNE symbolet fremkomme på displayet.



Sol



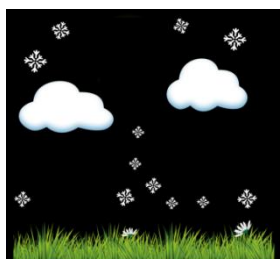
Delvist skyet



Skyet



Regn



Sne

6.8.6 Snooze

Ved en tidsalarm, tryk på LIGHT / SNOOZE knappen og displayet går i Snooze mode. Efter 10 min vil alarmen starte igen. For at forlade alarm tilstand tryk på alarm knappen.

7. WIFI tilslutning af vejrstation via din mobil

7.1 Vejr on-line (servere)

Vejrstationen kan sende data til to forskellige mere eller mindre gratis Hosting tjenester.

Hosting Tjenester	Hjemmeside	Beskrivelse
Weather Underground	www.wunderground.com	Weather Underground er en gratis vejr hosting tjeneste som tillader dig, at sende og se dine vejrinformationer real-time, grafer og målinger. Importere data for mere detaljerede analyser og anvende iPhone, iPad og Android applikationer som er tilgængelige på Wunderground.com. Weather Underground er et datterselskab af The Weather Channel og IBM.
		.

Weather Cloud	www.weatherCloud.net	Weathercloud er et real-time vejr social netværk dannet af observatører fra hele verden.
---------------	----------------------	--

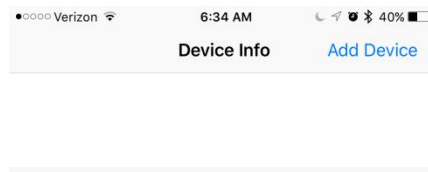
7.2 Tilslutning af vejrstationen til WiFi.

WiFi mulighederne fungerer kun sammen med vejrstationen, hvis adapteren anvendes til vejrstationen. Dette skyldes det højere energiforbrug ved WiFi.

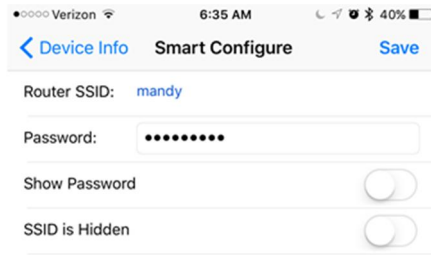
For at anvende WiFi sammen med vejrstationen skal du først downloade applikationen fra en af følgende:

- Apple App Store
- Google Play Store

7. Gå ind på Apple App Store eller Google Play Store via din Smartphone og søg efter "**WS Tool**" applikationen. Download applikationen til din Smartphone.
8. Kør vejrstation applikationen og vælg **Add Device**.



9. Kontroller, at din Smartphone er tilsluttet dit WiFi netværk. Indtast password til din router, og vælg **Save**.



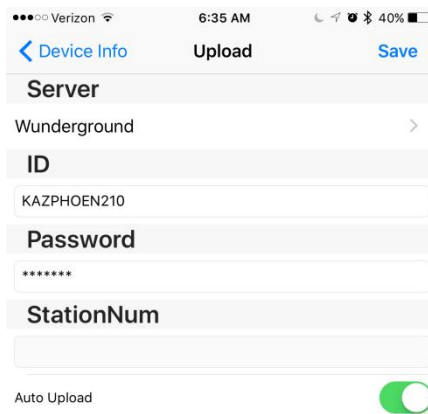
10. Hvis WiFi ikonet ikke blinker hurtigt (1) tryk og hold **RAIN** og **ALARM** knapperne inde samtidig i fire sekunder. (2) WiFi ikonet vil starte med at blinke hurtigt, hvilket indikerer at displayet søger efter dit WiFi netværk.



11. Så snart displayet har fået forbindelse til dit WiFi netværk, vil Mac adressen og IP adressen blive vist på din Smartphone.



12. Indtast dit Wunderground.com eller WeatherCloud.net Station ID, Password og StationNum (se Sektion 0).



7.3 Registrering hos WeatherUnderground.com, WeatherCloud.net

7.3.1 WeatherUnderground.com

Gå til Wunderground.com's hjemmeside og vælg **Join** linket I toppen af siden. Vælg **Free** sign up muligheden.

2

1

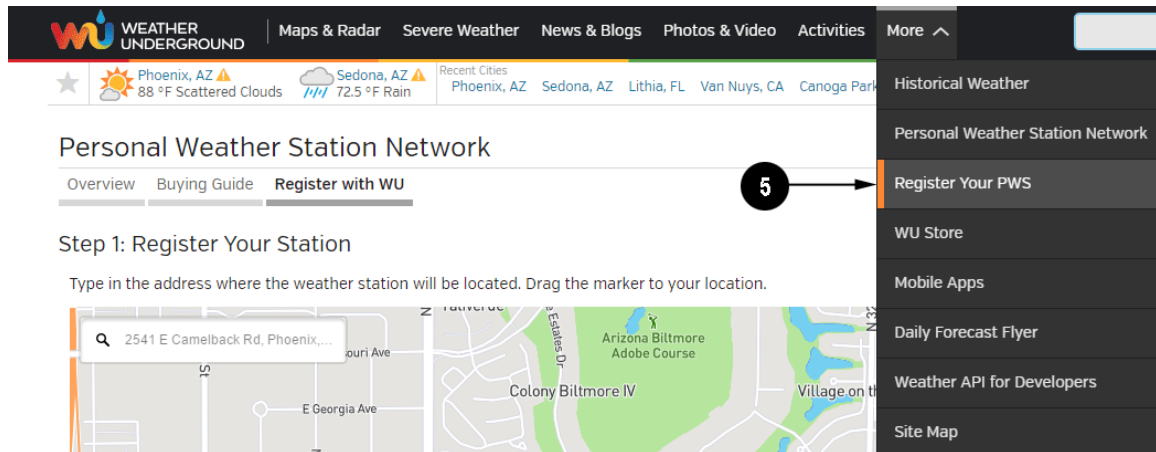
5. Vælg **More | Register Your PWS**.

6. Klik på **Send Validation Email**. Svar på validation emailen fra Wunderground (det kan tage et par minutter).

3

4

7. Vælg **More | Register Your PWS** igen og indtast alle nødvendige informationer.



8. Når du har reistreret din vejrstation, notèr følgende:

- Station ID
- Station Key / Password

Indtast Station ID (ID), Station Key (Password) og efterlad Station Nummer (StationNum) feltet blankt.

Nedenstående billede er et eksempel. Dit **station ID** og **password** vil være anderledes.

Congratulations. Your station is now registered with Wunderground!

You are almost done. Now go to your weather station software and add the following:

Your Station ID:

KAZPHOEN424

Your Station Key/Password:

mdreeley

Bemærk: Dit station ID vil have følgende form: KSSCCCC###, Hvor K står for USA station (I for international), SS stat, CCCC din by og ### er din stations nummer i din by.

I ovenstående eksempel er: KAZPHOEN424 i USA (K), Staten Arizona (AZ), byen Phoenix (PHOEN) og #424 = nummer 424 vejrstation i denne by.

7.3.2 WeatherBug.com

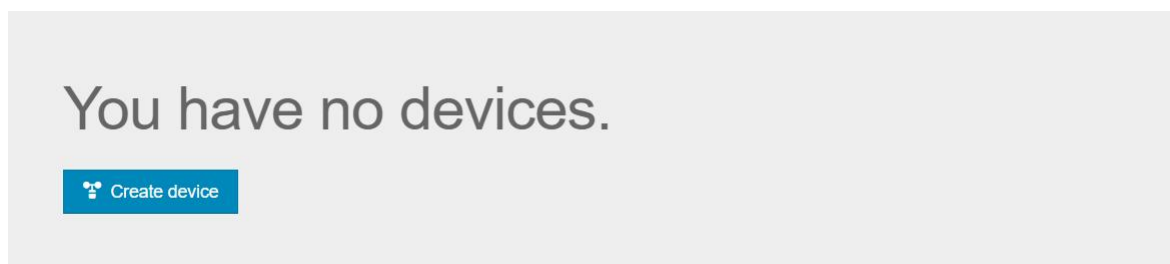
Besøg: <http://pws.ensb.us/> og vælg **Click here** midt på siden for registrering af din vejrstation.

7.3.3 WeatherCloud

4. Besøg WeatherCloud.net og indtast Username, Email og Password, tryk SIGN UP.



5. Svar på validation emailen fra WeatherCloud (det kan tage et par minutter).



6. Vælg **Create Device** og indtast din vejrstations informationer. Efter registrering af din vejrstation notér følgende:

- Weathercloud ID
- Key

Indtast Weathercloud ID (ID), Key (password) I APP'en. Efterlad Station Number feltet (StationNum) blankt.

8. Ordliste.

Ordliste	Definition
Absolutte Barometrisk luftryk.	Absolut tryk er det målte atmosfæriske tryk og er en funktion af højde, og i mindre grad ændringer i vejrforholdene. Absolut tryk ikke korrigeret til hav-niveau (sea-level). Se Relativ Barometertryk.
Nøjagtighed.	Nøjagtighed defineres som evnen for en måling til at matche den faktiske værdi af den mængde, der måles.
Barometer.	Et barometer er et instrument til at måle atmosfærisk tryk.
Kalibrering.	Bestemmelse af et måleinstrumentets visningsfejl. Udføres ved sammenligning af et mere nøjagtigt instruments, hvis visningsfejl er kendt. Ved kalibrering kan et måleinstrument nøjagtighed korrigeres til korrekt måling.
Dugpunkt.	Dugpunktet er den temperatur ved hvilken en given luftmasses indhold af vanddamp, under afkøling ved konstant tryk, vil fortættes til flydende vand. Altså en kombination af luftfugtighed og temperatur.
Heat Index / Varme indeks	Varme indekset er et udtryk for, hvordan temperaturen føles afhængig af luftfugtigheden, og gælder kun ved svag vind. Sagt på en anden måde, hvordan varmen egentlig føles taget luftfugtigheden i betragtning, sammenlignet med den aktuelle temperatur. Varme indeks kalkuleres ikke på temperaturer under 26°C.
HectoPascals (hPa)	International luftryks måleenhed (hPa) (1 hPa = 1 mbar)
Hygrometer	Et måleinstrument til måling af luftfugtighed.
Regnmåler	Alle digitale regnmålere er selv tømmende. De fleste virker ved hjælp af en vippe anordning inde i selve opsamlere.
Relative Barometrisk luftryk	Atmosfærisk luftryk korrigeret til havoverflade tryk (sea-level)
Vind kopper	Typisk et sæt af tre stykker som sidder sammen. Vindkopper er med til at måle vindhastighed kombineret med et anemometer.
Vind fane	Måler typisk vindretningen kombineret med et anemometer. Vindretningen er derfra vinden blæser fra.

9. Specifikationer

Udendørs data:

Transmission distance i åben areal	: 100m(330 feet)
Frekvens	: 868 MHz
Temperatur område	: -25°C to +60°C (-14°F to + 140°F)
Nøjagtighed	: + / - 1°C
Decimaler	: 0.1°C
Luffugtigheds område	: 10%~99%
Nøjagtighed	: +/- 5%
Regn måleområde	: 0 – 6000mm
Nøjagtighed	: + / - 10%
Decimaler	: 0.1 (ved regnmængde < 1000mm) 1mm (ved regnmængde > 1000mm)
Vind hastighed	: 0-50m/s (0~100mph)
Nøjagtighed	: +/- 1m/s (vindhastighed < 5m/s) : +/-10% (vindhastighed > 5m/s)
Lys	: 0-400k Lux
Nøjagtighed	: +/-15%
Transmissions interval udendørs sensor	:16 sekunder

Indendørs data

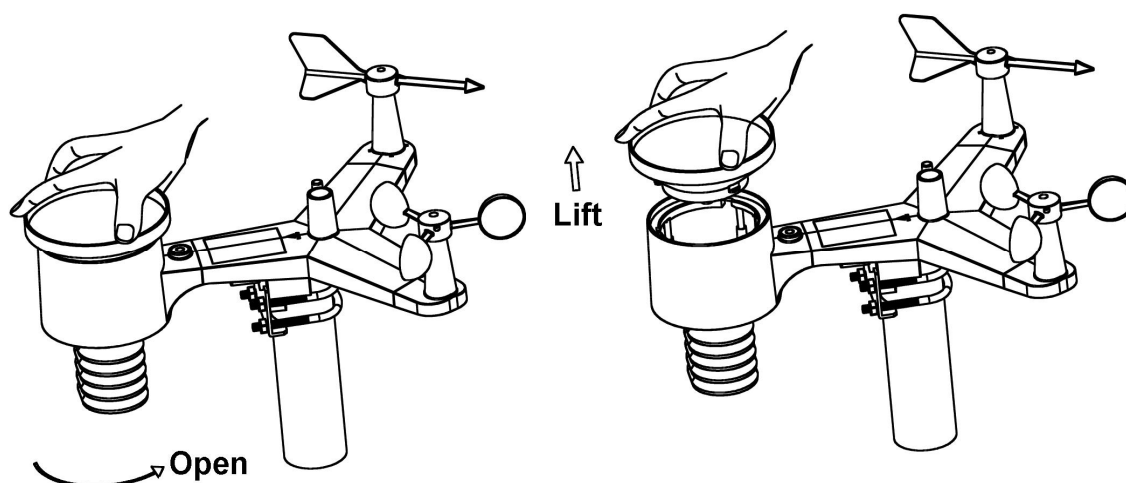
Indendørs temperatur område	: -10°C- + 60°C (14°F to + 140°F)
Decimaler	: 0.1°C
Luffugtigheds område	: 10%~99%
Tolerance	: 1%
Måleområde lufttryk	: 300-1100hPa (8.85-32.5inHg)
Nøjagtighed	: +/-3hpa under 700-1100hPa
Decimaler	:0.1hPa (0.01inHg)
Alarm periode	:120 sekunder.

10. Strøm forbrug / anvendelse

- Display : 5V DC Adapter (inkluderet), strøm forbrug: 0.5 Watt (1.25 Watt under WiFi Konfiguration mode)
- Udendørs sensor: 3xAA batterier (ikke inkluderet)

11. Vedligeholdelse / rengøring

1. Rengør regnmåleren en gang hver tredje måned. Drej tragten modsat uret og tag toppen af for at få adgang til regnmåleren. Rengøres med fugtig klud. Fjern skidt, støv og insekter.
2. Rengør sol sensor og sol paneler hver tredje måned med fugtig klud.




3. Udskift batterierne når lav batteri niveau indikeres på displayet. Vent ikke for længe, idet dette kan skade batteri kammeret.

12. Fejlfindings Guide

Problem	Løsning
Udendørs sensoren kommunikerer ikke med det indendørs display.	<p>Udendørs sensoren er ikke blevet korrekt igangsæt og der registreres ikke informationer fra den udendørs sensor til displayet. RESET udendørs sensoren som tidligere beskrevet.</p> <p>Anvend en åben papir clips og tryk på RESET knappen (hullet) i 3 sekunder for helt at nulstille sensoren.</p> <p>Tag batterierne ud, dæk solpanelerne og vent et minut indtil sensoren er totalt "tømt" for strøm.</p> <p>Sæt batterierne i sensoren igen og synkroniser med displayet. Sensoren holdes i en afstand af cirka 3 meter fra displayet under denne proces. Sensoren placeres først på sin korrekte plads, når forbindelse / vejr informationerne registreres korrekt.</p> <p>LED Lampen som er placeret ved siden af batteri kammeret vil blinke hvert 16 sekund. Dette svarer til det interval hvormed der sendes fra sensoren til displayet.</p> <p>Hvis der stadig ikke er forbindelse, kontroller polariteten på batterierne. Altså + til + og - til -.</p>

Problem	Løsning
	<p>Hvis LED Lampen på sensoren blinker og der stadig ikke er kommunikation mellem de 2 enheder kan dette skyldes et midlertidig tab af forbindelse grundet interferens på denne lokation. Fejlen kan også skyldes at man har skiftet batterier og displayet er ikke blevet nulstillet. Den enkle løsning kan være at tage strømmen fra displayet, både 230 volt og batterierne og vente 20 sekunder, hvorefter strøm og eventuelt batterier isættes igen.</p>
<p>Temperaturen viser for høje temperaturer.</p>	<p>Kontroller at sensoren ikke er placeret for tæt på varme generende genstande såsom vægge, bygninger m.m.</p> <p>Hvis sensoren ikke kan placeres andre steder end, hvor der kan forekomme varme generende genstande kan dette justeres via kalibrering. Se afsnit omkring kalibrering.</p>
<p>Relativt lufttryk passer ikke med de officielle oplyste størrelser.</p>	<p>Du ser måske fejlagtigt på det absolutte lufttryk og ikke på det relative lufttryk.</p> <p>Vælg det relative lufttryk. Kalibrer eventuelt lufttrykket til de officielle oplyste størrelser. Se afsnit omkring kalibrering.</p>
<p>Regnmåleren oplyser nedbør, selvom det ikke regner.</p>	<p>Hvis ikke det udendørs sensor er opsat korrekt og monteret stabilt kan dette medføre at vippe anordningen i regnmåleren vipper / tæller ved f.eks vindstød.</p>
<p>Data registres ikke til Wunderground.com</p>	<ol style="list-style-type: none"> 6. Kontroller at dit password og adgangskode er korrekt. Det skal være det password du registrerede på Wunderground.com. Dit Wunderground.com password skal begynde med et bogstav. (En begrænsning fra Wunderground.com). Eksempel: \$oewkrf er ikke et valid password, men oewkrf\$ er valid. 7. Kontroller at dit vejrstation ID er korrekt. Vejrstations ID skal være store bogstaver. Den mest almindelige fejl indtastning af 0 istedet for O (eller visa versa). Eksempel, KAZPHOEN11, ikke KAZPH0EN11 8. Kontroller at dato og tide er korrekt på displayet. Hvis tid og dato ikke er korrekt får du gamle / forkerte data og ikke real time data. 9. Kontroller at din tids zone er sat korrekt. Hvis tids zonen er forkert for du forkerte data og ikke real time data.

Problem	Løsning
	10. Kontroller din routers firewalls. Displayet sender data via Port 80.
Ingen WiFi forbindelse.	<p>3. Check WiFi symbolet på displayet. Hvis der er trådløs forbindelse vil WiFi ikonet  kunne ses på displayet i tidsfeltet.</p> <p>4. Kontroller dine modem WiFi indtastninger er korrekte: (netværk navn og password).</p>

SÄÄASEMA AMMATTILAISKÄYTTÖÖN

Käyttöopas

Sisällysluettelo

1. Esittely	78
2. Varoitukset ja varotoimenpiteet	78
3. Pika-aloitusopas	78
4. Esiasennuksen testaus ja paikan tutkiminen	79
4.1 Esiasennuksen testaus	79
4.2 Paikan tutkiminen	79
5. Aloittaminen	80
5.1 Sisältö	80
5.2 Sensorin asentaminen.....	81
5.2.1 Asenna tuulisiiveke.....	81
5.2.2 Asenna tuulen nopeus	82
5.2.3 Asenna paristot	82
5.2.4 Aseta ulkosensori	83
5.2.5 Nollausnappi ja lähetin-LED.....	84
5.3 Parhaat menetelmät langattomaan viestintään	84
5.4 Näyttökonsoli	85
6. Näyttökonsolin käyttäminen.....	86
6.1 Näyttöruutu	86


6.2 Näyttökonsolin ensiasennus.....	87
6.3 Avaintoiminto	88
6.4 Asetustila	89
6.4.1 BEEP	90
6.4.2 MAX/MIN Daily.....	90
6.4.3 DST(kesäaika)	90
6.4.4 Aikavyöhyke	90
6.4.5 Aika / Päivämäärä	90
6.4.6 Paine	91
6.4.7 Valo.....	92
6.4.8 Lämpötila.....	92
6.4.9 Tuulennopeus.....	92
6.4.10 Sade	92
6.4.11 Kuun vaihe.....	93
6.5 Hälytystila	93
6.5.1 Hälytysarvon näyttö.....	93
6.5.2 Hälytystilan asettaminen	94
6.5.3 Hälytyksen asettamisen järjestys.....	95
6.6 Max/min-tila	95
6.7 Kalibrointitila.....	96
1. Kalibrointijärjestys	97
6.8 Muita ominaisuuksia.....	97
6.8.1 Tehdasasetusten palauttaminen/Muistin poistaminen	97
6.8.2 Taustavalo	97
6.8.3 Suuntausindikaattorit.....	98
6.8.4 Langattoman signaalin voimakkuuden osoittaja.....	98
6.8.5 Sää tiedote	99
6.8.6 Snooze-tila	99
7. WiFi-yhteyden asettaminen mobiililaitteella	99
7.1 Sääpalvelin	100
7.2 Sääasemakonsolin kytkeminen WiFi-yhteyteen	101
7.3 WeatherUnderground.com, WeatherBug.com ja WeatherCloud.net -sivustoille rekisteröityminen	106
8.Sanasto.....	110
9. Spesifikaatiot.....	113


10. Virrankulutus.....	114
11. Huolto.....	114
12. Ongelmanratkaisuopas.....	115
1. Esittely.....	78
2. Varoitukset ja varotoimenpiteet.....	78
3. Pika-aloitusopas.....	78
4. Esiasennuksen testaus ja paikan tutkiminen.....	79
4.1 Esiasennuksen testaus.....	79
4.2 Paikan tutkiminen.....	79
5. Aloittaminen.....	80
5.2 Sensorin asentaminen.....	81
5.3 Parhaat menetelmät langattomaan viestintään.....	84
6. Näyttökonsolin käyttäminen.....	86
7.3 WeatherUnderground.com, WeatherBug.com ja WeatherCloud.net -sivustoille rekisteröityminen	106
8. Sanasto.....	110
9. Spesifikaatiot.....	113
10. Virrankulutus.....	114
11. Huolto.....	114
12. Ongelmanratkaisuopas.....	115

1. Esittely

Kiitos siitä, että olet ostanut aurinkovoimalla toimivan langattoman Wi-Fi-sääaseman. Seuraava käyttöopas tarjoaa yksityiskohtaiset ohjeet koskien tuotteen asentamista ja toimintaa sekä ongelmanratkaisuosion.

2. Varoitukset ja varotoimenpiteet

 **Varoitus:** Mikä tahansa metalliesine saattaa vetää puoleensa salamaniskuja, sääaseman asennusvarsi mukaan lukien. Älä milloinkaan asenna sääasemaa myrskyn aikana.

 **Varoitus:** Sääaseman asentaminen korkealle paikalle saattaa johtaa loukkaantumiseen tai kuolemaan. Alkutarkastus ja käyttö tulee pyrkiä suorittamaan mahdollisimman pitkälle maan pinnalla ja rakennuksen tai kodin sisätiloissa. Asenna sääasema ainoastaan selkeän ja kuivan sään aikana.

3. Pika-aloitusopas

Käyttöoppaan kattavuudesta huolimatta suuri osa tiedosta saattaa olla intuitiivista. Tämän lisäksi käyttöopas ei välttämättä etene sujuvassa järjestyksessä johtuen siitä, että osiot on järjestetty komponenttien perusteella.

Seuraava Pika-aloitusopas käy läpi vain tärkeimmät vaiheet asennuksen suorittamiseksi, sääaseman käyttämiseksi ja Internetiin lataamiseksi, sekä niiden ohessa viittaukset asianmukaisiin osioihin.

Pakolliset vaiheet		
Vaihe	Vaihe	Osio
1	Kokoa ja aktivoi Y:n muotoinen sensori	5.2.
2	Aseta päälle näyttökonsoli ja synkronoi Y:n muotoisen sensorin kanssa	5.3-5.4
3	Aseta konsoliin päivämäärä ja aika	6.4.5
4	Kalibroi suhteellinen paine merenpinnan tason olosuhteiden mukaiseksi (paikallinen lentokenttä) konsolissa	6.7
5	Asenna sensoritaulu	6.4.10
Vapaaehtoiset vaiheet		
6	Asenna WiFi	7
7	Rekisteröi ja lataa sääasemaan	7

4. Esiasennuksen testaus ja paikan tutkiminen

4.1 Esiasennuksen testaus

Ennen sääaseman asentamista pysyvälle paikalleen suosittelemme sääaseman käyttämistä viikon ajan väliaikaisessa paikassa, jonne on helppo pääsy. Tämä mahdollistaa kaikkien toimintojen tarkistamisen ja toiminnan sujuvuuden sekä lisäksi helpottaa sääasemaan ja kalibrointimenetelmiin tutustumista. Lisäksi se mahdollistaa myös sääaseman langattoman kantoetäisyyden testaamisen.

4.2 Paikan tutkiminen

Suorita paikan tutkiminen ennen sääaseman asentamista. Ota huomioon seuraavat:

1. Sademittari tulee puhdistaa muutaman kuukauden välein ja uudelleenladattavat paristot tulee vaihtaa 2-3 vuoden välein. Pidä huoli siitä, että sääaseman luokse on helppo päästä.
2. Vältä säteilylämmön siirtymistä rakennuksista ja rakennelmista. Sijoita sensoritaulu vähintään 152 cm päähän rakennuksista, rakennelmista, maasta tai kattotasanteista.

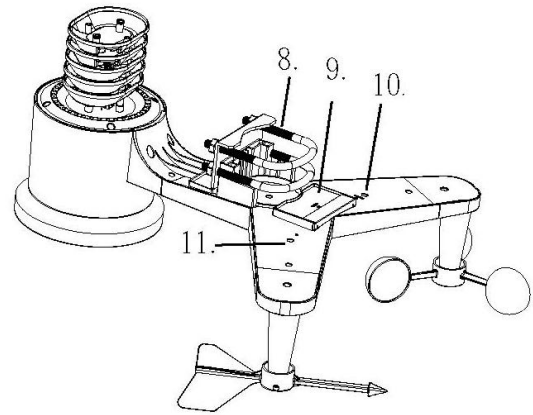
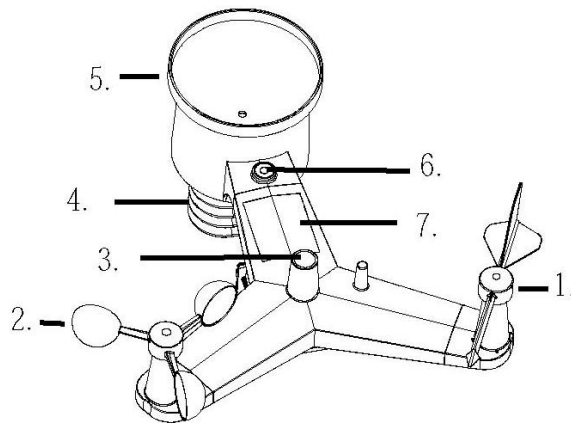
3. Vältä tuulesta ja sateesta johtuvia tukkeumia. Nyrkkisääntönä voidaan pitää sensoritaulun asentamista vähintään neljä kertaa korkeimman esteen pituutta kauemmaksi. Jos esimerkiksi rakennus on 6 metriä korkea ja asennusvarsi on 180 cm pitkä, asenna $4 \times (600 - 180) \text{ cm} = 1680 \text{ cm}$ päähän.
4. Langaton kantoetäisyys. Radioviestintäyhteys vastaanottimen ja lähetimen välillä avoimessa tilassa voi ylittää jopa 100 metrin pituudelle, mikäli yhteyden tiellä ei ole esteitä kuten rakennuksia, puita, kulkuneuvoja, korkeajännitelinjoja. Langattomat signaalit eivät läpäise metallirakennuksia. Yleisimmissä olosuhteissa maksimikantoetäisyys on 30 metriä.
5. Esimerkiksi tietokoneista, radioista tai televisioista johtuva radiointerferenssi voi pahimmillaan pysäyttää radioviestinnän kokonaan. Ole hyvä ja ota tämä huomioon konsolia tai sijoituspaikkoja harkitessasi. Huolehdi siitä, että näyttökonsoli on vähintään 1.5 metriä kaikista elektronisista laitteista interferenssin välttämiseksi.

5. Aloittaminen

5.1 Sisältö

LKM	Yksikkö
1	Vastaanotin
1	Lämpö- ja kosteusmittari-barometrin lähetin
1	Y:n muotoinen ulkosensori (sisältäen 1xLämpö- ja kosteusmittari / 1xSadeMittari / 1xLähetin / 1x varren asennuspihdit / 2xU-ruuvi / 4x ruuvit, koottuna)
1	Tuulisiiveke
1	Tuulennopeussensori
1	Sadesuppilo
1	5V DC-adaptori
1	Käyttöopas

5.2 Sensorin asentaminen



1.

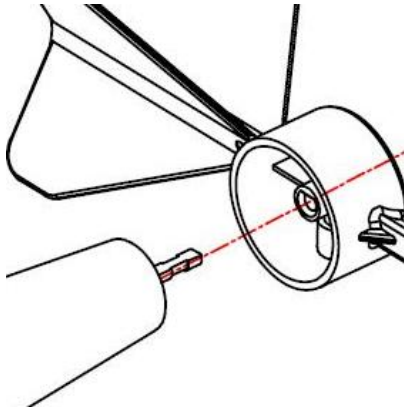
Tuulisiiveke

2. Tuulenopeussensori
3. UV-sensori / Valosensori
4. Lämpö- ja kosteussensori
5. Sateenkerääjä
6. Vatupassi
7. Aurinkopaneeli
8. U-ruuvi
9. Paristosäiliö
10. Resetointinappi
11. LED-merkkivalo: valo päällä 4s ajan yksikön päällä ollessa. Sen jälkeen LED välähtää kerran 16 sekunnin välein (sensorilähettimen päivitykseen kuuluva aika).

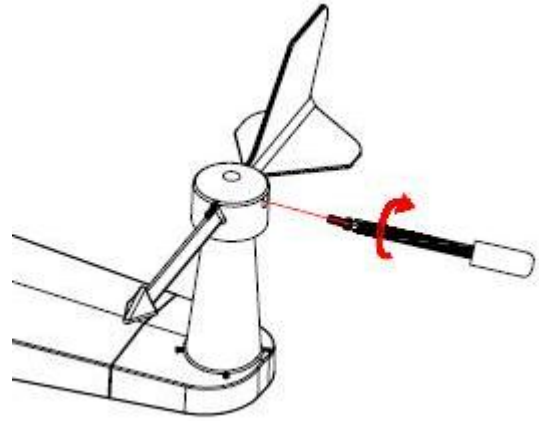
5.2.1 Asenna tuulisiiveke

Työnnä tuulisiiveke akseliin Kuvion 1 osoittamalla tavalla.

Kiristä asetettu ruuvi Kuvion 2 osoittamalla tavalla. Varmista, että tuulisiiveke pyörii vapaasti.



Kuvio 1



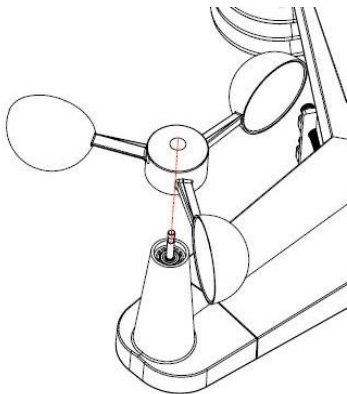
Kuvio 2

Siivekkeen ympärillä on neljä kirjainta: "N", "E", "S" ja "W". Ne edustavat kutakin ilmansuuntaa: pohjoista, itää, etelää ja länttä. Tuulensuuntasensori täytyy säätää siten, että sensorin suunnat täsmäävät oikeaan sijaintiin. Pysyvä virhe tuulensuunnassa esiintyy silloin kun tuulensuuntasensoria ei sijoiteta oikein asennustoimenpiteen aikana.

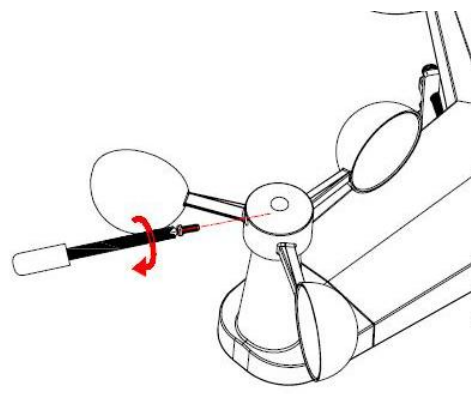
5.2.2 Asenna tuulen nopeus

Paina tuulennopeus akseliin Kuvion 4 osoittamalla tavalla.

Kiristä asetettu ruuvi Kuvion 5 osoittamalla tavalla. Varmista, että tuulennopeus pyörii vapaasti.



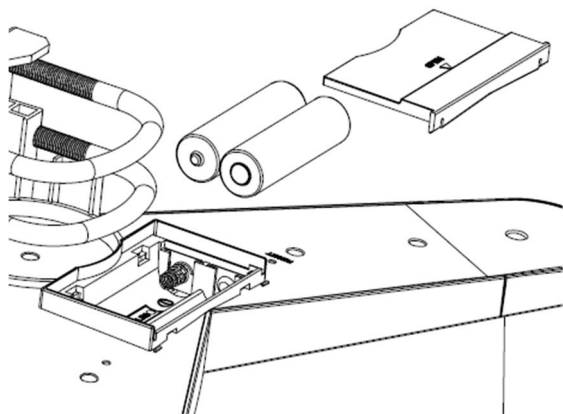
Kuvio 4



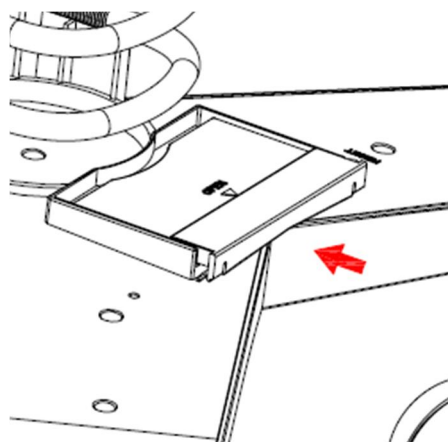
Kuvio 5

5.2.3 Asenna paristot

Aseta 3X uudelleenladattavaa AA-paristoa paristokoteloon. Lähettimen takapuolella oleva LED-valo syttyy neljän sekunnin ajaksi ja vilkkuu normaalisti 16 sekunnin välein (sensorilähettimen päivitykseen kuluva aika).



Kuvio 6

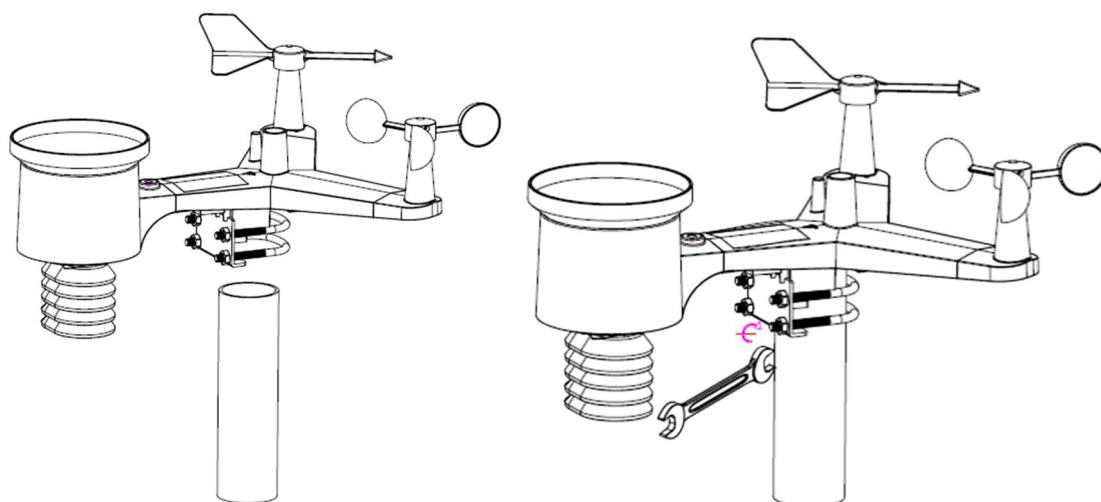


Kuvio 7

Huomaa: Mikäli LED-valo ei syty tai se on päällä jatkuvasti, tarkista, että paristo on asennettu oikein ja että uudelleenasennus on suoritettu kunnolla. Älä asenna paristoa väärinpäin. Se voi pysyvästi vahingoittaa lämpö- ja kosteusmittaria.

5.2.4 Aseta ulkosensori

Ulkosensorin asettaminen asennusvarteen (ostetaan erikseen) U-ruuveilla Kuvion 6 osoittamalla tavalla.



Kuvio 8

Kuvio 9

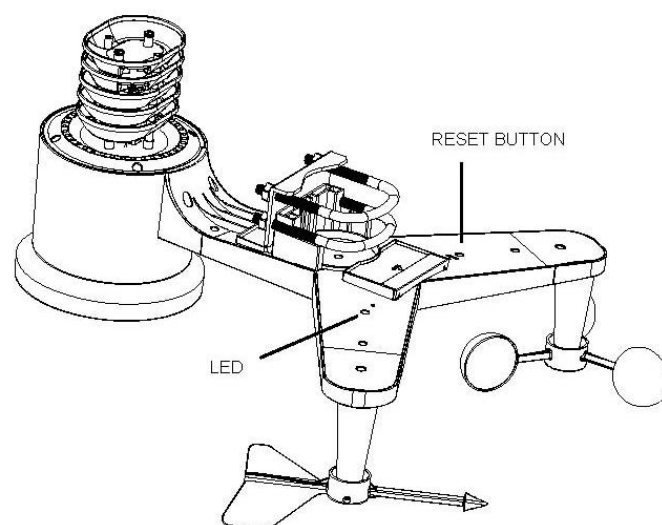
Varmista sensoreiden tasaisuus käyttämällä vatupassia ohjeistuksena sadesensorin vieressä.

5.2.5 Nollausnappi ja lähetin-LED


Mikäli sensoritaulu ei välitä tuloksia, nollaa sensoritaulu.

Avointa paperinliitintä käyttämällä paina ja pidä pohjassa **RESET-NAPPIA** kolmen sekunnin ajan jännitteen vapauttamiseksi.

Laita paristot takaisin ja synkronoi konsolin kanssa uudelleen sammuttamalla ja käynnistämällä konsolia sensoritaulun avulla noin kolmen metrin etäisyydeltä.



5.3 Parhaat menetelmät langattomaan viestintään

 **Huomaa:** Kunnollisen viestinnän varmistamiseksi aseta kaukosensori(t) pystysuoralle pinnalle kuten esimerkiksi seinälle. **Älä aseta sensoria vaakatasoon.**

Langaton yhteys on altis interferenssille, etäisyydelle, seinille ja metalliesteille. Suosittelemme seuraavien parhaimpina pidettyjen käytäntöjen noudattamista ongelmattoman langattoman viestinnän takaamiseksi.

1. **Elektromagneettinen interferenssi (EMI).** Pidä konsoli ainakin metrin päässä tietokone monitoreista ja TV:istä.
2. **Radiotaajuusinterferenssi (RFI).** Mikäli sinulla on muita 433 MHz:n laitteita ja viestintä

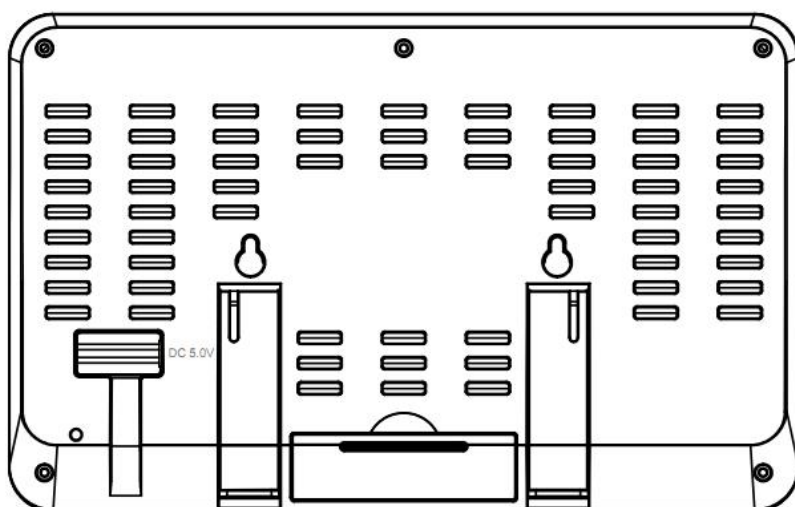
on katkeilevaa, kokeile näiden muiden laitteiden sammuttamista ongelman ratkaisemiseksi. Lähettimien tai vastaanottamien paikallistaminen saattaa olla tarpeen katkeilevan viestinnän välttämiseksi.

3. **Näkyvyysmääritelmä.** Tämä laite on arvioitu 91.5 metrin näköetäisyydelle (ilman häiriöitä, esteitä tai seiniä), mutta yleensä näköetäisyys asettuu enimmillään noin 30 metrin tienoille suurimmassa osassa tavallisia olosuhteita), joka sisältää erilaisten esteiden tai seinien läpäisemisen.
4. **Metalliesteet.** Radiotaajuus ei läpäise metalliesteitä kuten alumiinivuorausta. Mikäli paikassa on alumiinipäällystettä, aseta kaukosäädin ja konsoli ikkunaa vasten siten, että näkyvyys on suora.

Seuraavaksi esitellään taulukko yhteyssignaalin pienenemisestä eri aineiden kohdalla. Jokainen "seinä" tai este vähentää välitysetäisyyttä allamainitun mukaisesti.

Materiaali	Radiotaajuussignaalin voimakkuuden pieneneminen
Lasi (käsittelemätön)	5-15%
Muovit	10-15%
Puu	10-40%
Tiili	10-40%
Betoni	40-80%
Metalli	90-100%

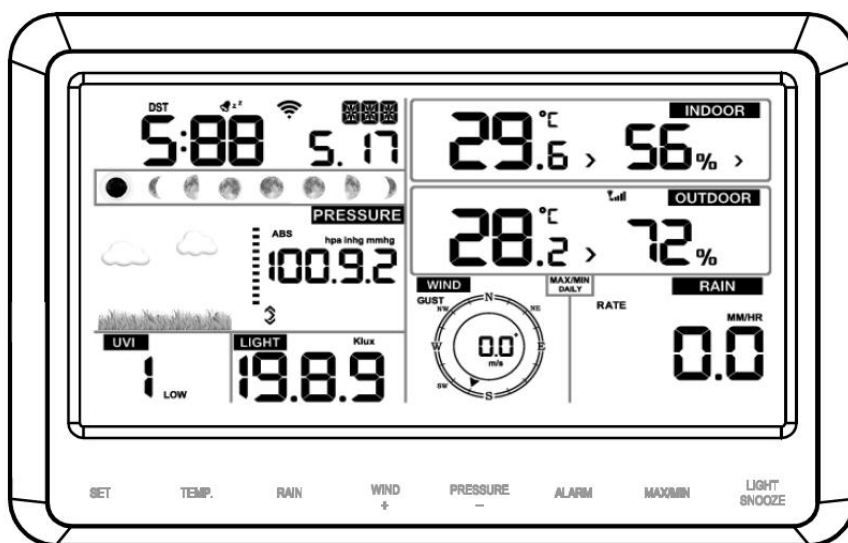
5.4 Näyttökonsoli



1. Syötä 5V AC-adaptori näyttökonsolin takaosaan.

Huomaa: Sijoita ulkosensoritaulu noin 1.5 - 3 metriä näyttökonsolista ja odota usean minuutin ajan, jotta kaukosensorit synkronoisivat näyttökonsolin kanssa.

2. Syötä 3 AAA-paristoa näyttökonsoliin (vapaaehtoinen).
3. Pidä sekä sensori että näyttökonsoli yhdessä 15 minuutin ajan sensorisignaaleiden lukitsemiseksi.
4. (Vapaaehtoinen)-Pyöräytä tuulikuppeja tuulienopeuden simuloimiseksi. Vie sensori pesualtaaseen ja tiputa hiljalleen vettä vesiämpäriin sateen simuloimiseksi.
5. 15 minuutin kuluttua seuraa asennusohjeita sensoreiden oikein sijoittamiseksi.

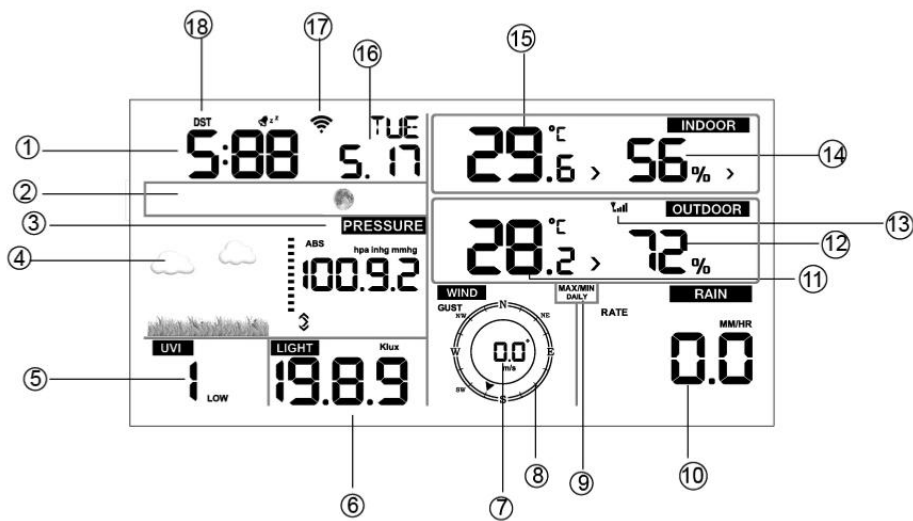


Huomaa: Näyttökonsolissa tulisi näkyä tekstiä kaikissa osioissa. Tuuli ja Sade näyttävät lukuja 0 (yhdistettynä) kunnes tuulta tai sadetta esiintyy tai niitä simuloidaan.

Huomaa: Mikäli käytät näyttökonsolin käynnistämiseen ainoastaan paristoa, täytyy silloin painaa LIGHT/SNOOZE-nappia LCD:n valaisemiseksi ennen minkään muun napin painamista.

6. Näyttökonsolin käyttäminen

6.1 Näyttöruutu



1. Aika	10. Sademäärä
2. Kuun vaihe	11. Ulkolämpötila
3. Barometrinen paine	12. Ulkoilmankosteus
4. Sää tiedote	13. RF-ikoni
5. UV-indeksi	14. Sisäilmankosteus
6. Valo	15. Sisälämpötila
7. Tuulennopeus	16. Päivämäärä
8. Tuulensuunta	17. WIF-ikoni
9. MAX/MIN Päivittäin	18. DST

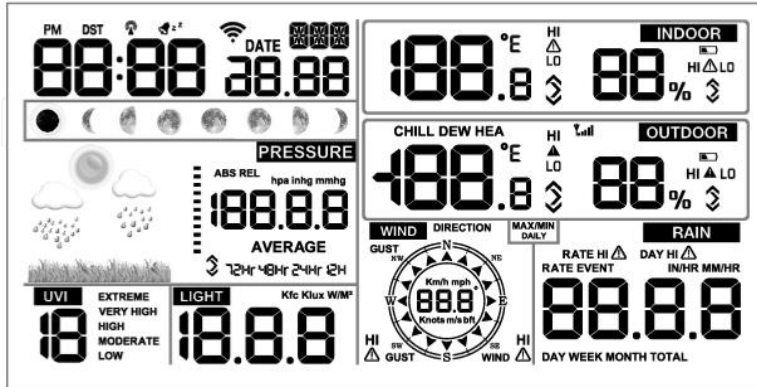
6.2 Näyttökonsolin ensiasennus

Yhdistä virtalähde näyttökonsolin käynnistämiseksi.

Yksikkö näyttää ohjelmistoversion numeron kaksi sekuntia virran uudelleen käynnistämisen jälkeen.

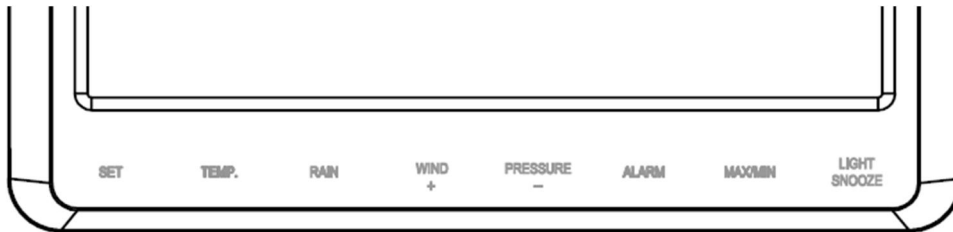


Yksikkö käynnistää kaikki LCD:n osiot kolmen sekunnin ajaksi virran uudelleenkäynnistämisen jälkeen ja alkaa rekisteröidä ulkokanavaa kolmen minuutin ajan.



6.3 Avaintoiminto

Konsolilla on kahdeksan painiketta helpon käytön takaamiseksi.



Painike	Kuvaus
SET	Paina tätä näppäintä asetustilaan pääsemiseksi
TEMP.	Paina tätä näppäintä nähdäksesi Tuulen kylmyys-/lämpöindeksin, Kastepistelämpötilan Paina TEMP-painiketta 5s ajan, jolloin uusi lähetin rekisteröityy
RAIN	Paina tätä näppäintä nähdäksesi Sadelukeman, tapahtuman, Sateen päivässä, Sateen viikossa, Sateen kuukaudessa ja Sateen yhteensä Paina RAIN-painiketta asettaaksesi tämänhetkisen sadenäytön uudelleen
WIND +	Paina tätä näppäintä tarkastellaksesi tuulenpuuskaa ja tuulensuuntaa
PRESSURE	Paina tätä näppäintä nähdäksesi Absoluuttisen Paineen keskiarvon 12 tunnilta, 24 tunnilta, 48 tunnilta ja 72 tunnilta Paina ja pidä pohjassa 2s tätä näppäintä nähdäksesi absoluuttisen ja suhteellisen paineen
ALARM	Paina tätä näppäintä nähdäksesi Lämpötilan / Ilmankosteuden / sademäärän/sateen päivässä/tuulen hälytysarvon
MAX/MIN	Paina tätä näppäintä nähdäksesi MAX-/MIN-arvot Lämpötilalle / Ilmankosteudelle/sademäärälle/sateelle päivässä/tuulelle/UVI:lle/VALOLLE/Absoluuttiselle paineelle
LIGHT /SNOOZE	Paina tätä näppäintä säätääksesi LCD-taustavalon kirkkautta: HI/MID/OFF

Huomaa:

- 1) Virran ollessa päällä, paina **SET**-painiketta nollataksesi sääaseman ja poistaaksesi kaiken muistista, jolloin käyttöasetukset palaavat oletustilaan.
- 2) Virran ollessa päällä, paina **TEMP.** -painiketta ohittaaksesi RF-signaalin vastaanottaminen.
- 3) Asetustilassa paina **WIND/+**- tai **PRESSURE/-** -näppäintä, jolloin yksikön voi valita tai arvoa voi rullata; pitämällä pohjassa **WIND/+**- tai **PRESSURE/-** -näppäintä 2 sekunnin ajan numerot nousevat/laskevat nopeammin.
- 4) Asennustilasta pääsee poistumaan milloin tahansa joko painamalla **LIGHT /SNOOZE** -painiketta tai odottamalla 30 sekunnin kuluttua tapahtuvaa aikakatkaisua.

6.4 Asetustila

Paina **SET**-näppäintä 2 sekunnin ajan päästäksesi sisään asetustilaan. Perusasetukset

voidaan nyt suorittaa seuraavassa järjestyksessä:

6.4.1 BEEP



- Paina **SET**-näppäintä 2 sekunnin ajan valitaksesi piippauskohdan, ON/OFF-osion numerot alkavat vilkkumaan, jolloin tulee painaa **WIND/+**- tai **PRESSURE/-** -painiketta ja valita ON tai OFF.

“BEEP ON” saa piippausäänen soimaan jokaisella napinpainalluksella. Mikäli et halua kuulla piippausääntä, valitse “BEEP OFF”

6.4.2 MAX/MIN Daily



- Paina **SET**-näppäintä kahdesti valitaksesi **MAX/MIN Daily** -kohdan. ON/OFF-kohdan numerot alkavat vilkkumaan, jolloin tulee painaa **WIND/+**- tai **PRESSURE/-** -painiketta ja valita ON tai OFF. (Oletus on ON,ON: nollautuu klo 0.00 päivittäin).

6.4.3 DST(kesäaika)



- Paina **SET**-näppäintä kolmannen kerran valitaksesi **Daylight saving time** -kohta. ON/OFF-kohdan numerot alkavat vilkkumaan, jolloin tulee painaa **WIND/+**- tai **PRESSURE/-** -näppäintä ja valita ON tai OFF. (oletus ON, vain WWVB)

6.4.4 Aikavyöhyke



- Valitse **SET**-painike neljännen kerran päästäksesi **Time zone** -osioon. Aikavyöhykeosion numerot alkavat vilkkumaan, jolloin tulee painaa **WIND/+**- tai **PRESSURE/-** -näppäintä arvon asettamiseksi. (taso: -12 - +12, oletus: -5)

6.4.5 Aika / Päivämäärä



- Paina **SET**-näppäintä viidennen kerran valitaksesi 12-/24-tunnin ajan (oletus: 24 tuntia).
- Paina **SET**-näppäintä kuudennen kerran valitaksesi tuntikohdan.
- Paina **SET**-näppäintä seitsemännen kerran valitaksesi minuuttikohdan.
- Paina **SET**-näppäintä kahdeksannen kerran valitaksesi DD-MM- tai MM-DD-formaatin (Oletuksena DD-MM-formaatti)
- Paina **SET**-näppäintä yhdeksännen kerran valitaksesi vuoden.
- Paina **SET**-näppäintä kymmenennen kerran valitaksesi kuukauden.
- Paina **SET**-näppäintä uudelleen valitaksesi päivän.

Huomaa: Paina **WIND/+**- tai **PRESSURE/-**-näppäintä asettaaksesi arvon.

Huomaa: Mikäli käyttäjä muuttaa minuuttiarvoa, sekunti muuttuu automaattisesti nolaksi.

6.4.6 Paine



- Paina **SET**-painiketta 12 kertaa valitaksesi ABS. Paineyksikkö (hpa, mmhg tai inhg;default: hpa).
- Paina **SET**-näppäintä 12 kertaa valitaksesi REL. Painearvo.

Huomaa: Paina **WIND/+**- tai **PRESSURE/-**-näppäintä arvon valitsemiseksi.

Huomaa: normaalitilassa paina ja vapauta **PRESSURE/-**-painike nähdäksesi keskimääräinen 12 tunnin, 24 tunnin, 48 tunnin ja 72 tunnin paine. Paina ja pidä pohjassa 2s ajan **PRESSURE/-**-painiketta nähdäksesi absoluuttisen ja suhteellisen paineen

6.4.7 Valo



- Paina **SET**-painiketta 14 kertaa valitaksesi valoyksikön (lux, fc, w/m2; oletus: w/m2).

6.4.8 Lämpötila



- Paina **SET**-näppäintä 15 kertaa valitaksesi sisä-/ulkolämpötilayksikön (C tai F; oletus: C).
- Normaalityllassa paina **TEMP.** -painiketta nähdäksesi Tuulen kylmyyden, Lämpöindeksin, Kastepistelämpötilan. Paina **TEMP.** -nappia viiden sekunnin ajan, jolloin uusi lähetin rekisteröityy.

Huomaa: Joka 60 sekunnin välein yksikkö mittaa sisälämpötilan, ulkoilmankosteuden ja paineen. Mikäli lämpötila on matalampi kuin minimiala, näkyy ruudussa silloin --.-, ja mikäli se on korkeampi kuin korkein ala, näkyy ruudussa silloin --.-.

6.4.9 Tuulennopeus



- Paina **SET**-nappia 16 kertaa valitaksesi tuulennopeuden yksikön (km/t, mpt, solmut, m/s, bft; oletus: km/t).
- Normaalityllassa paina ja vapauta **WIND/+** -näppäin nähdäksesi tuuli, tuulenpuuska ja tuulensuunta.

6.4.10 Sade



- Paina **SET**-nappia 17 kertaa valitaksesi sadeyksikön (tuumat/millimetrit; oletus: mm).

Normaalityllassa paina ja vapauta RAIN-painike nähdäksesi sademäärän, tapahtuman, päivä-, viikko- ja kuukausikohtaisen sateen ja kokonaismäärän.

Paina RAIN-painiketta 2 sekunnin ajan nykyisen sadenäytön nollaamiseksi.

Huomaa:

IReset week rain, nollaa automaattisesti päivän sateen

IReset month rain, nollaa automaattisesti viikon ja päivän sateen.

IReset total rain, nollaa automaattisesti kuukauden, viikon ja päivän sateen.

Huomaa:

uRain rate: viimeisen 10 minuutin sademäärä kerrottuna 6:lla.

uRain event: sateen aikana alkaa sadetapahtuma, mikäli yhden päivän aikana (00.00-24.00) ei sada tai sadetta on alle 10 mm, on sadetapahtuma päättynyt.

uDay: määrittyy kalenteripäivän perusteella, eli 0.00 - 24.00 senhetkisenä päivänä.

uWeek: määrittyy kalenteriviikon perusteella, eli sunnuntai - lauantai.

uMonth: määrittyy kalenterikuukauden perusteella, eli 1. tammikuuta - 31. tammikuuta.

uTotal: juokseva yhteismäärä siitä kun asema laitettiin päälle

Huomaa: lähetin lähettää tuulennopeuden, tuulensuunnan, sademäärän joka 16. sekunti

6.4.11 Kuun vaihe



- Paina **SET**-nappia 18 kertaa valitaksesi pohjoinen tai eteläinen pallonpuolisko

6.5 Hälytystila

6.5.1 Hälytysarvon näyttö

1) Paina ja vapauta **ALARM**-painike korkeahälytyksen näyttämiseksi



2) Paina **ALARM**-painiketta uudelleen matalahälytyksen näyttämiseksi




Huomaa:

- Paina **RAIN**-painiketta valitaksesi näyttölukema tai päivän sadehälytyksen tiedot.
- Paina **WIND/+** -näppäintä valitaksesi näytölle tuulen tai tuulenpuuskan tiedot.
- Paina **ALARM**-nappia kolme kertaa tai paina **LIGHT /SNOOZE** -painiketta päästäksesi takaisin normaalitilaan.

6.5.2 Hälytystilan asettaminen

- 1) Paina ja pidä pohjassa 2 sekunnin ajan **ALARM**-näppäintä päästäksesi hälytyksenasetustilaan:
- 2) Paina **WIND/+** tai **PRESSURE/-** -painiketta pannaksesi päälle/pois päältä hälytykset ja säätääksesi hälytysarvoja.
- 3) Paina **SET**-näppäintä vahvistaaksesi & siirtyäksesi seuraavaan kohtaan.
- 4) Paina **ALARM**-painiketta laittaaksesi hälytyksen päälle/pois päältä. alarm

Huomaa: kun hälytys menee päälle, senhetkisen käynnistyksen aiheuttaja  aikaa

kuvaava ikoni  korkeimman arvon ikoni ja  matalimman arvon ikoni vilkkuvat osoittaen hälytyksen menneen päälle.

Huomaa: paina **ALARM**-painiketta kolme kertaa päästäksesi takaisin normaalitilaan tai paina **LIGHT /SNOOZE**-painiketta päästäksesi normaalitilaan.

6.5.3 Hälytyksen asettamisen järjestys

- 1) Aikahälytyksen asettaminen
- 2) Sisäilmanlämpötila korkein asetus
- 3) Sisäilmanlämpötila matalin asetus
- 4) Sisäilmankosteus korkein asetus
- 5) Sisäilmankosteus matalin asetus
- 6) Ulkoilmanlämpötila korkein asetus
- 7) Ulkoilmanlämpötila matalin asetus
- 8) Ulkoilmankosteus korkein asetus
- 9) Ulkoilmankosteus matalin asetus
- 10) Korkein tuuli asetus
- 11) Korkein tuulenpuuska asetus
- 12) Sateen määrä korkein asetus
- 13) Sadetta päivässä korkein asetus

6.6 Max/min-tila

6.6.1 Paina ja vapauta **MAX/MIN**-painike MAX-tietojen näyttämiseksi



- Paina **TEMP.** -painiketta tarkastellaksesi tuulen kylmyyttä, lämpöindeksiä ja kastepistemaksimia.

- Paina **RAIN**-painiketta tarkastellaksesi sademäärää, maksimimäärää sadetta päivässä,

sadetta viikossa ja sadetta kuukaudessa.

- Paina **WIND/+** tarkastellaksesi tuulenpuuskamaksimia.
- Paina **PRESSURE/-** pohjassa kahden sekunnin ajan tarkastellaksesi paineen absoluuttista ja suhteellista maksimia.

6.6.2 Paina uudelleen minimitietojen näkymiseksi.



- Paina **TEMP.** -painiketta tarkastellaksesi tuulen kylmyyttä ja kastepisteen minimilukemaa.
- Paina **PRESSURE/-** pohjassa kahden sekunnin ajan tarkastellaksesi paineen absoluuttista ja suhteellista minimiä.

Huomaa: paina ja pidä pohjassa 2s ajan **MAX/MIN** -painiketta nollataksesi kaikki maxit ja minit.

paina **MAX/MIN** -painiketta kolmannen kerran palataksesi normaalitilaan tai paina **LIGHT /SNOOZE** -painiketta palataksesi normaalitilaan.

6.7 Kalibrointitila

Paina **TEMP-** ja **MAX/MIN**-painikkeita samanaikaisesti viiden sekunnin ajan kalibrointitilaan päästäksesi.



- Paina **WIND/+** ja **PRESSURE/-** painikkeita arvojen säätämiseksi.
- Paina **SET**-painiketta vahvistaaksesi & siirtyäksesi seuraavaan kohtaan.
- Paina **HÄLYTYS**-painiketta nollataksesi kaikki säädetyt arvot.
- Paina **LIGHT /SNOOZE** -painiketta milloin tahansa poistuaaksesi.

6.7.1 Kalibrointijärjestys

- 1) ISisälämpötilan kuittaus kalibroitu (ala +/-9F, oletus: 0 astetta)
- 2) ISisäilmankosteuden kuittaus kalibroitu (ala +/-9%)
- 3) IUkolämpötilan kuittaus kalibroitu (ala +/-9F, oletus: 0 astetta)
- 4) UIkoilmankosteuden kuittaus kalibroitu (ala +/-9%)
- 5) IAbsoluuttisen paineen kuittaus kalibroitu (ala +/-10hpa)
- 6) ITuulensuunnan kuittaus kalibroitu (säätö asteittain)
- 7) ITuulennopeustekijän säätö, oletus 100% (ala50% - 150%) i
- 8) ISadetekijän säätö, oletus 100% (ala50% - 150%)

6.8 Muita ominaisuuksia

6.8.1 Tehdasasetusten palauttaminen/Muistin poistaminen

- 1) Virran ollessa kytkettynä, paina **TEMP.** -näppäintä ohittaaksesi RF-signaalin vastaanoton.
- 2) Virran ollessa kytkettynä, koko näytön jälkeen paina **WIND/+** - **PRESSURE/-** -painiketta sääaseman nollaamiseksi ja muistin tyhjentämiseksi, jolloin käyttöasetukset palautuvat oletustilaan.
- 3) Paina **LIGHT /SNOOZE** -painiketta viiden sekunnin ajan, jolloin uusi lähetin rekisteröityy.

6.8.2 Taustavalo (jatkuva taustavalo vaatii DC-adapterin kytkemistä)

- 1) AC-adapterilla.

Paina **LIGHT /SNOOZE** -painiketta muuttaaksesi LCD-taustavalon kirkkautta: HI/MID/OFF

2) ilman DC-adapteria




Normaalitilassa 15 sekunnin ajan ilman kosketusnäppäimiä lepotilaan, taustavalo sammutetaan ja kosketusnäppäimet poistetaan käytöstä.

3) Pidä **LIGHT /SNOOZE** -painiketta lepotilassa tai kytke DC-adapteriin herätystarvikkeet. (**LIGHT /SNOOZE** -painiketta on pidettävä pohjassa kunnes taustavalo vapauttaa painikkeen)

6.8.3 Suuntausindikaattorit

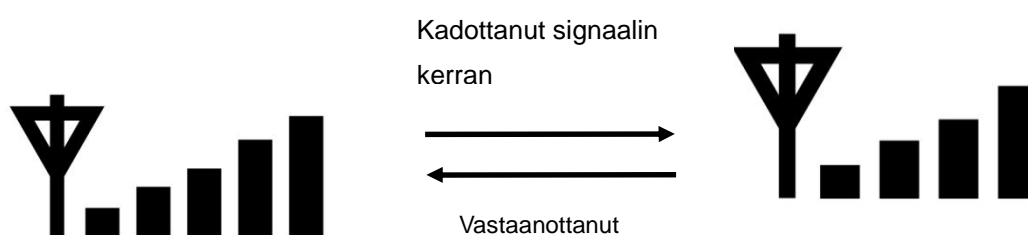
- 3 tunnin vertailu, joka muuttuu joka ½ tunnin välein

- Esim.: Klo 15.00 - vertaile klo 12.00:n dataan; klo 15.30 vertaile klo 12.30:n dataan... jne.

Suuntausin dikaattorit		Ilmankosteus	Lämpötila	Paine
	Nouseva	Nouseva > 3%	Nouseva >= 1C/2F	Nouseva > 1hpa
	Tasainen	Muutos <= 3%	Muutos < 1C/2F	Muutos <= 1hpa
	Laskeva	Laskeva > 3%	Laskeva >= 1C/2F	Laskeva > 1hpa

6.8.4 Langattoman signaalin voimakkuuden osoittaja

Synkronisoinnin aikana katoaa yksi signaalipalkki, mikäli signaalia ei ole vastaanotettu kertaakaan lähettimestä. Yksi signaalipalkki tulee lisää silloin kun se on vastaanottanut signaalin kerran.



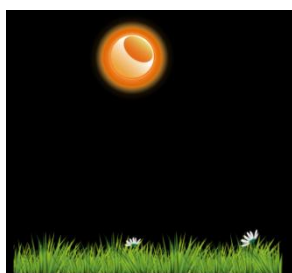
6.8.5 Säätiedote: Aurinkoista, Osittain aurinkoista, Pilvistä, Sateista, Myrskyistä ja Lumisadetta

Kun Ulkolämpötila on alle 0 C (32 F) ja säätiedotus ennakoi SATEISTA tai MYRSKYISTÄ säätä, LCD-näytössä lukee silloin LUMISADETTA.

6.8.6 Snooze-tila

Kun aika hälyttää, paina **LIGHT /SNOOZE** -painiketta torkuttaaksesi aikahälytystilassa. Paina jotain muuta näppäintä snooze-tilasta poistuaksesi.

Snooze-tilassa hälytys soi uudelleen 10 minuutin kuluttua.



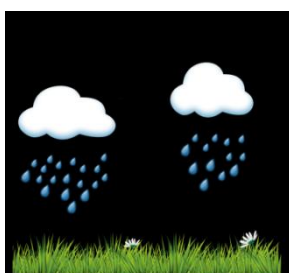
Aurinkoinen



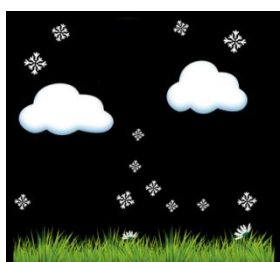
Osittain aurinkoinen



Pilvinen



Sateinen



Luminen

7. WIFI-yhteyden asettaminen mobiililaitteella

WiFi-yhteydessä ollessa sisälämpötilaa ei mitata ja sisälähetin korvaa sen.

Mikäli WiFi-moduuliyhteydessä, vaaditaan DC-virtakytkentä, sillä muuten WiFi ei toimi.

WiFi tukee ainoastaan nykyisen datan lataamista sääserverille ja ajaksi tulee Internetin aika.

7.1 Sääpalvelin

Sääasema lähettää dataa kaksi maksuttomaan ylläpitopalveluun:

Vastaava ylläpitopalvelu	Verkkosivu	Kuvaus
Weather Underground	WeatherUndeground.com	Weather Underground on maksuton säätietojen ylläpitopalvelu, joka mahdollistaa sääasemasi tietojen lähettämisen ja tarkastelemisen reaaliajassa, taulukkojen ja mittareiden tarkastelun, tekstidatasiirron yksityiskohtaisempaa analyysia varten ja Wunderground.comissa tarjolla olevien iPhone-, iPad sekä Android-sovellusten käytön. Weather Underground on The Weather Channelin ja IBM:n tytäryhtiö.
Weather Cloud	WeatherCloud.net	Weathercloud on reaaliaikainen sosiaalinen sääverkosto, jonka muodostavat havainnoitsijat ympäri maailmaa.

7.2 Sääasemakonsolin kytkeminen WiFi-yhteyteen

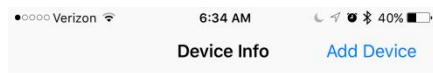
WiFi-ominaisuus toimii ainoastaan AC-virtalähteeseen kytkettynä korkeampien virtavaatimusten vuoksi.

Sääaseman kytkeminen WiFi-verkkoon edellyttää ensin sovelluksen lataamista jostain seuraavista vaihtoehdoista:

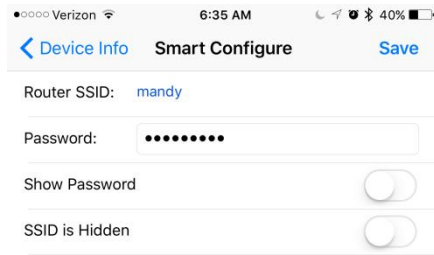
- Apple App Store
- Google Play Store

1. Käy Applen App Storessa tai Googlen Play Storessa mobiililaitteellasi ja etsi **“WS Tool”** -sovellusta. Lataa tämä sovellus mobiililaitteeseesi.

2. Käynnistä sääasemasovellus ja valitse **Add Device**.



3. Pidä huolta siitä, että mobiililaitteesi on kytkettynä WiFi-verkkoosi. Syötä salasana reitittimellesi ja valitse **Tallenna**.



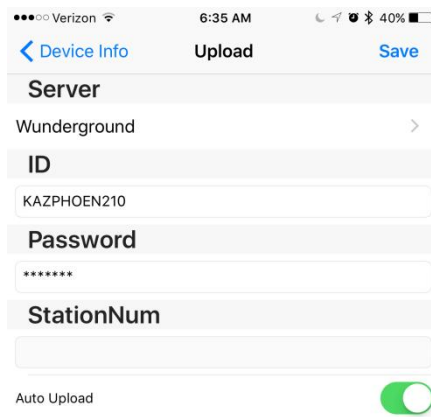
4. Esimerkki allaolevassa kuvassa. Mikäli WiFi-ikoni ei vilku nopeasti, (1) paina ja pidä pohjassa **RAIN-** ja **ALARM-**näppäimiä samanaikaisesti neljän sekunnin ajan. (2) WiFi-ikoni alkaa vilkkumaan nopeasti, joka kertoo konsolin etsivän WiFi-verkkoasi.



5. Kun konsoli on kytkettyä WiFi-verkkoosi, näytetään laitteen Mac-osoite ja IP-osoite.



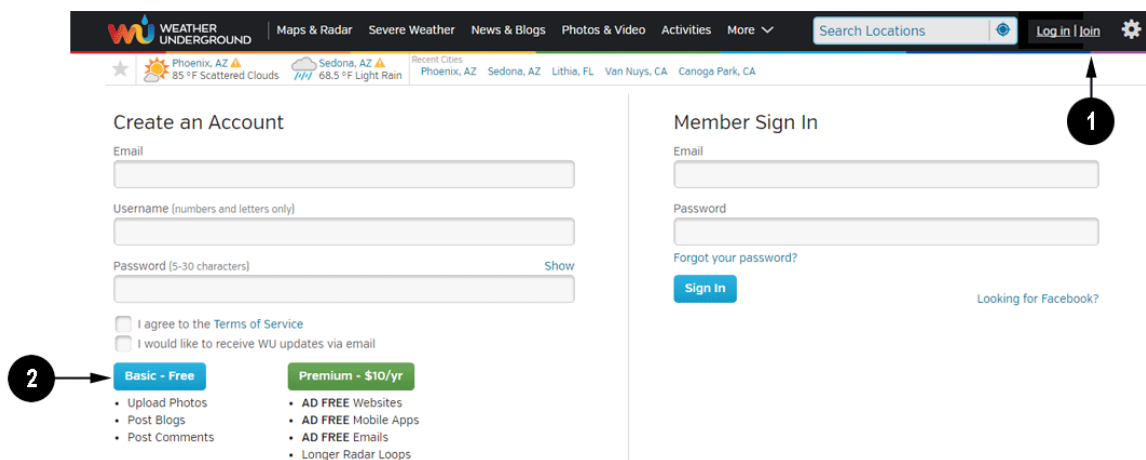
6. Syötä Wunderground.comin ja WeatherCloud.netin Asema-ID, Salasana ja StationNum (katso Osio 8).



7.3 WeatherUnderground.com, WeatherCloud.net -sivustoille rekisteröityminen

7.3.1 WeatherUnderground.com

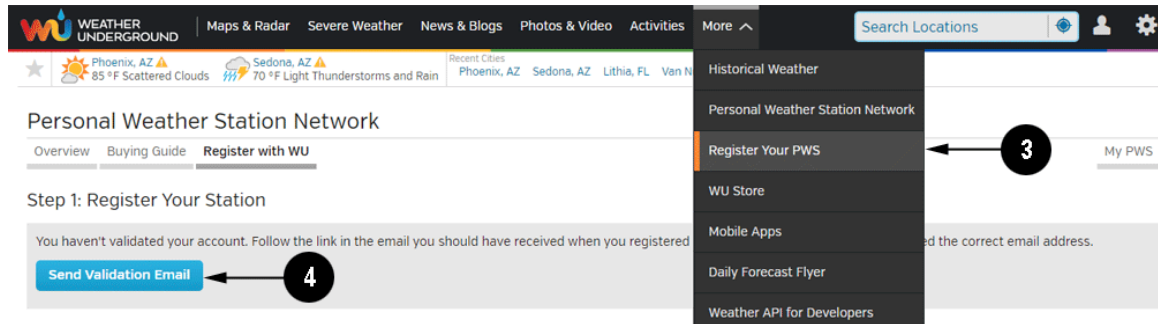
Vieraile Wunderground.comissa ja valitse **Join**-linkki sivun yläosasta. Valitse **Free**-rekisteröitymisvaihtoehto.



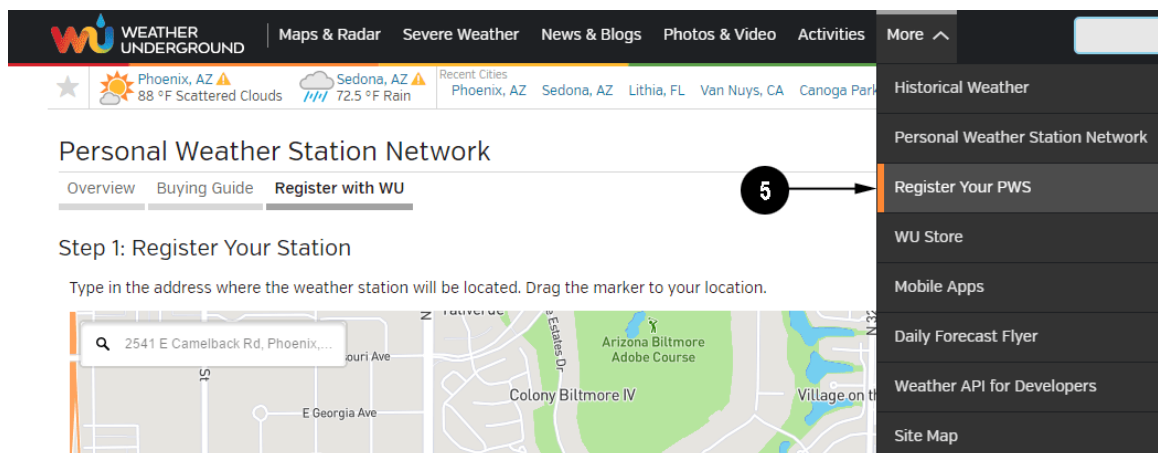
1. Valitse **More | Register Your PWS**.

2. Klikkaa **Send Validation Email**. Vastaa Wundergroundilta saapuvaan

vahvistussähköpostiin (saattaa viedä pari minuuttia).



3. Valitse uudelleen More | Register Your PWS ja syötä kaikki pyydetävät tiedot.



4. Asemasi rekisteröimisen jälkeen kirjaa ylös seuraavat:

- Aseman ID
- Aseman avain / Salasana

Syötä Aseman ID (ID), Aseman avain (Salasana) ja Asemanumero (StationNum) Ambient Tool -työkaluun. Jätä StationNum-kenttä tyhjäksi.

Seuraava kuva on esimerkki ja oman asemasi ID ja salasana ovat erilaisia.

Congratulations. Your station is now registered with Wunderground!

You are almost done. Now go to your weather station software and add the following:

Your Station ID:

KAZPHOEN424

Your Station Key/Password:

mdreeley

Huomaa: Asemasi ID on seuraavassa muodossa: KSSCCCC###, jossa K:ta käytetään asemalle Yhdysvalloissa (I on kansainvälinen), SS on osavaltiosi, CCCC on kaupunkisi ja ### on kyseisen kaupungin asemanumero.

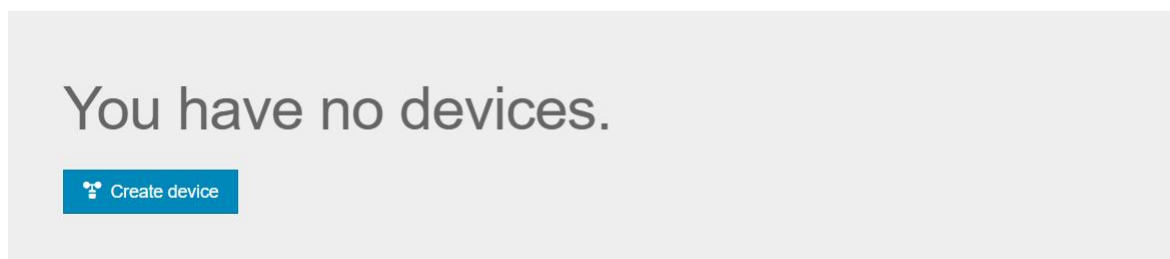
Ylläolevassa esimerkissä KAZPHOEN424 on Yhdysvalloissa (K), Arizonan osavaltiossa (AZ), Phoenixin kaupungissa (PHOEN) ja #424.

7.3.3 WeatherCloud

1. Käy osoitteessa WeatherCloud.net ja syötä Käyttäjänimi, Sähköposti ja Salasana.



2. Vastaa WeatherCloudilta tulevaan vahvistussähköpostiin (saattaa kestää muutaman minuutin).



3. Valitse **Create Device** ja syötä sääasemasi tiedot. Asemasi rekisteröimisen jälkeen kirjaa ylös seuraavat:

- Weathercloud-ID
- Avain

Syötä Weathercloud-ID (ID), Avain (salasana) Ambient Tool -työkaluun. Jätä Asemanumero (StationNum) tyhjäksi.

8.Sanasto

Ilmaisuu	Määritelmä
Absoluuttinen barometrinen paine	<p>Absoluuttinen paine on mitattu ilmankehän paine ja eräs korkeuden toiminto ja vähemmässä määrin sääolosuhteiden muutoksissa.</p> <p>Absoluuttista painetta ei korjata merenpinnan tason olosuhteisiin sopivaksi. <i>Katso Suhteellinen barometrinen paine.</i></p>
Tarkkuus	Tarkkuus määritellään mittauksen kyvyllä täsmätä mitattavan määrän todelliseen arvoon.
Barometri	Barometri on työkalu, jota käytetään ilmankehän paineen mittaamiseen.
Kalibrointi	Kalibrointi on kahden mittauksen vertailua - toinen on yhden laitteen (standardi) tunnettu laajuus tai oikeanlaisuus ja toinen mittaus suoritetaan mahdollisimman samankaltaisesti toisella laitteella (väline).
Kastepiste	<p>Kastepiste on lämpötila, jossa tietty määrä kosteaa ilmaa tulee jäädyttää jatkuvassa barometrisessä paineessa, jotta vesihöyry tiivistyisi vedeksi. Tiivistynyttä vettä kutsutaan kasteeksi. Kastepiste on saturaatiolämpötila.</p> <p>Kastepiste yhdistetään suhteelliseen ilmankosteuteen. Korkea suhteellinen ilmankosteus merkitsee, että kastepiste on lähempänä nykyistä ilmanlämpötilaa. Suhteellinen ilmankosteus 100% viittaa siihen, että kastepiste on sama kuin nykyinen lämpötila ja ilma on maksimaalisesti veden saturoimaa. Kun kastepiste pysyy jatkuvasti tasaisena ja lämpötila nousee, suhteellinen ilmankosteus laskee.</p>

Ilmaisuu	Määritelmä																																																																																																																																																																																																																																																																																																																												
Lämpöindeksi	<p>Lämpöindeksi, jota toisinaan kutsutaan näennäiseksi lämpötilaksi, mittaa sitä, kuinka kuumalta todellisuudessa tuntuu kun suhteellinen ilmankosteus lasketaan mukaan todelliseen ilmanlämpötilaan.</p> <p>Katso allaolevaa Lämpöindeksikaaviota lämpöindeksilämpötilan löytämiseksi. Jos ilmanlämpötila on esimerkiksi 35°C ja suhteellinen ilmankosteus on 65%, lämpöindeksi (kuinka kuumalta tuntuu) on silloin 49°C.</p> <p>TÄRKEÄÄ: Koska lämpöindeksiarvot on suunniteltu varjosiin ja kevyesti tuulisiin sääolosuhteisiin, altistuminen suoralle auringonpaisteelle saattaa nostaa lämpöindeksiarvoja jopa -9°C. Lisäksi voimakkaat tuulet erityisesti yhdistettynä hyvin kuumaan ja kuivaan ilmaan saattaavat olla äärimmäisen vaarallisia.</p> <p>Lämpöindeksikaavion tummennettu alue 40°C:n yläpuolella näyttää tason, joka saattaa aiheuttaa enenevässä määrin vakavia lämpöhäiriöitä jatkuvan altistumisen tai fyysisen aktiivisuuden myötä.</p> <p>Lämpöindeksiä ei lasketa 26°C:n alapuolella.</p> <div data-bbox="459 1355 1396 1960" style="text-align: center;"> <p>Heat Index (Apparent Temperature)</p> <table border="1" style="margin: auto;"> <thead> <tr> <th colspan="2"></th> <th colspan="16">Relative Humidity (%)</th> </tr> <tr> <th colspan="2">°F</th> <th>40</th><th>45</th><th>50</th><th>55</th><th>60</th><th>65</th><th>70</th><th>75</th><th>80</th><th>85</th><th>90</th><th>95</th><th>100</th> <th colspan="2"></th> </tr> </thead> <tbody> <tr> <td rowspan="16" style="writing-mode: vertical-rl; transform: rotate(180deg);">Air Temperature</td> <td>110</td><td>136</td><td></td><td></td><td></td><td></td><td></td><td></td><td></td><td></td><td></td><td></td><td></td><td></td><td></td><td></td><td></td> </tr> <tr> <td>108</td><td>130</td><td>137</td><td></td><td></td><td></td><td></td><td></td><td></td><td></td><td></td><td></td><td></td><td></td><td></td><td></td><td></td> </tr> <tr> <td>106</td><td>124</td><td>130</td><td>137</td><td></td><td></td><td></td><td></td><td></td><td></td><td></td><td></td><td></td><td></td><td></td><td></td><td></td> </tr> <tr> <td>104</td><td>119</td><td>124</td><td>131</td><td>137</td><td></td><td></td><td></td><td></td><td></td><td></td><td></td><td></td><td></td><td></td><td></td><td></td> </tr> <tr> <td>102</td><td>114</td><td>119</td><td>124</td><td>130</td><td>137</td><td></td><td></td><td></td><td></td><td></td><td></td><td></td><td></td><td></td><td></td><td></td> </tr> <tr> <td>100</td><td>109</td><td>114</td><td>118</td><td>124</td><td>129</td><td>136</td><td></td><td></td><td></td><td></td><td></td><td></td><td></td><td></td><td></td><td></td> </tr> <tr> <td>98</td><td>105</td><td>109</td><td>113</td><td>117</td><td>123</td><td>128</td><td>134</td><td></td><td></td><td></td><td></td><td></td><td></td><td></td><td></td><td></td> </tr> <tr> <td>96</td><td>101</td><td>104</td><td>108</td><td>112</td><td>116</td><td>121</td><td>126</td><td>132</td><td></td><td></td><td></td><td></td><td></td><td></td><td></td><td></td> </tr> <tr> <td>94</td><td>97</td><td>100</td><td>103</td><td>106</td><td>110</td><td>114</td><td>119</td><td>124</td><td>129</td><td>135</td><td></td><td></td><td></td><td></td><td></td><td></td> </tr> <tr> <td>92</td><td>94</td><td>96</td><td>99</td><td>101</td><td>105</td><td>108</td><td>112</td><td>116</td><td>121</td><td>126</td><td>131</td><td></td><td></td><td></td><td></td><td></td> </tr> <tr> <td>90</td><td>91</td><td>93</td><td>95</td><td>97</td><td>100</td><td>103</td><td>106</td><td>109</td><td>113</td><td>117</td><td>122</td><td>127</td><td>132</td><td></td><td></td><td></td> </tr> <tr> <td>88</td><td>88</td><td>89</td><td>91</td><td>93</td><td>95</td><td>98</td><td>100</td><td>103</td><td>106</td><td>110</td><td>113</td><td>117</td><td>121</td><td></td><td></td><td></td> </tr> <tr> <td>86</td><td>85</td><td>87</td><td>88</td><td>89</td><td>91</td><td>93</td><td>95</td><td>97</td><td>100</td><td>102</td><td>105</td><td>108</td><td>112</td><td></td><td></td><td></td> </tr> <tr> <td>84</td><td>83</td><td>84</td><td>85</td><td>86</td><td>88</td><td>89</td><td>90</td><td>92</td><td>94</td><td>96</td><td>98</td><td>100</td><td>103</td><td></td><td></td><td></td> </tr> <tr> <td>82</td><td>81</td><td>82</td><td>83</td><td>84</td><td>84</td><td>85</td><td>86</td><td>88</td><td>89</td><td>90</td><td>91</td><td>93</td><td>95</td><td></td><td></td><td></td> </tr> <tr> <td>80</td><td>80</td><td>80</td><td>81</td><td>81</td><td>82</td><td>82</td><td>83</td><td>84</td><td>84</td><td>85</td><td>86</td><td>86</td><td>87</td><td></td><td></td><td></td> </tr> </tbody> </table> <div style="margin-top: 10px;"> <p>With Prolonged Exposure and/or Physical Activity</p> <table border="1" style="margin: auto;"> <tr> <td style="background-color: #800000; color: white; text-align: center;">Extreme Danger</td> </tr> <tr> <td style="text-align: center;">Heat stroke or sunstroke highly likely</td> </tr> <tr> <td style="background-color: #FF8C00; text-align: center;">Danger</td> </tr> <tr> <td style="text-align: center;">Sunstroke, muscle cramps, and/or heat exhaustion likely</td> </tr> <tr> <td style="background-color: #FFD700; text-align: center;">Extreme Caution</td> </tr> <tr> <td style="text-align: center;">Sunstroke, muscle cramps, and/or heat exhaustion possible</td> </tr> <tr> <td style="background-color: #FFFF00; text-align: center;">Caution</td> </tr> <tr> <td style="text-align: center;">Fatigue possible</td> </tr> </table> </div> </div>			Relative Humidity (%)																°F		40	45	50	55	60	65	70	75	80	85	90	95	100			Air Temperature	110	136																108	130	137															106	124	130	137														104	119	124	131	137													102	114	119	124	130	137												100	109	114	118	124	129	136											98	105	109	113	117	123	128	134										96	101	104	108	112	116	121	126	132									94	97	100	103	106	110	114	119	124	129	135							92	94	96	99	101	105	108	112	116	121	126	131						90	91	93	95	97	100	103	106	109	113	117	122	127	132				88	88	89	91	93	95	98	100	103	106	110	113	117	121				86	85	87	88	89	91	93	95	97	100	102	105	108	112				84	83	84	85	86	88	89	90	92	94	96	98	100	103				82	81	82	83	84	84	85	86	88	89	90	91	93	95				80	80	80	81	81	82	82	83	84	84	85	86	86	87				Extreme Danger	Heat stroke or sunstroke highly likely	Danger	Sunstroke, muscle cramps, and/or heat exhaustion likely	Extreme Caution	Sunstroke, muscle cramps, and/or heat exhaustion possible	Caution	Fatigue possible
		Relative Humidity (%)																																																																																																																																																																																																																																																																																																																											
°F		40	45	50	55	60	65	70	75	80	85	90	95	100																																																																																																																																																																																																																																																																																																															
Air Temperature	110	136																																																																																																																																																																																																																																																																																																																											
	108	130	137																																																																																																																																																																																																																																																																																																																										
	106	124	130	137																																																																																																																																																																																																																																																																																																																									
	104	119	124	131	137																																																																																																																																																																																																																																																																																																																								
	102	114	119	124	130	137																																																																																																																																																																																																																																																																																																																							
	100	109	114	118	124	129	136																																																																																																																																																																																																																																																																																																																						
	98	105	109	113	117	123	128	134																																																																																																																																																																																																																																																																																																																					
	96	101	104	108	112	116	121	126	132																																																																																																																																																																																																																																																																																																																				
	94	97	100	103	106	110	114	119	124	129	135																																																																																																																																																																																																																																																																																																																		
	92	94	96	99	101	105	108	112	116	121	126	131																																																																																																																																																																																																																																																																																																																	
	90	91	93	95	97	100	103	106	109	113	117	122	127	132																																																																																																																																																																																																																																																																																																															
	88	88	89	91	93	95	98	100	103	106	110	113	117	121																																																																																																																																																																																																																																																																																																															
	86	85	87	88	89	91	93	95	97	100	102	105	108	112																																																																																																																																																																																																																																																																																																															
	84	83	84	85	86	88	89	90	92	94	96	98	100	103																																																																																																																																																																																																																																																																																																															
	82	81	82	83	84	84	85	86	88	89	90	91	93	95																																																																																																																																																																																																																																																																																																															
	80	80	80	81	81	82	82	83	84	84	85	86	86	87																																																																																																																																																																																																																																																																																																															
Extreme Danger																																																																																																																																																																																																																																																																																																																													
Heat stroke or sunstroke highly likely																																																																																																																																																																																																																																																																																																																													
Danger																																																																																																																																																																																																																																																																																																																													
Sunstroke, muscle cramps, and/or heat exhaustion likely																																																																																																																																																																																																																																																																																																																													
Extreme Caution																																																																																																																																																																																																																																																																																																																													
Sunstroke, muscle cramps, and/or heat exhaustion possible																																																																																																																																																																																																																																																																																																																													
Caution																																																																																																																																																																																																																																																																																																																													
Fatigue possible																																																																																																																																																																																																																																																																																																																													

Ilmaisu	Määritelmä
HectoPascal (hPa)	Paineyksiköt SI-mittayksikkönä (kansainvälinen järjestelmä). Sama kuin millibaarit (1 hPa = 1 mbar)
Kosteusmittari	Kosteusmittari on väline, joka mittaa suhteellista ilmankosteutta. Suhteellinen ilmankosteus on termi, jota käytetään kuvailemaan ilmassa olevan vesihöyryn määrää tai prosenttilukemaa.
Inches of Mercury (inHg)	Paine imperiaalimittayksiköissä. 1 inHg = 33.86 millibaaria
Sademittari	Sademittari on väline, joka mittaa nestemäistä sademäärää (sadetta) kiinteän sademäärän (lumimittari) sijaan määrättyä ajanjaksona. Kaikki digitaaliset sademittarit ovat itsetyhjentyviä tai itsekaatavia (kutsutaan myös kaataviksi sademittareiksi). Sademittarin tarkkuus oerustuu sateen tilavuuteen kullakin tyhjennyskaudella.
Arvoalue	Arvoalue määritellään määräksi tai laajuudeksi, jolla arvo voidaan mitata.
Suhteellinen barometrinen paine	Mitattu barometrinen paine suhteessa sijaintiin tai vallitseviin olosuhteisiin.
Resoluutio	Resoluutio määritellään merkityksellisten lukujen määräksi (desimaalipaikat), joissa arvo voidaan luotettavasti mitata.
Aurinkosäteily	Aurinkosäteily sensori mittaa auringosta saatavaa aurinkoenergiaa. Aurinkosäteily on auringon ydinfuusioreaktiosta vapauttamaa säteilyenergiaa, joka luo elektromagneettista energiaa. Aurinkosäteilyn spektri on lähellä mustan kappaleen säteilyä noin 5800 K:n lämpötilallaan. Noin puolet säteilystä on näkyvässä lyhytaaltoisessa osassa elektromagneettista spektriä. Toinen puolisko on enimmäkseen lähes infrapunaosassa ja osa löytyy spektrin ultravioletiosasta.

Ilmaisu	Määritelmä
Lämpömittari	Lämpömittari on väline, joka mittaa lämpötilaa. Suurin osa digitaalisista lämpömittareista on resistiivisiä lämpömittareita (RTD). RTD:t ennustavat muutoksia lämpötilassa osana sähköresistanssin toimintaa.
Tuulisiiveke	Tuulisiiveke on väline, joka mittaa tuulensuuntaa. Tuulisiiveke on useimmiten tuulennopeuden mittarin yhteydessä. Tuulensuunta on suunta, josta tuuli puhaltaa.

9. Spesifikaatiot

Ulkodata

Lähetysetaisyys avoimessa tilassa: 100m (330 jalkaa)

Taajuus : 433/868/915 MHz

Lämpötila-ala : -25°C - +60°C (-14°F - +140°F)

Tarkkuus : +/- 1°C

Resoluutio : 0.1°C

Mittausala suht. ilmankost.: 10%~99%

Tarkkuus : +/- 5%

Sademäärän näyttö: : 0 – 6000mm (näkyv --- mikäli alan ulkopuolella)

Tarkkuus : +/- 10%

Resoluutio : 0.1in (jos sateen määrä < 1000mm)
1mm (jos sateen määrä > 1000mm)

Tuulennopeus : 0-50m/s (0~100mph) (näkyv --- mikäli alan ulkopuolella)

Tarkkuus : +/- 1m/s (tuulennopeus < 5m/s)
+/-10% (tuulennopeus > 5m/s)

Valo : 0-400k Lux

Tarkkuus : +/-15%

Ulkosensorin mittausintervalli: 16 sekuntia

Sisädata

Sisälämpötilan ala : -10°C - -60°C (14°F - +140°F) (näkyv --- mikäli alan ulkopuolella)

Resoluutio : 0.1°C

Mittausala suht. ilmankost. : 10%~99%

Resoluutio : 1%

Mittausala ilmanpaine : 300-1100hPa (8.85-32.5inHg)

Tarkkuus : +/-3hpa 700-1100hPa:n alapuolella

Resoluutio : 0.1hPa (0.01inHg)

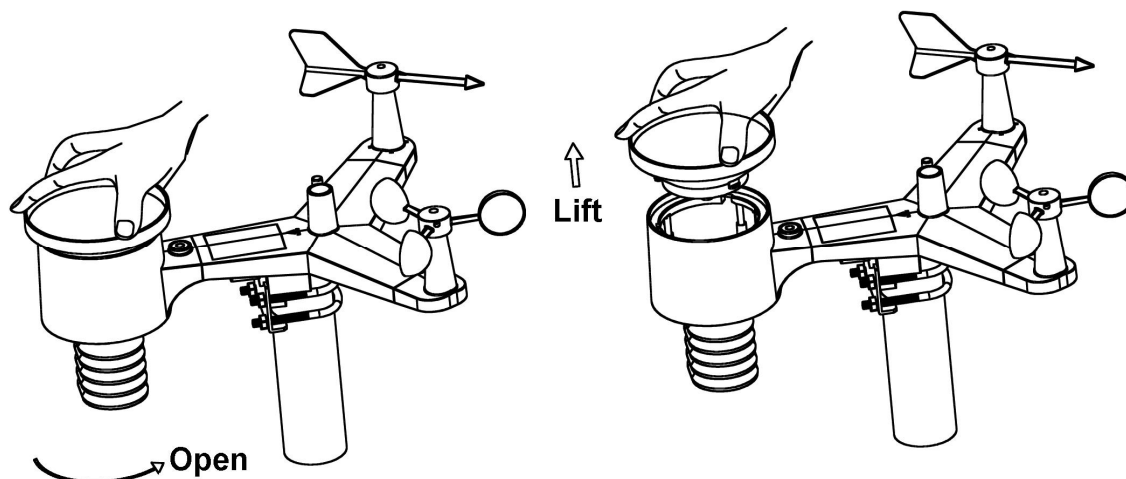
Hälytyksen kesto : 120 sekuntia

10. Virrankulutus

- Tukiasema : 5V DC-adaptori (sisältyy), Virrankulutus 0.5 wattia (1.25 wattia Wi-Fi-konfiguraatiossa)
- Ulkosensoritaulu: 3 x AA-paristot (eivät sisälly)

11. Huolto

1. Puhdista sademittari kerran kolmessa kuukaudessa. Pyöritä suppiloa vastapäivään ja nosta ylös sademittarimekanismin esiin saamiseksi. Puhdista kostealla liinalla. Poista lika, jätteet ja hyönteiset. Mikäli hyönteisistä muodostuu ongelma, suihkutataulua




kevyesti hyönteismyrkyllä.

2. Puhdista aurinkosäteily sensori ja aurinkopaneeli kolmen kuukauden välein kostealla liinalla.
3. Korvaa paristot 1-2 vuoden välein. Mikäli niitä käytetään liian pitkään, ne saattavat alkaa uotaa ympäristön aiheuttamana.
4. Lumisessa ympäristössä suihkuta sääaseman päällystä jäätymisen estävällä silikonisuihkeella lumen kertymisen ehkäisemiseksi.

12. Ongelmanratkaisupuos

Ongelma	Ratkaisu
Ulkosensoritaulu ei kommunikoi näyttökonsolin kanssa.	<p>Sensoritaulu on saattanut käynnistyä oikein ja konsoli rekisteröi datan epäkelvoksi, jolloin konsoli täytyy nollata. Paina nollauspainiketta Kuvion 1 osoittamalla tavalla.</p> <p>Avoimella paperiliittimellä paina nollauspainiketta kolmen sekunnin ajan, jotta jännite purkautuu kokonaan.</p> <p>Poista paristot ja odota minuutin ajan samalla kun peität aurinkopaneelia jännitteen purkamiseksi.</p> <p>Aseta paristot takaisin ja synkronisoi konsoli uudelleen (Osio 6.12) sensoritaulun ollessa noin kolmen metrin etäisyydellä.</p> <p>Paristokotelon vieressä oleva LED-valo vilkkuu joka 16. sekunti. Mikäli LED ei vilku 16 sekunnin välein...</p> <p>Vaihda paristot ulkosensoritaulussa.</p>

Ongelma	Ratkaisu
	<p>Mikäli paristot on hiljattain vaihdettu, tarkista polariteetti. Mikäli sensorit vilkkuvat 16 sekunnin välein, siirry seuraavaan vaiheeseen.</p> <p>Interferenssistä tai muista sijaintiin liittyvistä tekijöistä johtuvasta yhteydenmenetyksestä johtuen saattaa esiintyä väliaikaisia viestintäkatkoksia,</p> <p>tai paristot on saatettu vaihtaa sensoritaulussa ja konsolia ei ole nollattu. Ratkaisu saattaa olla niinkin yksinkertainen kuin konsolin sammuttaminen ja uudelleenkäynnistäminen (poista AC-virta ja paristot, odota 10 sekuntia ja syötä uudelleen AC-virta ja paristot).</p>
<p>Lämpötilasensori näyttää liian korkeita lukemia päiväsaikaan.</p>	<p>Huolehdi siitä, ettei sensoritaulu ole liian lähellä lämpöä tuottavia lähteitä tai -rakenteita kuten rakennuksia, asfalttia, seiniä tai ilmastointiyksiköitä.</p> <p>Käytä kalibrointiominaisuutta lämpösäteilylähteisiin liittyvien asennusongelmien eliminoimiseksi. Katso Osio 6.10.</p>
<p>Suhteellinen paine ei vastaa virallista tiedotusasemaa</p>	<p>Saatat tarkastella absoluuttista painetta suhteellisen paineen sijaan.</p> <p>Valitse suhteellinen paine. Pidä huoli siitä, että kalibroitu kunnolla sensorin viralliseen paikalliseen sääasemaan. Katso yksityiskohdat Osiosta 6.4.</p>
<p>Sademittari raportoi sateesta, vaikkei</p>	<p>Epävakaat asennusratkaisu (huojuminen asennusvarressa) saattaa johtaa kaatoämpärin virheelliseen sademäärän kasvuun. Pidä huolta</p>

Ongelma	Ratkaisu
sada	siitä, että asennus suoritetaan oikein ja tukevasti.
Data ei välity Wunderground.comiin	<ol style="list-style-type: none"> 1. Vahvista salasanasasi tai avaimesi oikeus. Kyseessä on salasana, jolla rekisteröidyit Wunderground.comiin. Wunderground.com -salasanasasi ei voi alkaa erikoismerkillä (Wunderground.comin asettama rajoitus, ei aseman). Esimerkiksi \$oewkrf ei kelpaa sanasanaksi, mutta oewkrf\$ kelpaa. 2. Vahvista, että aseman ID on oikein. Aseman ID:ssä kaikki kirjaimet ovat isoja ja yleisin ongelma on O:n korvaaminen 0:lla (tai toisinpäin). Esimerkiksi KAZPHOEN11, ei KAZPH0EN11 3. Pidä huoli siitä, että päivämäärä ja aika ovat oikein konsolissa. Mikäli ne ovat väärin, saatat raportoida vanhaa dataa reaaliaikaisen datan sijasta. 4. Pidä huoli siitä, että aikavyöhykkeesi on asetettu oikein. Mikäli se on väärin, saatat raportoida vanhaa dataa reaaliaikaisen datan sijasta. 5. Tarkista reitittimesi palomuuriasetukset. Konsoli lähettää dataa Port 80:n välityksellä.
Ei WiFi-yhteyttä	<ol style="list-style-type: none"> 1. Tarkista näytön WiFi-symboli. Mikäli langaton yhteys on olemassa, näkyy aikakentässä silloin WiFi-ikoni . 2. Huolehdi siitä, että modeemisi WiFi-asetukset ovat oikein (verkon nimi ja salasana).

Ventus väderstation W830W

Manual

Innehållsförteckning

1. Introduktion	120
2. Varningar.....	120
3. Snabbstartguide.....	120
4. Kontroll innan slutlig installation samt placeringskoll	121
4.1 Innan slutlig installation	121
4.2 Placeringskoll	121
5. Montering av väderstation	122
5.1 Innehåll	122
5.2 Montering av utomhussensor.....	122
5.2.1 Montering av vindpil (riktning).....	123
5.2.2 Montering av vindkoppar (hastighet)	123
5.2.3 Sätta i batterier.....	124
5.2.4 Montering av komplett utomhussensor.....	124
5.2.5 Återställning och LED-indikator.....	125
5.3 Hur uppnår jag den bästa trådlösa transmissionen?	125
5.4 Display	126
6. Displayfunktioner	127
6.1 Innehåll på displayskärm.....	127
6.2 Display-uppstart.....	128
6.3 Knappfunktioner	128
6.4 Inställningsläge.....	129
6.4.1 BEEP	129
6.4.2 MAX/MIN daglig	129
6.4.3 DST (Daylight saving time, sommartid)	130
6.4.4 Time zone (tidszon).....	130
6.4.5 Time / Date (tid och datum).....	130
6.4.6 Pressure (lufttryck)	131
6.4.7 Light (ljus).....	131
6.4.8 Temperature (temperatur)	131
6.4.9 Wind speed (vindhastighet)	131
6.4.10 Rain (regn)	132
6.4.11 Moon phase (månfas)	132

6.5 Larmavsnitt	132
6.5.1 Avläsning av larmvärden på temperatur, regn och vind	132
6.5.2 Larminställning	133
6.5.3 Ordning för inställning av larm	133
6.6 Max/min-läge	134
6.6.1 Avläsning av MAX-data	134
6.6.2 Avläsning av MIN-data	134
6.7 Kalibreringsläge.....	135
6.7.1 Kalibreringsordning	135
6.8 Andra inställningsmöjligheter	135
6.8.1 Nollställa minnet.....	135
6.8.2 Bakgrundsljus.....	136
6.8.3 Trendindikatorer	136
6.8.4 Trådlös signalstyrkeindikator.....	136
6.8.5 Väderprognossymboler	136
6.8.6 Snooze	137
7. WiFi-anslutning av väderstation via din mobil	137
7.1 Väder online (server).....	137
7.2 Anslutning av väderstationen till WiFi.....	138
7.3 Registrering hos WeatherUnderground.com, WeatherBug.com och WeatherCloud.net	140
7.3.1 WeatherUnderground.com.....	141
7.3.2 WeatherBug.com	Fejl! Bogmærke er ikke defineret.
7.3.3 WeatherCloud	142
8. Ordlista.....	143
9. Specifikationer	144
10. Strömförbruk/-användning.....	144
11. Underhåll/rengöring	145
12. Felsökningsguide.....	145

1. Introduktion

Tack för ert köp av Ventus W830W trådlös Wi-Fi väderstation. Denna manual gör det möjligt för dig att steg för steg installera och använda denna avancerade väderstation.

2. Varningar



Varning: Om man monterar sensorn på en metallstång finns det fara för blixtnedslag.



Varning: Var försiktig när du ska installera utomhussensorn högt upp. Utför så många tester som möjligt inomhus, så att väderstationen fungerar 100 % innan installation. Slutlig montering ska utföras på en dag med torrt och klart väder.

3. Snabbstartguide

Även om manualen är omfattande, är en del av informationen saker som kommer av sig självt. Ordningen i manualen är inte alltid logisk, vilket beror på att sektionerna är organiserade efter produktens delar och man bör därför läsa igenom hela manualen noggrant.

Följande snabbstartguide förklarar endast de nödvändiga stegen för installation, användning och anslutning till Internet med angivning av de avsnitt där de olika stegen förklaras.

Krävs		
Steg	Beskrivning	Avsnitt
1	Montering och start av utomhussensor	5.2
2	Start av display och synkronisering med utomhussensor	5.3 – 5.4
3	Inställning av tid och datum på displayen	6.4.5
4	Kalibrering av relativt lufttryck vid havsytan på displayen	6.7
5	Återställning av regninformation på displayen	6.4.10
Valfritt		
6	Konfigurering av Wi-Fi	7
7	Registrera och ladda upp till väderserver	7

4. Kontroll innan slutlig installation samt placeringskoll

4.1 Innan slutlig installation

Det rekommenderas innan slutlig installation av väderstationen på dess permanenta placering, att väderstationen placeras på en lättillgänglig plats. Därmed får du möjlighet att få alla funktioner att fungera, samt bekanta dig med väderstationens funktioner, användning och kalibreringsprocedurer. Detta ger även möjlighet att testa placering och längd på den trådlösa transmissionen.

4.2 Placeringskoll

Gör en placeringskoll innan slutlig installation av utomhussensordelen av väderstationen.

Följande bör övervägas:

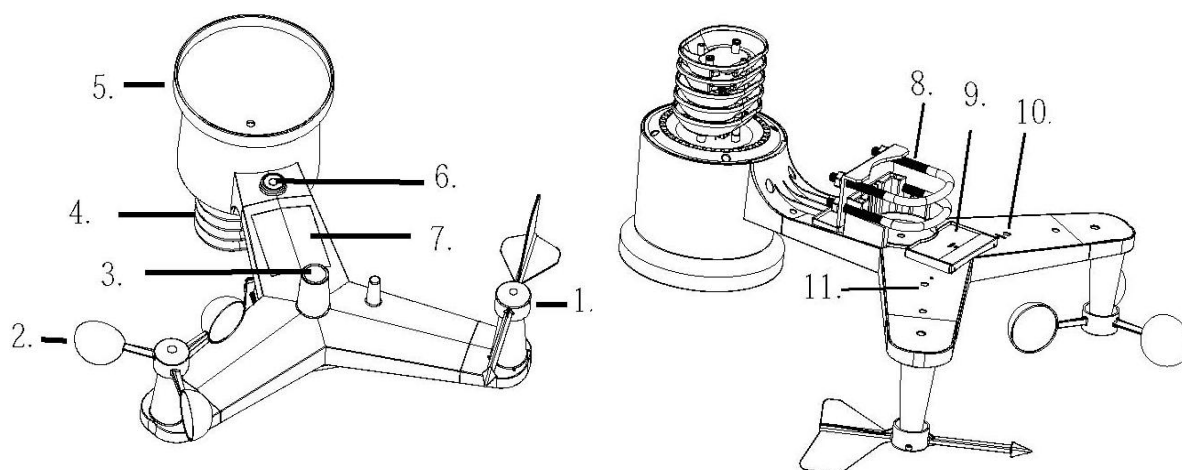
11. Regnmätaren ska rengöras med jämna mellanrum, samt batterier ska bytas ut. Se därför till att utomhussensorn är lättillgänglig.
12. Undvik strålvärme från byggnader m.m. Generellt bör utomhussensorn placeras på bra avstånd (1,5 meter) från byggnader, hustak eller andra källor som avger värme.
13. Undvik föremål som skärmar av för vind och regn. Vind och regn ska kunna komma fritt och obehindrat till utomhussensorn, så att mätningarna blir korrekta.
14. Räckvidden på den trådlösa transmissionen mellan displayen och utomhussensorn är max 100 meter i öppen terräng. Detta förutsätter att det inte finns några hinder som kan orsaka störningar, såsom träd, byggnader, sladdar m.m. Under normala omständigheter är max-räckvidden ca. 30 meter.
15. Radiostörning från datorer, radio, TV eller andra trådlösa produkter kan i värsta fall hindra den trådlösa transmissionen mellan utomhussensorn och din display. När du placerar displayen och utomhussensorn, ta vänligen hänsyn till ovanstående hinder för bra transmission.

5. Montering av väderstation

5.1 Innehåll

Antal	Produkt
1	Display
1	Komplett utomhussensor till vind, regn, temperatur och luftfuktighet
1	Beslag för montering på stolpe med 2 st. U-bultar och 4 muttrar (hopsatt)
1	Vindpil
1	Vindkoppar
1	Regnskål
1	5 V DC-adapter
1	Manual

5.2 Montering av utomhussensor



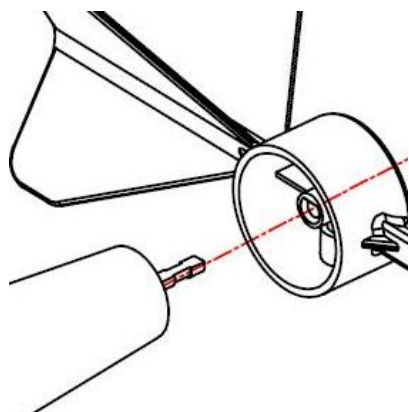
1. Vindpil (riktning)
2. Vindkoppar (hastighet)
3. UV-sensor/ljussensor
4. Temperatur- och luftfuktighetssensor
5. Regnsamlare
6. Vattenpass
7. Solcellspanel
8. U-bult
9. Batterikammare
10. Reset-hål
11. LED-indikator: lyser i fyra sekunder när sensorn laddar.

LED-indikatorn blinkar var 16:e sekund, vilket motsvarar intervallet mellan transmission från sensor till display.

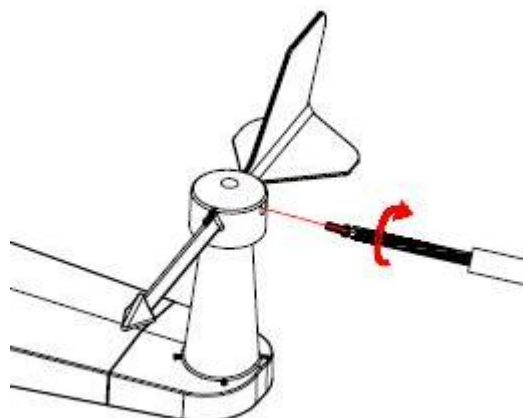
5.2.1 Montering av vindpil (riktning)

Tryck ner pilen över axeln som visat på figur 1.

Dra åt skruven som visat på figur 2. Kontrollera om vindpilen kan röra sig obehindrat.



Figur 1



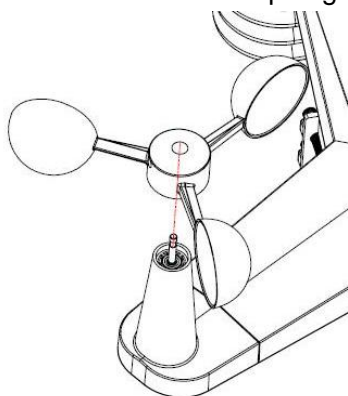
Figur 2

Det finns fyra bokstäver tryckt på basen av sensorn; N-S-W-E. Dessa representerar vindriktningarna; N=Nord, S=Syd, W=Väst och E=Öst. Vindsensorn ska monteras korrekt, vilket betyder att vindpilen ska peka mot norr när den monteras. Använd en kompass eller smartphone för att säkerställa detta. Om vindpilen inte pekar mot norr när den monteras, kommer vindriktningsinformationen som visas på displayen inte vara korrekt.

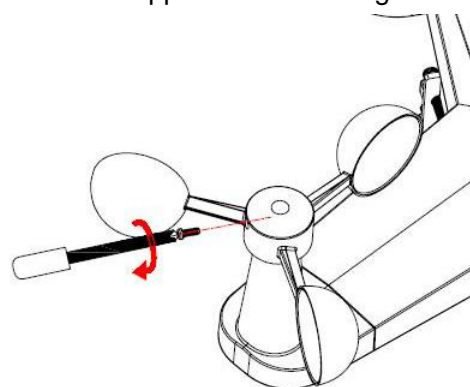
5.2.2 Montering av vindkoppar (hastighet)

Tryck ner vindkopparna över axeln som visat på figur 4.

Dra åt skruven som visat på figur 5. Kontrollera att vindkopparna kan röra sig obehindrat



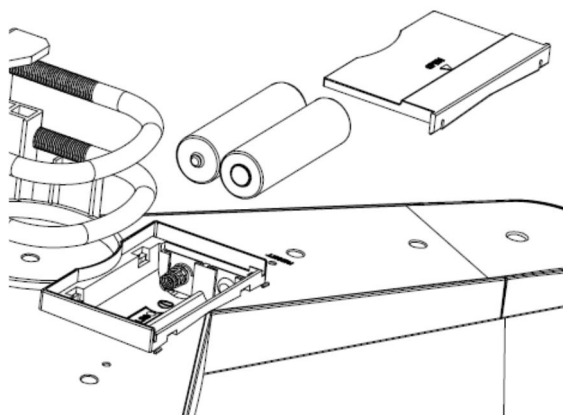
Figur 4



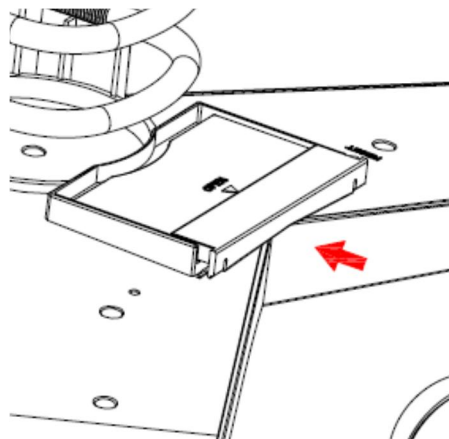
Figur 5

5.2.3 Sätta i batterier

Sätt i 3 x AA-batterier i batterikammaren. LED-indikatorn på undersidan av sensorn kommer att lysa i fyra sekunder, och därefter blinka var 16:e sekund, vilket motsvarar intervallet mellan transmission från sensor till display.



Figur 6

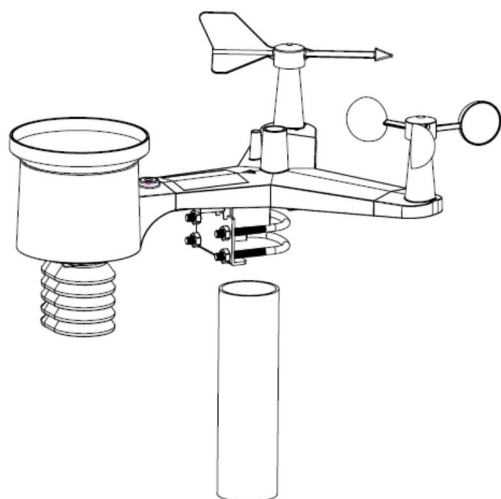


Figur 7

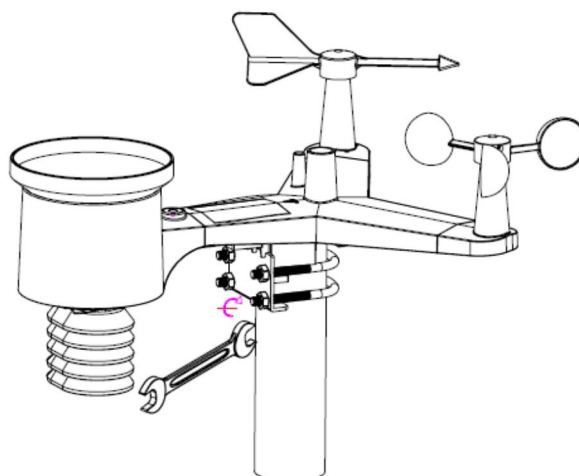
Observera: Om LED-indikatorn inte lyser eller om den lyser konstant, kontrollera om batterierna är placerade korrekt eller att återställningen (reset) är utförd korrekt. Batterierna ska sättas i korrekt, + till + och – till –, om inte detta görs korrekt kan sensorn skadas.

5.2.4 Montering av komplett utomhussensor

Montera den kompletta utomhussensorn på en rund stolpe (medföljer ej) med U-bultarna, som visat på figur 8 och 9.



Figur 8



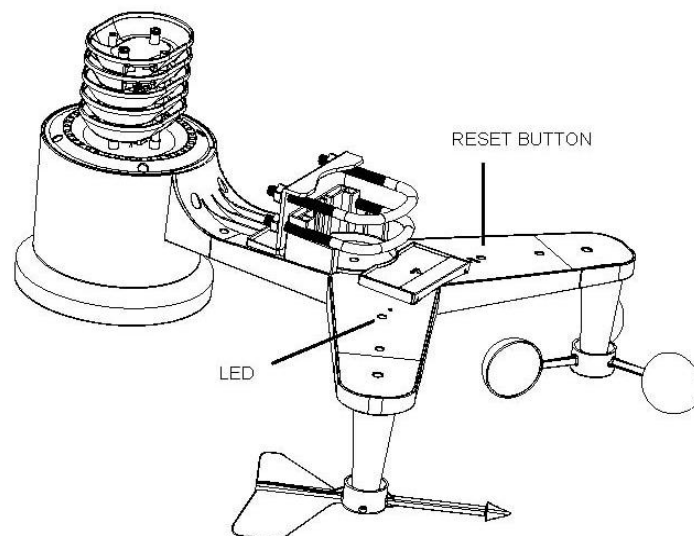
Figur 9

Använd vattenpasset, placerad vid regnmätaren, för att säkerställa att den kompletta sensorn är plan.

5.2.5 Återställning och LED-indikator

Om den trådlösa transmissionen mellan sensorn och displayen inte fungerar ska sensorn återställas med reset-knappen.

Använd exempelvis ett öppet gem för att återställa sensorn. Sätt i gemet i hålet (sitter på undersidan av sensorn på hastighetsarmen) i tre sekunder för en komplett återställning av sensorn. Om transmissionen fortfarande inte fungerar, kan det vara nödvändigt att ta ut batterierna, täcka över solcellerna och vänta ett par minuter innan batterierna sätts i igen. Därefter synkronisera med displayen igen genom att stänga av, vänta och sätta på displayen.



5.3 Hur uppnår jag den bästa trådlösa transmissionen?

Observera: för att säkerställa en optimal transmission ska utomhussensorn placeras fritt och plant.

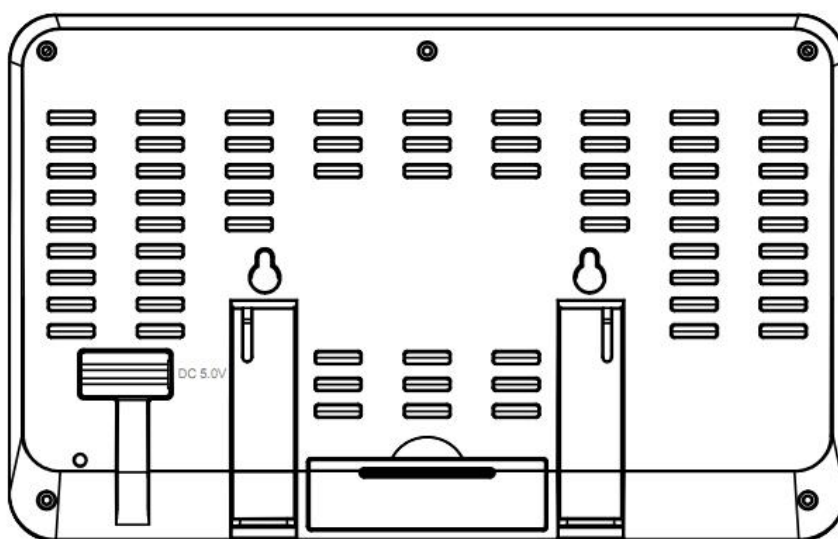
Trådlös transmission kan "störas". Avstånd, väggar och metallhinder kan orsaka dålig transmission. Följande rekommenderas för att uppnå bästa möjliga transmission.

9. **Elektromagnetisk interferens (EMI).** Placera displayen en bra bit från datorskärmar och TV-apparater.
10. **Radiofrekvensinterferens (RFI).** Har du andra trådlösa produkter i ditt hem kan dessa störa din väderstation. Dock använder de flesta trådlösa produkter 433 MHz, medan denna väderstation använder 868 MHz. Detta reducerar kraftigt risken för störningar. Om det ändå uppstår störningar kan man stänga av andra trådlösa produkter och på så vis lokalisera källan till störningen.
11. **Transmissionräckvidd.** Produkten har en transmissionräckvidd på 100 meter i öppen terräng. Detta är dock sällan möjligt, eftersom det ofta finns hinder såsom väggar, fönster m.m. Typiskt är den maximala räckvidden 30 meter under normala förhållanden.
12. **Metallhinder.** Undvik metallhinder mellan displayen och utomhussensorn, eftersom det kan förhindra bra och stabil trådlös transmission.

Följande översikt ger en bild av vad eventuella hinder kan betyda för den trådlösa transmissionen.

Hinder	Reduktion av signalstyrka
Glas	5-15 %
Plast	10-15 %
Trä	10-40 %
Mursten	10-40 %
Betong	40-80 %
Metall	90-100 %

5.4 Display



11. Sätt i adapterkontakten på baksidan av displayen.

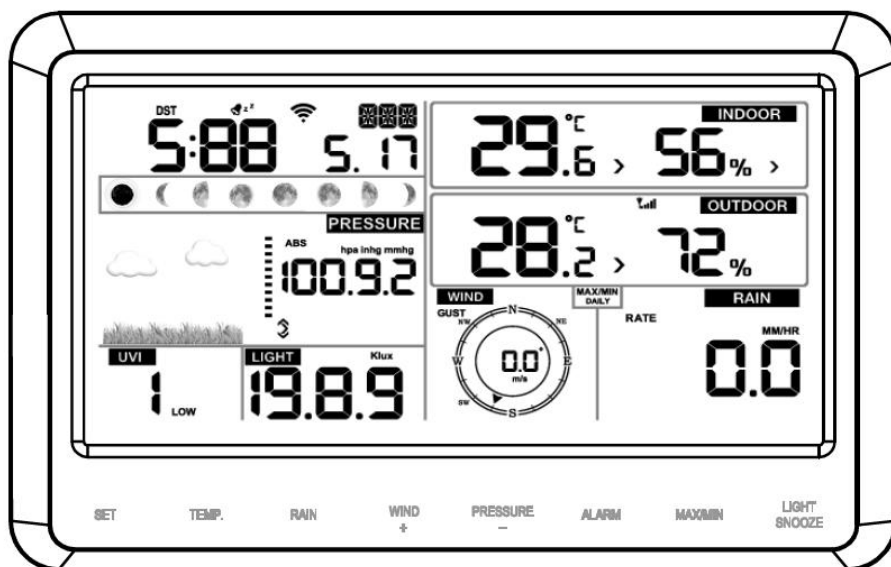
Observera: Placera utomhussensorn i samma rum 1,5-3 meter från displayen och vänta 5-10 minuter tills de två enheterna har synkroniserats.

12. Sätt i tre AAA-batterier i displayen (Valfritt, endast som back-up).

13. Låt displayen och sensorn stå i 15 minuter, tills den trådlösa signalen är låst.

14. Valfritt: Vrid runt kopparna (blås) för att simulera vind. Droppa försiktigt vatten i regnmätaren för att simulera nederbörd. Var uppmärksam på att vattnet kommer rinna igenom regnmätaren, eftersom den är självtömmande.

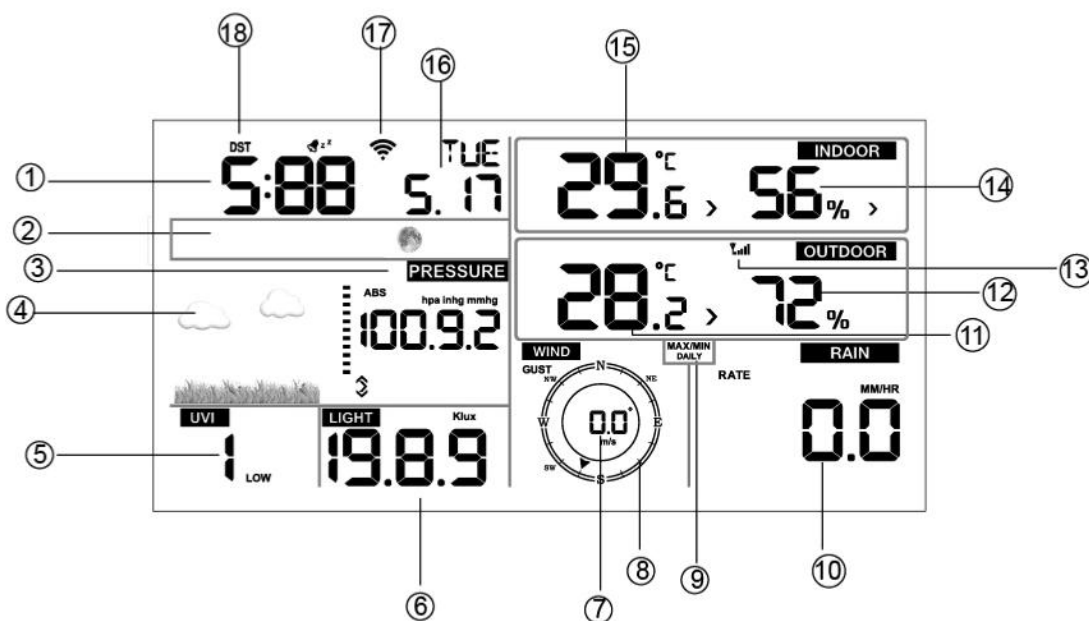
15. Efter 15 minuter och **all** information har kommit fram på displayen, kan utomhussensorn placeras på dess korrekta plats. Se avsnitt 5.2.4 om montering av utomhussensorn.



Observera: Om du endast använder batterier, och inte 230 volt, ska du trycka på **LIGHT/SNOOZE**-knappen innan displayen lyser och andra knappar kan användas.

6. Displayfunktioner

6.1 Innehåll på displayskärm



1. Klocka/tid	10. Regnmängd
2. Månfas	11. Temperatur utomhus
3. Lufttryck	12. Luftfuktighet utomhus
4. Väderprognos	13. RF-ikon (trådlös signal)
5. UV-index	14. Luftfuktighet inomhus
6. Ljus (Lux)	15. Temperatur inomhus

7. Vindhastighet	16. Datum
8. Vindriktning	17. WiFi-ikon
9. MAX/MIN daglig	18. DST (daylight saving time, sommartid)

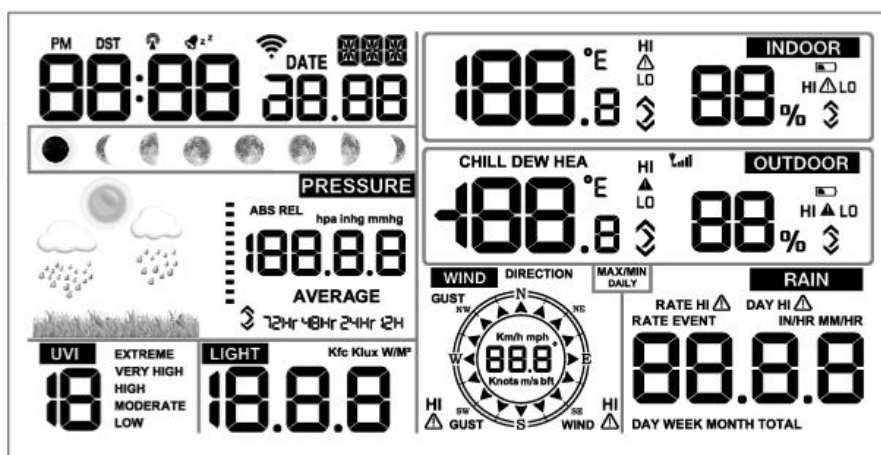
6.2 Display-uppstart

Sätt i adapterkontakten i displayen och därefter till 230 volt.

Displayen visar software-versionnummer ca. 2 sekunder efter den har kopplats till 230 volt.

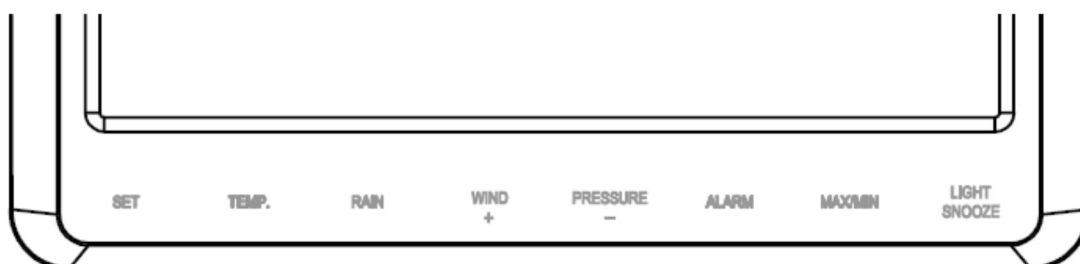


Displayen visar alla segment på skärmen i 3 sekunder efter strömmen har kopplats till. I följande 3 minuter hämtar displayen information från utomhusenheten.



6.3 Knappfunktioner

Displayen har 8 (soft touch) knappar.



Knapp	Funktion
SET	Håll inne knappen för att komma till inställningar.
TEMP.	Tryck på denna knapp för att se: Wind Chill, Heat Index (värmeindex), Dew Point (daggpunkt) och temperatur. Håll inne TEMP-knappen i 5 sekunder för att söka efter sensor.
RAIN	Tryck på denna knapp för att se regnmängd per timme, här & nu, dag, vecka, månad och totalt.

	Håll inne knappen i 2 sekunder för att nollställa regninfo.
WIND +	Tryck på denna knapp för att se vind, vindbyar och vindriktning.
PRESSURE	Tryck på denna knapp för att se lufttrycket, samt det genomsnittliga lufttrycket för de senaste 12, 24, 48 och 72 timmar. Håll inne knappen i 2 sekunder för att se absolut och relativt lufttryck.
ALARM	Tryck på denna knapp för att se larm-värden på temperatur, luftfuktighet, regn diverse, vind, UV, ljus och absolut lufttryck.
MAX/MIN	Tryck på denna knapp för att se MAX-/MIN-värden på temperatur, luftfuktighet, regn diverse, vind, UV, ljus och absolut lufttryck.
LIGHT/SNOOZE	Tryck på denna knapp för att justera bakgrundsljuset på displayen: HI/MID/OFF

Observera:

- 7) För att återställa väderstationen till fabriksinställning, tryck på **RAIN-** och **ALARM-**knappen samtidigt, detta nollställer minnet. Observera att det ska vara ström kopplat till displayen.
- 8) Om du vill stoppa inställningsläget och gå tillbaka till den normala displayen, görs detta genom att antingen vänta i 30 sekunder eller trycka på **LIGHT/SNOOZE-**knappen.

6.4 Inställningsläge

Tryck på **SET-**knappen i 2 sekunder för att komma till basinställningar. Du blir nu automatiskt förd genom inställningarna i nedanstående ordning. När du har valt en inställning, tryck igen på SET för att bekräfta inställningen och gå vidare till nästa inställning.

6.4.1 BEEP



Tryck på **SET-**knappen i 2 sekunder för att välja till/från pip ljud. ON/OFF kommer blinka. Tryck på **WIND/+** eller **PRESSURE/-** knappen för att välja ON eller OFF.

“BEEP ON” betyder att varje gång du trycker på knapp kommer du höra ett pip (beep). Om du inte vill detta, välj ”BEEP OFF”

6.4.2 MAX/MIN daglig



Tryck på **SET**-knappen två gånger för att välja **MAX/MIN**-sektionen. ON/OFF kommer blinka. Tryck på **WIND/+** eller **PRESSURE/-** knappen för att välja ON eller OFF. När ON är påslagen, nollställs det varje dag klockan 0:00.

6.4.3 DST (Daylight saving time, sommartid)



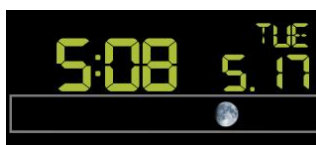
Tryck på **SET**-knappen tre gånger för att välja **Daylight saving time**-sektionen. ON/OFF kommer blinka. Tryck på **WIND/+** eller **PRESSURE/-** knappen för att välja ON eller OFF. ON fungerar bara i perioden med sommartid.

6.4.4 Time zone (tidszon)



Tryck på **SET**-knappen fyra gånger för att välja **Time zone**-sektionen. Tidszontalet kommer blinka och du kan nu välja tidszon genom att trycka på **WIND/+** eller **PRESSURE/-** knappen för att välja korrekt siffra (från -12 till +12).

6.4.5 Time / Date (tid och datum)



Tryck på **SET**-knappen fem gånger för att välja 12/24-timmarsformat. Standard är 24 timmar.

Tryck på **SET**-knappen sex gånger för att välja timsektionen.

Tryck på **SET**-knappen sju gånger för att välja minutsektionen.

Tryck på **SET**-knappen åtta gånger för att välja ordning på dag och månad. DD-MM eller MM-DD. Standard är DD-MM.

Tryck på **SET**-knappen nio gånger för att välja år.

Tryck på **SET**-knappen 10 gånger för att välja månad.

Tryck på **SET**-knappen 11 gånger för att välja dag.

Observera: Tryck på **WIND/+** eller **PRESSURE/-** knappen när du ställer in det korrekta värdet.

Observera: Om minutvärdet ändras, kommer sekunder automatiskt nollställas.

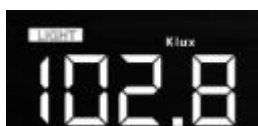
6.4.6 Pressure (lufttryck)



Tryck på **SET**-knappen 12 gånger för att välja måttenhet i Pressure-sektionen (hpa, mmhg eller inhg). Standard är hpa.

Tryck på **SET**-knappen 13 gånger för att välja relativt lufttryck. Ställs in med +/- knappen. Observera: I normal-läge, tryck på **PRESSURE/-** knappen för att se genomsnittligt lufttryck de senaste 12, 24, 48 eller 72 timmar. Tryck 3 sekunder på **PRESSURE/-** knappen för att se antingen absolut eller relativt lufttryck.

6.4.7 Light (ljus)



Tryck på **SET**-knappen 14 gånger för att välja sektionen för ljusstyrka (lux, fc, w/m²). Standard är w/m².

6.4.8 Temperature (temperatur)



Tryck på **SET**-knappen 15 gånger för att välja inom-/utomhustemperatursektionen. Celsius eller Fahrenheit (C eller F). Standard är Celsius.

I normal-läge, tryck på **TEMP**-knappen för att se Wind Chill, Heat Index (värmeindex), Dew Point (daggpunkt) eller temperatur.

Observera: Var 60:e sekund mäter displayen inomhustemperaturen, -luftfuktigheten och - lufttrycket. Om temperaturen är lägre än minsta måttområdet kommer displayen visa --. -, om den är högre än största måttområdet kommer displayen visa --.-.

6.4.9 Wind speed (vindhastighet)



Tryck på **SET**-knappen 16 gånger för att välja hastighetsektionen (km/h, mph, knop, m/s, bft). Standard är km/h.

I normal-läge tryck på **WIND/+** knappen för att se vindhastighet, vindbyar och vindriktning.

6.4.10 Rain (regn)



Tryck på **SET**-knappen 17 gånger för att välja regnsektionen (in eller mm). Standard är mm.

I normal-läge tryck på **RAIN**-knappen för att se regnmängden per timme, här & nu, dag, vecka, månad och totalt.

Tryck på **RAIN**-knappen i 2 sekunder för att nollställa regnmängden i just den bild du står på.

Observera:

- Om veckoregnmängden (week) nollställs, nollställs dagregnmängden (day) automatiskt.
- Om månadsregnmängden (month) nollställs, nollställs vecko- och dagregnmängden automatiskt.
- Om den totala regnmängden nollställs, nollställs månads-, vecko- och dagregnmängden automatiskt.

Observera:

- Regn RATE: De senaste 10 minuters regn gångrat med 6.
- Regn EVENT: När regnet börjar startar Regn EVENT. Om det på dagen (00:00-24:00) inte regnar eller det faller mindre än 10 mm, är regn EVENT slut.
- Day: Definieras som kalenderdagen från kl. 0:00-24:00.
- Week: Definieras som kalenderveckan från söndag till lördag.
- Month: Definieras som kalendermånad. T.ex. 1 till 31 januari.
- Total: Definieras från då väderstationen sattes igång.

Observera: Utomhussensorn kommer var 16:e sekund skicka information om vindhastighet, vindriktning och regn.

6.4.11 Moon phase (månfas)



Tryck på **SET**-knappen 18 gånger för att välja den nordliga eller sydliga jordhalvan.

6.5 Larmavsnitt

6.5.1 Avläsning av larmvärden på temperatur, regn och vind

5) Tryck på **ALARM**-knappen för att se de höga temperaturlarmvärdena.



6) Tryck en gång till på **ALARM**-knappen för att se de låga temperaturlarmvärdena.



Observera:

Tryck på **RAIN**-knappen efter du har tryckt på **ALARM** för att se **RATE**- eller **DAY**-larmen.

Tryck på **WIND/+** knappen efter du har tryckt på **ALARM** för att se vind-larmet (Wind). Tryck en gång till för att se vindbylarmet (Gust).

Tryck på **ALARM**-knappen en tredje gång eller på **LIGHT/SNOOZE**-knappen för att gå tillbaka till normal-läge.

6.5.2 Larminställning


9) Tryck och håll inne **ALARM**-knappen i 2 sekunder för att ställa in de olika larmen.

10) Tryck på **WIND/+** eller **PRESSURE/-** knappen för att lägga till/ta bort eller justera larmvärden.

11) Tryck på **SET**-knappen för att bekräfta inställningen/ändringen och gå till nästa inställning.

12) Tryck på **ALARM**-knappen för att lägga till/ta bort larmet.

Observera: När ett larm aktiveras, kommer gällande alarmkällas  ikon för tid,  ikon för

högt värde och  ikon för lågt värde att blinka.

Observera: Tryck på **ALARM**-knappen en tredje gång eller tryck på **LIGHT/SNOOZE**-knappen för att gå tillbaka till normal-läge.

6.5.3 Ordning för inställning av larm

27) Tidsinställning

28) Inställning för inomhustemperatur HÖG

29) Inställning för inomhustemperatur LÅG

30) Inställning för inomhusluftfuktighet HÖG

31) Inställning för inomhusluftfuktighet LÅG

32) Inställning för utomhustemperatur HÖG

33) Inställning för utomhustemperatur LÅG

- 34) Inställning för utomhusluftfuktighet HÖG
- 35) Inställning för utomhusluftfuktighet LÅG
- 36) Kraftig vind-inställning
- 37) Kraftig vindby-inställning
- 38) Kraftig regn-inställning RATE
- 39) Kraftig regn-inställning DAY

6.6 Max/min-läge

6.6.1 Avläsning av MAX-data



Om du vill se nedanstående information, tryck på **MAX/MIN**-knappen och därefter på nämnda knappar. Om du exempelvis vill se Wind Chill, tryck på MAX/MIN och därefter på TEMP. Om du därefter vill se Heat Index, tryck på TEMP igen o.s.v.

Tryck på **TEMP**-knappen för att se Wind Chill, Heat Index (värmeindex) och Dew Point (daggpunkt) MAX.

Tryck på **RAIN**-knappen för att se regn-RATE, -DAY, -WEEK och -MONTH MAX.

Tryck på **WIND/+** knappen för att se WIND och GUST (vindby) MAX.

Tryck på **PRESSURE/-** knappen i 2 sekunder för att se absolut lufttryck MAX. Tryck igen för att se relativt lufttryck MAX.

6.6.2 Avläsning av MIN-data



Om du vill se nedanstående information, tryck på **MAX/MIN**-knappen två gånger, och därefter på nämnda knappar. Om du exempelvis vill se Wind Chill, tryck på MAX/MIN två gånger och därefter på TEMP. Om du därefter vill se Dew Point, tryck på TEMP igen o.s.v.

Tryck på **TEMP**-knappen för att se Wind Chill och Dew Point (daggpunkt) MIN.

Tryck på **PRESSURE/-** knappen i 2 sekunder för att se absolut lufttryck MIN. Tryck igen för att se relativt lufttryck MIN.

Observera: Tryck på **MAX/MIN**-knappen i 2 sekunder för att nollställa all MAX/MIN-data.

Tryck på **LIGHT/SNOOZE**-knappen för att gå tillbaka till normal-läge.

6.7 Kalibreringsläge

Håll inne både **TEMP-** och **MAX/MIN**-knappen samtidigt i 5 sekunder för att komma till kalibreringsläget. Därefter kan man kalibrera m.m. Följ nedanstående instruktioner.



Tryck på **WIND/+** och **PRESSURE/-** knappen för att justera värdena.

Tryck på **SET**-knappen för att bekräfta och gå vidare till nästa värde.

Tryck på **ALARM**-knappen för att nollställa alla ändrade kalibreringar.

Tryck på **LIGHT/SNOOZE**-knappen för att lämna kalibreringsläget.

6.7.1 Kalibreringsordning

- 17) Offsetkalibrering av inomhustemperatur (intervall +/- 9 F, standard: 0 grader)
- 18) Offsetkalibrering av inomhusluftfuktighet (intervall +/- 9 %)
- 19) Offsetkalibrering av utomhustemperatur (intervall +/- 9 F, standard: 0 grader)
- 20) Offsetkalibrering av utomhusluftfuktighet (intervall +/- 9 %)
- 21) Offsetkalibrering av absolut lufttryck (intervall +/- 10 hpa)
- 22) Offsetkalibrering av vindriktning (justeras per grader)
- 23) Faktorjustering av vindhastighet, standard 100 % (intervall 50 % till 150 %)
- 24) Faktorjustering av regn, standard 100 % (intervall 50 % till 150 %)

6.8 Andra inställningsmöjligheter

6.8.1 Nollställa minnet

Tryck på knapparna **WIND/+** och **PRESSURE/-** samtidigt. Koppla till strömmen samtidigt som du fortfarande håller inne knapparna, och väderstationen nollställer dina användarinställningar.




6.8.2 Bakgrundsljus (konstant bakgrundsljus kräver adapter)

- 6) Med tillkopplad adapter.
Tryck på **LIGHT/SNOOZE**-knappen för att ändra bakgrundsljuset: högt/lågt/släckt.
- 7) Utan adapter (endast batterier).
Efter 15 sekunder utan att använda diverse knappar, kommer bakgrundsljuset släckas. Knapparna kan inte användas innan antingen **LIGHT/SNOOZE**-knappen hålls inne eller adaptern kopplas till.

6.8.3 Trendindikatorer

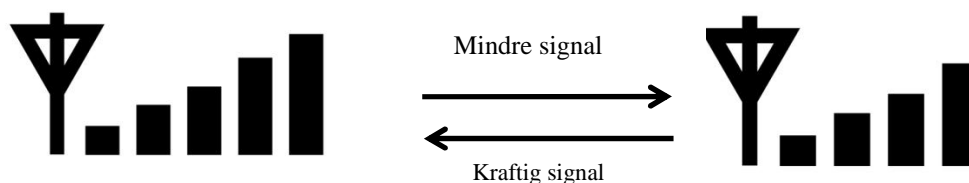
3 timmars jämförelse som ändras varje halvtimme.

T.ex. kl. 3:00 jämförs med kl. 12:00 data. Kl. 3:30 jämförs med kl. 12:30 data.

Trend-indikatorer		Luftfuktighet	Temperatur	Lufttryck
	stigande	stigande > 3%	stigande $\geq 1\text{C}/2\text{F}$	stigande > 1hpa
	stabil	förändring $\leq 3\%$	förändring < 1C/2F	förändring $\leq 1\text{hpa}$
	fallande	fallande < 3%	fallande $\leq 1\text{C}/2\text{F}$	fallande < 1hpa

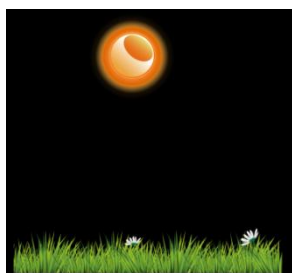
6.8.4 Trådlös signalstyrkeindikator

Vid transmission/synkronisering mellan utomhusenheten och displayen, kan man avläsa den trådlösa signalstyrkan genom att titta på signalstyrkeindikatorn. Ju fler streck, desto bättre signal. Indikatorn är placerad i fältet med utomhustemperaturen.

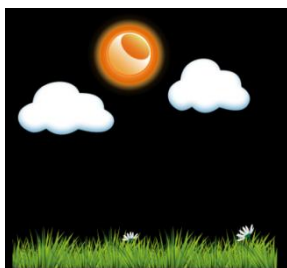


6.8.5 Väderprognossymboler

Om utomhustemperaturen är under 0 grader Celsius (32 F) och väderprognosen förutspår regn eller storm, kommer snösymbolen att visas på displayen.



Sol



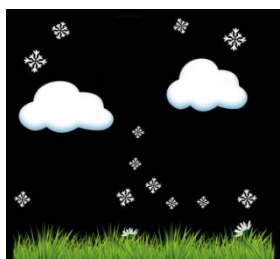
Delvis molnigt



Molnigt



Regn



Snö

6.8.6 Snooze

Vid ett tidslarm, tryck på **LIGHT/SNOOZE**-knappen för att sätta displayen i Snooze-läge. Efter 10 minuter startar larmet igen. För att lämna larmläget, tryck på alarmknappen.

7. WiFi-anslutning av väderstation via din mobil

7.1 Väder online (server)

Väderstationen kan skicka data till två olika, mer eller mindre gratis, Hosting-tjänster.

Hosting-tjänster	Hemsida	Beskrivning
Weather Underground	www.wunderground.com	Weather Underground är en gratis väderhosting-tjänst som tillåter dig att skicka och se din väderinformation real-time, grafer och mätningar. Importera data för mer detaljerade analyser och använd iPhone-, iPad- och Androidapplikationer som är tillgängliga på Wunderground.com. Weather Underground är ett dotterbolag till The Weather Channel och IBM.

Weather Cloud	www.weatherCloud.net	Weathercloud är ett real-time socialt nätverk för väderentusiaster skapat av observatörer från hela världen.
---------------	----------------------	--

7.2 Anslutning av väderstationen till WiFi

WiFi-möjligheterna fungerar bara tillsammans med väderstationen om adaptern används till väderstationen. Detta beror på ett högre energiförbruk vid WiFi.

För att använda WiFi tillsammans med väderstationen ska du först ladda ner applikationen från en av följande:

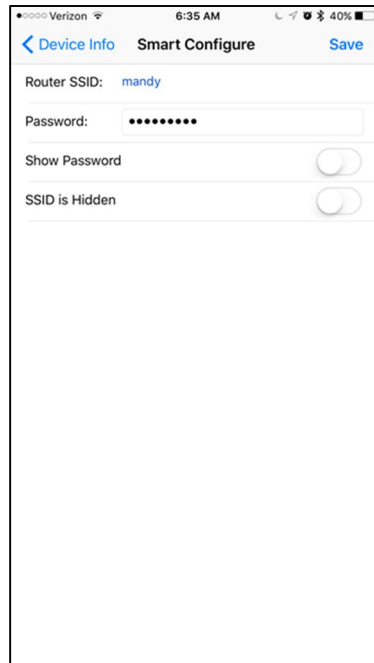
- Apple App Store
- Google Play Store

13. Gå in på Apple App Store eller Google Play Store via din smartphone och sök efter "**WS Tool**"-applikationen. Ladda ner applikationen till din smartphone.

14. Kör väderstationapplikationen och välj **Add Device**.



15. Kontrollera att din smartphone är ansluten till ditt WiFi-nätverk. Skriv in lösenordet till din router, och välj **Save**.



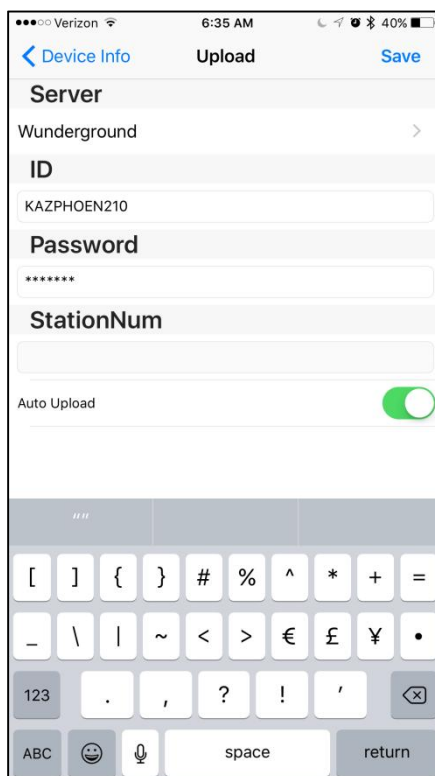
16. Om WiFi-ikonen inte blinkar snabbt (1), tryck och håll inne **RAIN-** och **ALARM-**knapparna samtidigt i fyra sekunder. (2) WiFi-ikonen börjar blinka snabbt, vilket indikerar att displayen söker efter ditt WiFi-nätverk.



17. När displayen har anslutits till ditt WiFi-nätverk, kommer Mac-adressen och IP-adressen att visas på din smartphone.



18. Skriv in ditt Wunderground.com eller WeatherCloud.net Station ID, lösenord och StationNum (se sektion 0).



7.3 Registrering hos WeatherUnderground.com, och WeatherCloud.net

7.3.1 WeatherUnderground.com

Gå till Wunderground.com hemsida och välj **Join**-länken längst upp på sidan. Välj **Free sign up**-alternativet.

WEATHER UNDERGROUND | Maps & Radar | Severe Weather | News & Blogs | Photos & Video | Activities | More | Search Locations | Log in | Join

Phoenix, AZ 85°F Scattered Clouds | Sedona, AZ 68.5°F Light Rain

Create an Account

Email:

Username (numbers and letters only):

Password (5-30 characters): Show

I agree to the Terms of Service
 I would like to receive WU updates via email

Basic - Free | **Premium - \$10/yr**

- Upload Photos
- Post Blogs
- Post Comments
- AD FREE Websites
- AD FREE Mobile Apps
- AD FREE Emails
- Longer Radar Loops

Member Sign In

Email:

Password:

Forgot your password?

Sign In | Looking for Facebook?

9. Välj **More | Register Your PWS**.

10. Klicka på **Send Validation Email**. Svara på validationsmailet från Wunderground (det kan ta ett par minuter).

WEATHER UNDERGROUND | Maps & Radar | Severe Weather | News & Blogs | Photos & Video | Activities | More | Search Locations | Log in | Join

Phoenix, AZ 85°F Scattered Clouds | Sedona, AZ 70°F Light Thunderstorms and Rain

Personal Weather Station Network

Overview | Buying Guide | **Register with WU**

Step 1: Register Your Station

You haven't validated your account. Follow the link in the email you should have received when you registered.

Send Validation Email

- Historical Weather
- Personal Weather Station Network
- Register Your PWS**
- WU Store
- Mobile Apps
- Daily Forecast Flyer
- Weather API for Developers

11. Välj **More | Register Your PWS** igen och skriv in all nödvändig information.

WEATHER UNDERGROUND | Maps & Radar | Severe Weather | News & Blogs | Photos & Video | Activities | More | Search Locations | Log in | Join

Phoenix, AZ 88°F Scattered Clouds | Sedona, AZ 72.5°F Rain

Personal Weather Station Network

Overview | Buying Guide | **Register with WU**

Step 1: Register Your Station

Type in the address where the weather station will be located. Drag the marker to your location.

2541 E Camelback Rd, Phoenix,...

- Historical Weather
- Personal Weather Station Network
- Register Your PWS**
- WU Store
- Mobile Apps
- Daily Forecast Flyer
- Weather API for Developers
- Site Map

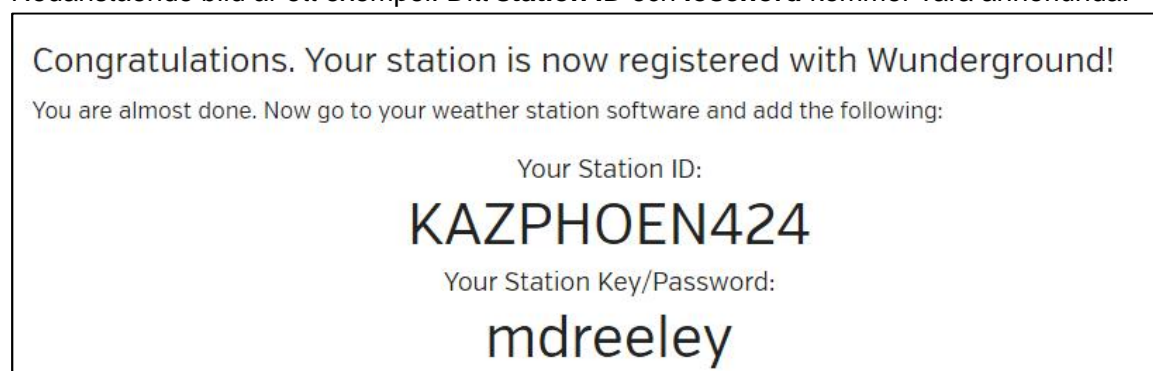
12. När du har registrerat din väderstation, notera följande:

- Station ID
- Station Key / lösenord

Fyll i Station ID (ID) och Station Key (Lösenord), och lämna Station Nummer-fältet (StationNum)

blankt.

Nedanstående bild är ett exempel. Ditt **station ID** och **lösenord** kommer vara annorlunda.



Observera: Ditt station ID kommer ha följande form: KSSCCCC###, där K står för USA-station (I för international), SS stat, CCCC din stad och ### är din stations nummer i din stad.

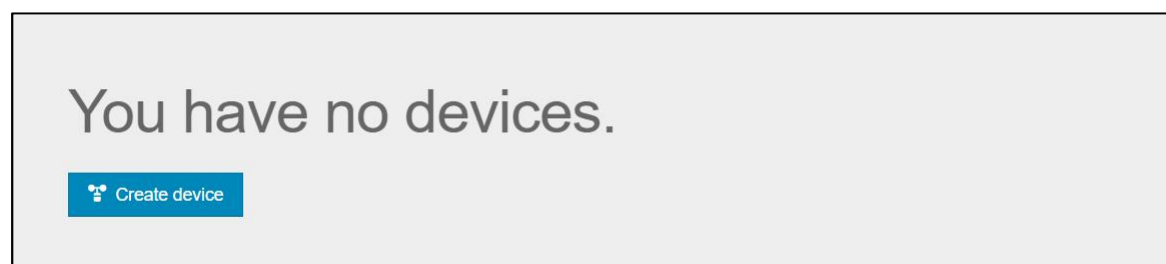
I ovanstående exempel är: KAZPHOEN424 i USA (K), Staten Arizona (AZ), staden Phoenix (PHOEN) och #424 = nummer 424 väderstation i denna stad.

7.3.3 WeatherCloud

7. Besök WeatherCloud.net och fyll i användarnamn (Username), email och lösenord (Password). Tryck sedan på SIGN UP.



8. Svara på validationsmailet från WeatherCloud (det kan ta ett par minuter).



9. Välj **Create Device** och fyll i din väderstations information. Efter registrering av din väderstation, notera följande:

- Weathercloud ID
- Key

Fyll i Weathercloud ID (ID), Key (lösenord) i appen. Lämna Station Number-fältet (StationNum) blankt.

8. Ordlista

Ordlista	Definition
Absolut barometriskt lufttryck	Absolut tryck är det uppmätta atmosfäriska trycket och är en funktion av höjd, och i mindre grad ändringar i väderförhållandena. Absolut tryck är inte korrigerat till havsnivå (sea level). Se Relativt barometertryck.
Noggrannhet	Noggrannhet definieras som förmågan av en uppmätning att matcha det faktiska värdet av den mängd som mäts.
Barometer	En barometer är ett instrument som mäter atmosfäriskt tryck.
Kalibrering	Fastställande av ett mätinstruments visningsfel. Utförs vid jämförelse av ett mer noggrant instrument, om visningsfelet är känt. Med kalibrering kan ett mätinstruments noggrannhet korrigeras till korrekt mätning.
Daggpunkt	Daggpunkt är den temperatur där en given luftmassas innehåll av vattenånga, under nedkylning vid konstant tryck, övergår till flytande vatten. Alltså en kombination av luftfuktighet och temperatur.
Heat Index / Värmeindex	Värmeindexet är ett uttryck för hur temperaturen känns beroende på luftfuktigheten, och gäller bara vid svag vind. För att uttrycka det på ett annat sätt: hur värmen egentligen känns med tanke på luftfuktigheten, jämfört med den aktuella temperaturen. Värmeindex beräknas inte för temperaturer under 26°C.
HectoPascals (hPa)	Internationell lufttrycksmåttenhet (hPa). 1 hPa = 1 mbar.
Hygrometer	Ett mätinstrument som mäter luftfuktighet.
Regnmätare	Alla digitala regnmätare är självtömmande. De flesta fungerar med hjälp av en vippanordning inne i själva mätaren.
Relativt barometriskt lufttryck	Atmosfäriskt lufttryck korrigerat till havsytans tryck (sea level)
Vindkoppar	Typiskt ett set med tre stycken som sitter ihop. Vindkoppar hjälper till att mäta vindhastigheten, kombinerat med en anemometer.
Vindflöjel	Mäter typiskt vindriktningen, kombinerat med en anemometer. Vindriktningen är där vinden blåser ifrån.

9. Specifikationer

Utomhusdata:

Transmissionsdistans i öppen terräng:	100 m (330 fot)
Frekvens:	868 MHz
Temperaturområde:	-25°C till +60°C (-14°F till +140°F)
Noggrannhet:	+ / - 1°C
Decimaler:	0.1°C
Luffuktighetsområde:	10 %~99 %
Noggrannhet:	+/- 5 %
Regnmätområde:	0 – 6000 mm
Noggrannhet:	+ / - 10 %
Decimaler:	0,1 (vid regnmängd < 1000 mm) 1 mm (vid regnmängd > 1000 mm)
Vindhastighet:	0-50 m/s (0~100 mph)
Noggrannhet:	+/- 1 m/s (vindhastighet < 5 m/s) +/- 10 % (vindhastighet > 5 m/s)
Ljus:	0-400 k Lux
Noggrannhet:	+/- 15 %
Transmissionsintervall för utomhussensor:	16 sekunder

Inomhusdata:

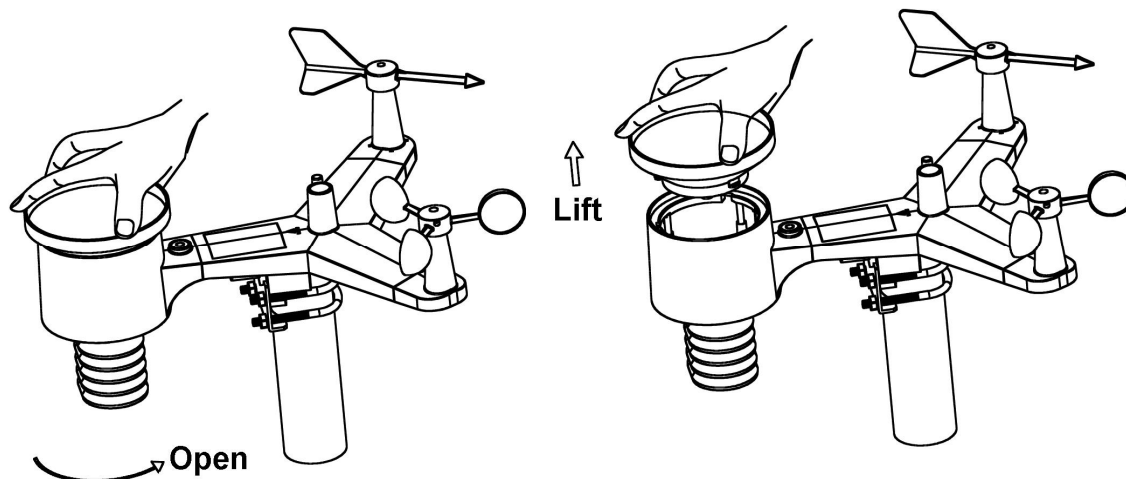
Inomhustemperaturområde:	+10°C till + 60°C (+14°F till + 140°F)
Decimaler:	0,1°C
Luffuktighetsområde:	10 %~99 %
Tolerans:	1 %
Mätområde för lufttryck:	300-1100 hPa (8,85-32,5 inHg)
Noggrannhet:	+/- 3 hpa under 700-1100 hPa
Decimaler:	0,1 hPa (0,01 inHg)
Larmperiod:	120 sekunder

10. Strömförbruk/-användning

- Display: 5 V DC-adapter (inkluderat), strömförbruk: 0,5 Watt (1,25 Watt i WiFi-konfigurationsläge)
- Utomhussensor: 3 x AA-batterier (ej inkluderade)

11. Underhåll/rengöring

5. Rengör regnmätaren en gång var tredje månad. Vrid tratten moturs och ta av toppen för att få tillgång till regnmätaren. Rengörs med en fuktig trasa. Ta bort smuts, damm och insekter.




6. Rengör solsensor och solpaneler var tredje månad med en fuktig trasa.
7. Byt ut batterierna när låg batterinivå indikeras på displayen. Vänta inte för länge, eftersom detta kan skada batterikammaren.

12. Felsökningsguide

Problem	Lösning
Utomhussensorn kommunicerar inte med inomhusdisplayen	<p>Utomhussensorn har inte installerats korrekt och informationen från utomhussensorn registreras inte i displayen. Återställ (reset) utomhussensorn som tidigare beskrivet.</p> <p>Använd ett öppet gem och tryck på RESET-knappen (hållet) i 3 sekunder för att helt nollställa sensorn.</p> <p>Ta ut batterierna, täck över solpanelerna och vänta en minut tills sensorn är helt "tömd" på ström.</p> <p>Sätt i batterierna i sensorn igen och synkronisera med displayen. Sensorn hålls på ett avstånd på ca. 3 meter från displayen under denna process. Sensorn placeras först på sin korrekta plats när förbindelse/väderinformationen registreras korrekt.</p> <p>LED-lampan som är placerad bredvid batterikammaren kommer blinka var 16:e sekund. Detta motsvarar det intervall som skickas från sensorn till displayen.</p> <p>Om det fortfarande inte är någon förbindelse, kontrollera polariteten</p>

Problem	Lösning
	<p>på batterierna. Alltså + till + och – till – .</p> <p>Om LED-lampan på sensorn blinkar och det fortfarande inte är kommunikation mellan de två enheterna, kan detta bero på ett tillfälligt bortfall av förbindelse på grund av interferens på denna position. Felet kan också bero på att man har bytt batterier och displayen inte har nollställts. Den enkla lösningen kan vara att ta bort strömmen från displayen, både 230 volt och batterierna, och vänta 20 sekunder, och därefter koppla till ström och eventuellt sätta i batterierna igen.</p>
<p>Temperaturen visar för höga temperaturer</p>	<p>Kontrollera att sensorn inte är placerad för nära värmegenererande objekt såsom väggar, byggnader m.m.</p> <p>Om sensorn inte kan placeras andra ställen än där det förekommer värmegenererande objekt, kan detta justeras via kalibrering. Se avsnitt om kalibrering.</p>
<p>Relativt lufttryck passar inte med de officiellt angivna storlekarna</p>	<p>Du tittar kanske av misstag på det absoluta lufttrycket, och inte på det relativa lufttrycket.</p> <p>Välj det relativa lufttrycket. Kalibrera eventuellt lufttrycket till de officiellt angivna storlekarna. Se avsnitt om kalibrering.</p>
<p>Regnmätaren anger nederbörd, även om det inte regnar</p>	<p>Om utomhussensorn inte har monterats korrekt och stabilt kan detta medföra att vippanordningen i regnmätaren vippar/räknar t.ex. vindbyar.</p>
<p>Data registreras inte till Wunderground.com</p>	<p>11. Kontrollera att ditt lösenord och användarnamn är korrekt. Det ska vara ett lösenord som du registrerade på Wunderground.com. Ditt lösenord till Wunderground.com ska börja med en bokstav (en begränsning från Wunderground.com). Exempel: \$oewkrf är inte ett giltigt lösenord, men oewkrf\$ är giltigt.</p> <p>12. Kontrollera att din väderstations ID är korrekt. Väderstationens ID ska vara stora bokstäver. Det vanligaste felet är att man skriver 0 istället för O (eller vise versa). Exempel: KAZPHOEN11, inte KAZPH0EN11</p> <p>13. Kontrollera att datum och tid är korrekt på displayen. Om tid och datum inte är korrekt får du gamla/fel data och inte real-time-data.</p> <p>14. Kontrollera att din tidszon är korrekt. Om tidszonen är fel får du fel data och inte real-time-data.</p> <p>15. Kontrollera din routers brandväggar. Displayen skickar data via port 80.</p>
<p>Ingen WiFi-förbindelse</p>	<p>5. Kontrollera WiFi-symbolen på displayen. Om det är trådlös</p>

Problem	Lösning
	<p>förbindelse kommer WiFi-ikonen  visas på displayen i tidfältet.</p> <p>6. Kontrollera att du har skrivit korrekt namn och lösenord i ditt WiFi-modem.</p>

PROFESSIONELLE WETTERSTATION

Bedienungsanleitung

Inhaltsverzeichnis

1. Einleitung.....	150
2. Warnungen und Vorsichtsmaßnahmen.....	150
3. Schnellstartanleitung.....	150
4. Vorinstallation Überprüfung und Website-Umfrage.....	151
4.1 Vorinstallation Überprüfung.....	151
4.2 Standort Untersuchung.....	151
5. Einstellung Gestartet.....	152
5.1 Inhalte.....	152


5.2	Sensor Einstellung	153
5.2.1	Windfahne installieren.....	153
5.2.2	Windgeschwindigkeit installieren	154
5.2.3	Batterien installieren.....	154
5.2.4	Außensensor montieren.....	155
5.2.5	Reset Knopf und Transmitter LED	155
5.3	Beste Methoden für die drahtlose Kommunikation	156
5.4	Display Konsole.....	157
6.	Display Konsolenbetrieb.....	158
6.1	Bildschirmanzeige	158
6.2	Ersteinrichtung der Display Konsole	159
6.3	Tastenfunktion	159
6.4	Einstellungsmodus	160
6.4.1	BEEP	161
6.4.2	MAX/MIN Täglich.....	161
6.4.3	DST(Sommerzeit).....	161
6.4.4	Zeitzone.....	161
6.4.5	Zeit / Datum	161
6.4.6	Druck.....	162
6.4.7	Licht	162
6.4.8	Temperatur.....	162
6.4.9	Windgeschwindigkeit.....	163
6.4.10	Regen	163
6.4.11	Mondphase.....	164
6.5	Alarm Modus.....	164
6.5.1	Anzeige von Alarmwert	164
6.5.2	Einstellung des Alarmmodus	164
6.5.3	Alarめinstellung Reihenfolge.....	165
6.6	Max/min Modus.....	165
6.7	Kalibriermodus.....	166
6.7.1	Kalibrier-Reihenfolge.....	166
6.8	Weitere Funktionen.....	167
6.8.1	Werkseinstellung/Speicher löschen.....	167
6.8.2	Hintergrundbeleuchtung.....	167
6.8.3	Tendenzindikatoren	167
6.8.4	Drahtlose Signalstärke Indikator	168
6.8.5	Wettervorhersage	168
6.8.6	Snooze.....	168
7.	WIFI-Verbindungseinstellung auf Mobilgerät.....	169
7.1	Wetterserver	169
7.2	Verbinden der Wetterstation Konsole mit dem WiFi	170
7.3	Registrieren mit WeatherUnderground.com, WeatherBug.com und WeatherCloud.net	174
8.	Glossar der Begriffe.....	176


9. Spezifikation.....	179
10. Energieverbrauch	180
11. Wartung.....	180
12. Anleitung zur Fehlerbehebung.....	181

1. Einleitung

Danke für Ihren Kauf der solarbetriebenen Wireless WiFi Wetterstation. Die folgende Bedienungsanleitung enthält schrittweise Anleitungen für die Installation, den Betrieb und die Fehlersuche.

2. Warnungen und Vorsichtsmaßnahmen

 **Warnung:** Jedes Metallobjekt kann einen Blitzschlag anziehen, einschließlich der Befestigungsstange Ihrer Wetterstation. Installieren Sie die Wetterstation nie während einem Sturm.

 **Warnung:** Die Installation der Wetterstation an einem hohen Ort kann zu Verletzungen oder zum Tod führen. Führen Sie den Großteil des ersten Tests und Betriebs auf dem Boden und innerhalb eines Gebäudes oder zu Hause aus. Installieren Sie die Wetterstation nur an einem klaren und trockenen Tag.

3. Schnellstartanleitung

Obwohl das Handbuch umfangreich ist, kann ein Großteil der enthaltenen Informationen intuitiv

sein. Darüber hinaus hat das Handbuch keinen richtigen Fluss, da die Abschnitte nach Komponenten aufgebaut sind.

Die folgende Schnellstartanleitung bietet nur die nötigsten Schritte für die Installation, den Betrieb der Wetterstation und den Upload ins Internet, zusammen mit Verweisen auf die entsprechenden Abschnitte.

Benötigt		
Schritt	Beschreibung	Abschnitt
1	Montieren Sie den Y-förmigen Sensor und schalten Sie ihn an	5.2
2	Fahren Sie die Display-Konsole hoch und synchronisieren Sie diese mit dem Y-förmigen Sensor	5.3-5.4
3	Stellen Sie Datum und Zeit auf der Konsole ein	6.4.5 Fejl! Henvisnin gskilde ikke fundet.
4	Kalibrieren Sie den relativen Druck auf Meeresspiegel-Niveau (örtlicher Flughafen) auf der Konsole	6.7 Fejl! Henvisnin gskilde ikke fundet.
5	Setzen Sie Regen auf der Konsole auf Null	6.4.10
Optional		
6	Konfigurieren Sie das WiFi	7
7	Registrieren Sie sich beim und laden Sie auf den Wetterserver hoch	7

4. Vorinstallation Überprüfung und Website-Umfrage

4.1 Vorinstallation Überprüfung

Vor der Installation Ihrer Wetterstation am festen Standort raten wir, die Wetterstation für eine Woche an einem vorübergehenden Ort mit leichtem Zugriff auszuprobieren. Dies wird es Ihnen erlauben, alle Funktionen zu überprüfen, den ordnungsgemäßen Betrieb zu gewährleisten und Sie mit der Wetterstation und den Kalibrierverfahren vertraut zu machen. Auf diese Weise können Sie auch die Funkreichweite der Wetterstation testen.

4.2 Standort Untersuchung

Führen Sie eine Untersuchung des Standortes durch, bevor Sie die Wetterstation installieren. Beachten Sie folgendes:

1. Sie müssen den Regenschirm alle paar Monate reinigen und die wiederaufladbaren

Batterien alle 2-3 Jahre austauschen. Stellen Sie sicher, dass die Wetterstation einfach zugänglich ist.

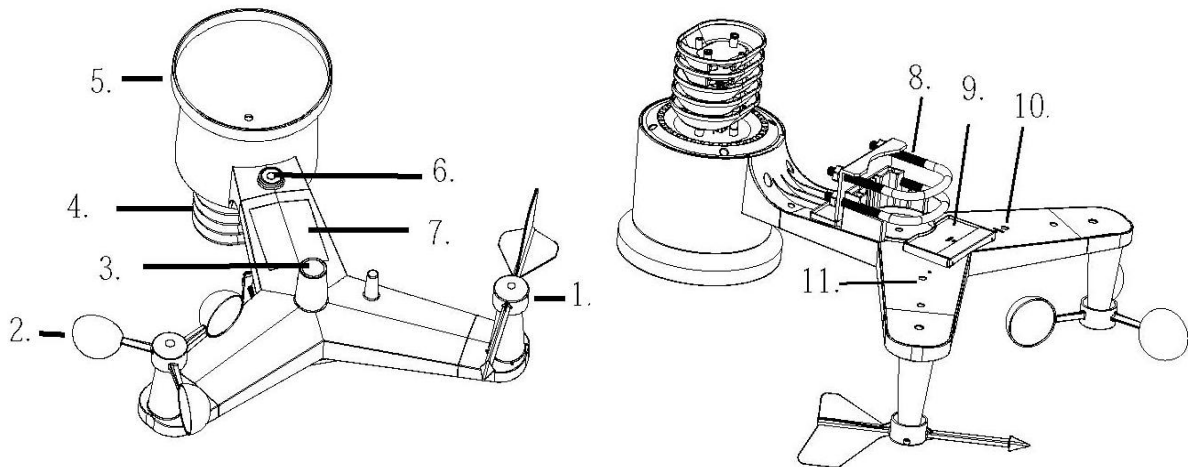
2. Vermeiden Sie Strahlungswärmeübertragung von Gebäuden und Umgebung. Im Allgemeinen sollte das Sensor-Array mindestens 1,5 Meter von Gebäuden, Strukturen sowie Boden oder Dach entfernt sein.
3. Vermeiden Sie Hindernisse von Wind und Regen. Die Faustregel sagt, dass Sie das Sensorarray mindestens im vierfachen Abstand der Höhe des höchsten Hindernisses installieren sollten. Zum Beispiel: wenn das Gebäude 6 Meter hoch ist und die Befestigungsstange 1,80 Meter hoch, installieren Sie diese $4 \times (6 - 1,8)$ Meter = 17 Meter entfernt.
4. Funkreichweite: Die Funkverbindung zwischen Empfänger und Sender in einem offenen Feld kann eine Distanz von bis zu 100 Meter überwinden, sofern keine störenden Hindernisse wie Gebäude, Bäume, Fahrzeuge oder Hochspannungsleitungen vorhanden sind. Funksignale werden nicht in Metallgebäude eindringen. Unter den meisten realistischen Bedingungen ist die maximale Funkreichweite 30 Meter.
5. Funkstörungen wie PCs, Radios oder Fernsehgeräte können im schlimmsten Fall die Funkkommunikation vollständig unterbinden. Bitte berücksichtigen Sie dies bei der Wahl der Standorte für Konsole oder der Anlage. Stellen Sie sicher, dass Ihre Display-Konsole mindestens 1,5 Meter von elektronischen Geräten entfernt ist, um Störungen zu vermeiden.

5. Einstellung Gestartet

5.1 Inhalte

QTY	Artikel
1	Empfänger
1	Thermo-Hygrometer-Barometer Transmitter
1	Y-förmiger Außensensor (einschließlich 1x Thermo-Hygrometer / 1x Regenschirm / 1x Transmitter / 1x Befestigungsklammer für Pfosten / 2x U-Schrauben / 4x Schrauben, montiert)
1	Windfahne
1	Windgeschwindigkeitssensor
1	Regenrichter
1	5V DC Adapter
1	Benutzerhandbuch

5.2 Sensor Aufbau



1. Windfahne
2. Windgeschwindigkeitssensor
3. UV-Sensor/ Lichtsensor
4. Thermo-Hygro-Sensor
5. Regensammler
6. Wasserwaage
7. Solarpanel
8. U-Schraube
9. Batteriefach
10. Reset-Taste

11. LED-Indikator: Leuchtet für 4 Sekunden, wenn das Gerät angeschaltet wird. Danach blinkt die LED einmal alle 16 Sekunden (Die Aktualisierungsperiode der Sensorübertragung).

5.2.1 Windfahne installieren

Schieben Sie die Windfahne in den Schaft wie auf Bild 1 angezeigt.

Ziehen Sie die Einstellschraube wie in Bild 2 gezeigt fest. Stellen Sie sicher, dass sich die Windfahne frei dreht.

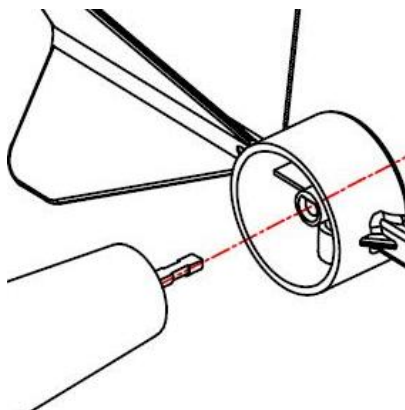


Bild 2

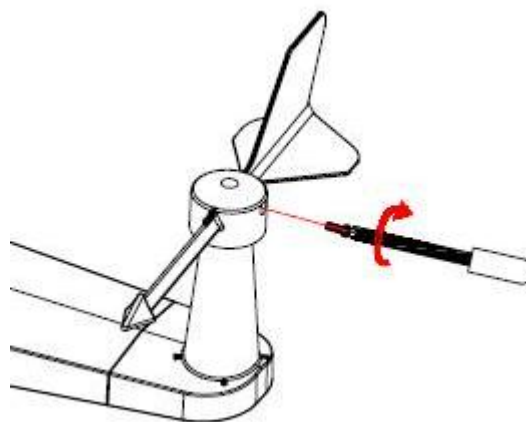


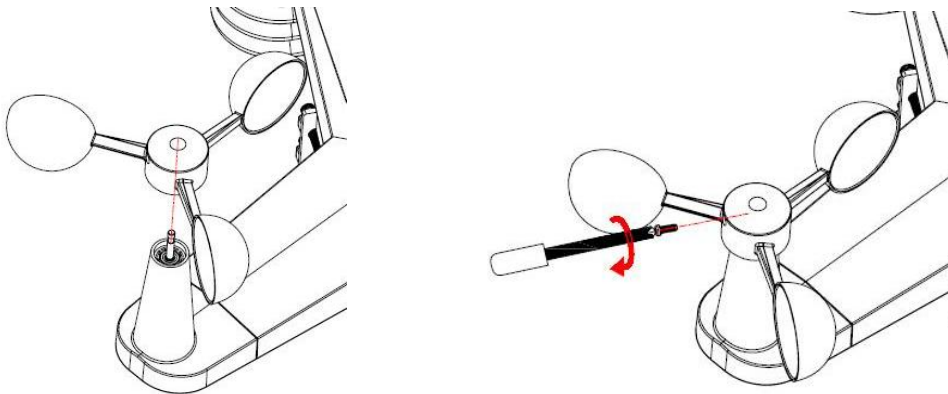
Bild 1

Es gibt vier Buchstaben "N", "E", "S" und "W" für die Windrichtungen Nord, Ost, Süd und West. Der Windrichtungssensor muss so eingestellt werden, dass die Richtungen des Sensors mit Ihrem Standort zusammenpassen. Falls der Windrichtungssensor während der Installation nicht richtig positioniert ist, wird ein permanenter Windrichtungsfehler angezeigt.

5.2.2 Windrad installieren

Schieben Sie das Windrad in den Schaft wie auf Bild 4 angezeigt.

Ziehen Sie die Einstellschraube wie in Abbildung 5 gezeigt fest. Stellen Sie sicher, dass sich das Windrad frei dreht.



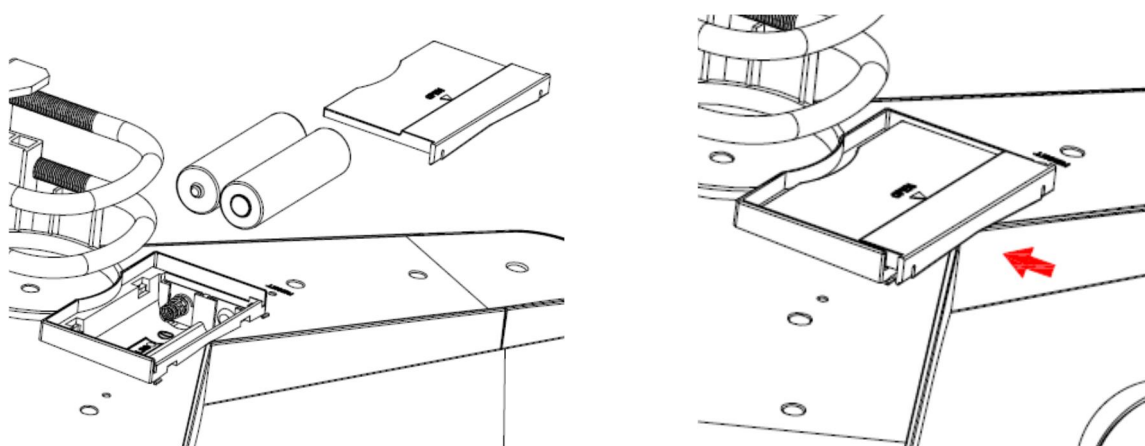
Bild

4

Bild 5

5.2.3 Batterien installieren

Setzen Sie 3x AA wiederaufladbare Batterien ins Batteriefach. Der LED-Indikator auf der Rückseite des Transmitters wird für 4 Sekunden aufleuchten und blinkt normalerweise alle 16 Sekunden (die Aktualisierungsperiode der Sensorübertragung).



Bild

6

Bild 7

Hinweis: Wenn keine LED leuchtet oder dauerhaft leuchtet, stellen Sie sicher, dass der Akku richtig eingesetzt ist oder ein ordnungsgemäßer Reset erfolgt. Installieren Sie die

Batterien nicht verkehrt herum. Sie können das Thermo-Hygrometer dauerhaft beschädigen.

5.2.4 Außensensor montieren

Montieren Sie den Außensensor an den Montagepfosten (separat erhältlich) mit den U-Schrauben wie auf Bild 8 und 9 gezeigt.

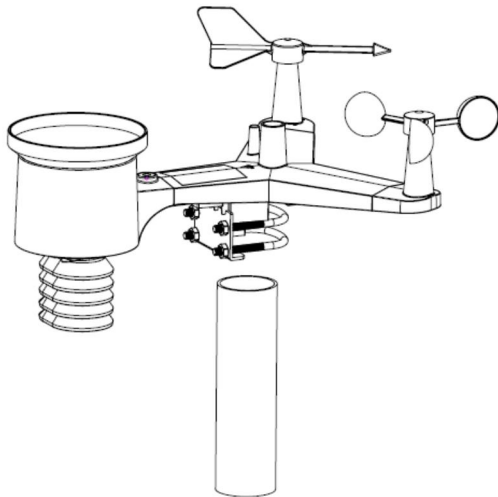


Bild 8

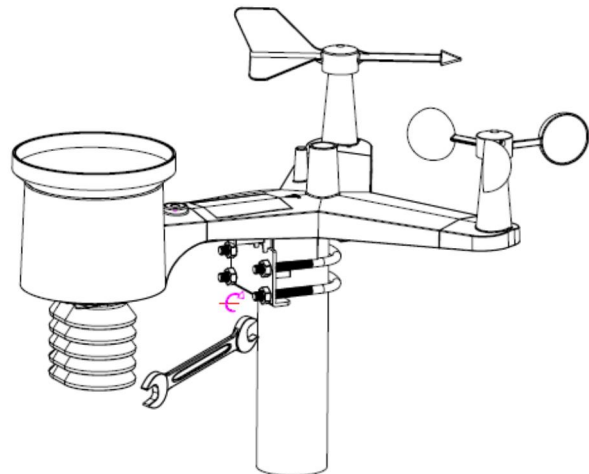


Bild 9

Verwenden Sie die Wasserwaage neben dem Regensensor als Orientierungshilfe, um zu überprüfen, dass die Sensoren eben sind.

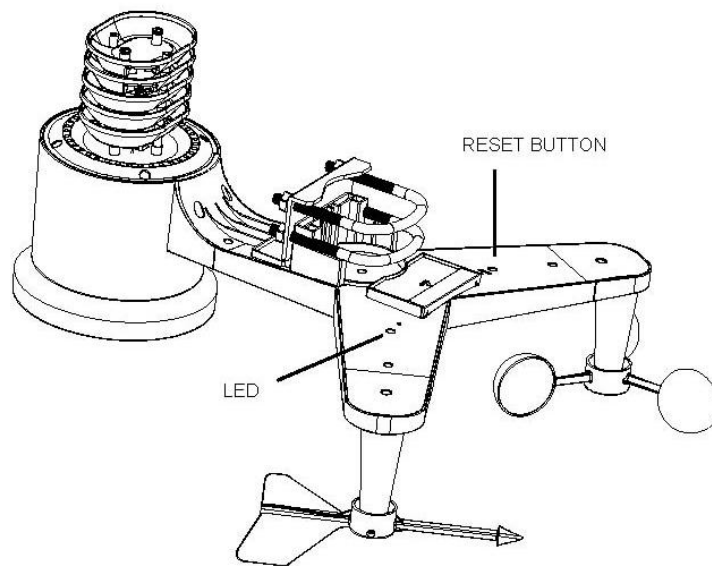
5.2.5 Reset Taste und Transmitter-LED

Im Falle, dass das Sensorarray nicht überträgt, führen Sie einen Reset des Sensorarrays durch.


Halten Sie mit einer offenen Büroklammer die **RESET TASTE** drei Sekunden lang gedrückt, um die Spannung vollständig zu entladen.

Entnehmen Sie die Batterien und warten Sie für eine Minute, während Sie das Solarzellenfeld abdecken, um die Spannung abzulassen.

Setzen Sie Batterien wieder ein und synchronisieren Sie erneut mit der Konsole, indem Sie die Konsole mit dem Sensor-Array etwa 10 Meter entfernt ein- und ausschalten.



5.3 Beste Methoden für die drahtlose Kommunikation

 **Hinweis:** Um eine ordnungsgemäße Kommunikation zu gewährleisten, montieren Sie den oder die Fernsensor(en) aufrecht an einer vertikalen Fläche wie zum Beispiel einer Wand. **Legen Sie den Sensor nicht flach hin.**

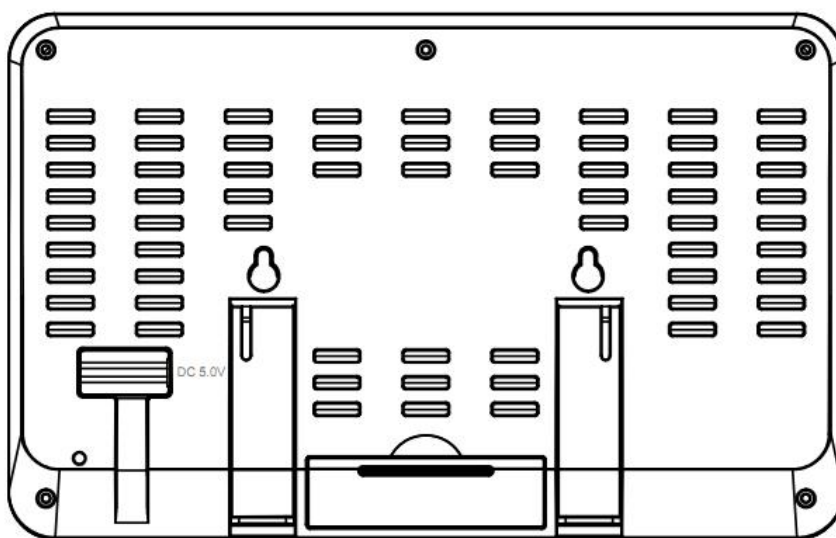
Drahtlose Kommunikation ist anfällig für Störungen, Distanzen, Wände und Metallbarrieren. Wir empfehlen Ihnen die folgenden Methoden für eine störfreie drahtlose Kommunikation:

1. **Elektromagnetische Störungen (EMI, electromagnetic interference).** Halten Sie die Konsole mehrere Meter entfernt von Computermonitoren und Fernsehgeräten.
2. **Funkfrequenzstörungen (RFI, radio-frequency interference).** Falls Sie andere Geräte mit einer Bandbreite von 433 MHz besitzen und die Kommunikation gestört ist, versuchen Sie diese anderen Geräte zur Fehlerbehebung auszuschalten. Eventuell müssen Sie die Sender oder Empfänger verlagern, um eine intermittierende Kommunikation zu vermeiden.
3. **Sichtlinien Bewertung.** Dieses Gerät ist auf 90 Meter Sichtlinie bewertet (keine Störungen, Barrieren oder Wände), aber realistisch bekommen Sie maximal 30 Meter bei den meisten Installationen in der echten Welt, einschließlich Durchlauf durch Barrieren oder Wände.
4. **Metallbarrieren.** Radiofrequenzen gehen nicht durch Metallbarrieren wie Aluminiumwände. Wenn Sie Metallwände haben, richten Sie die Fernbedienung und Konsole durch ein Fenster, um eine klare Sichtlinie zu erhalten.

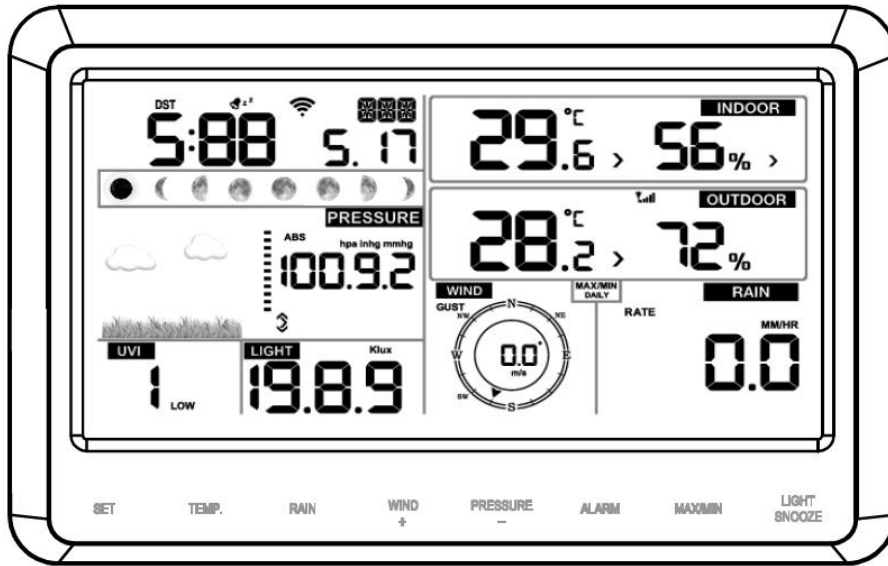
Die folgende Tabelle zeigt den Empfangsverlust durch ein Übertragungsmedium. Jede "Wand" oder Obstruktion verringert die Übertragungreichweite um den unten angezeigten Faktor.

Medium	Reduktion der RF-Signalstärke
Glas (unbehandelt)	5-15%
Plastik	10-15%
Holz	10-40%
Ziegel	10-40%
Beton	40-80%
Metall	90-100%

5.4 Display-Konsole



1. Schließen Sie den 5V AC Adapter an die Rückseite der Display-Konsole an.
Hinweis: Stellen Sie das Außensensor-Array etwa 1,5 bis 3 Meter von der Anzeigekonsole entfernt auf und warten Sie einige Minuten, bis die Fernbedienungsensoren mit der Anzeigekonsole synchronisiert sind.
2. Setzen Sie 3x AAA Batterien in die Display Konsole (optional).
3. Halten Sie den Sensor und die Display-Konsole für etwa 15 Minuten nah beieinander, um die Sensorsignale festzulegen.
4. (Optional): Drehen Sie die Windbecher, um die Windgeschwindigkeit zu simulieren. Bringen Sie den Regensensor zu einer Spüle und tropfen Sie langsam Wasser in den Sammelbehälter, um Regen zu simulieren.
5. Nach 15 Minuten, folgen Sie den Montageanweisungen für die korrekte Platzierung der Sensoren.

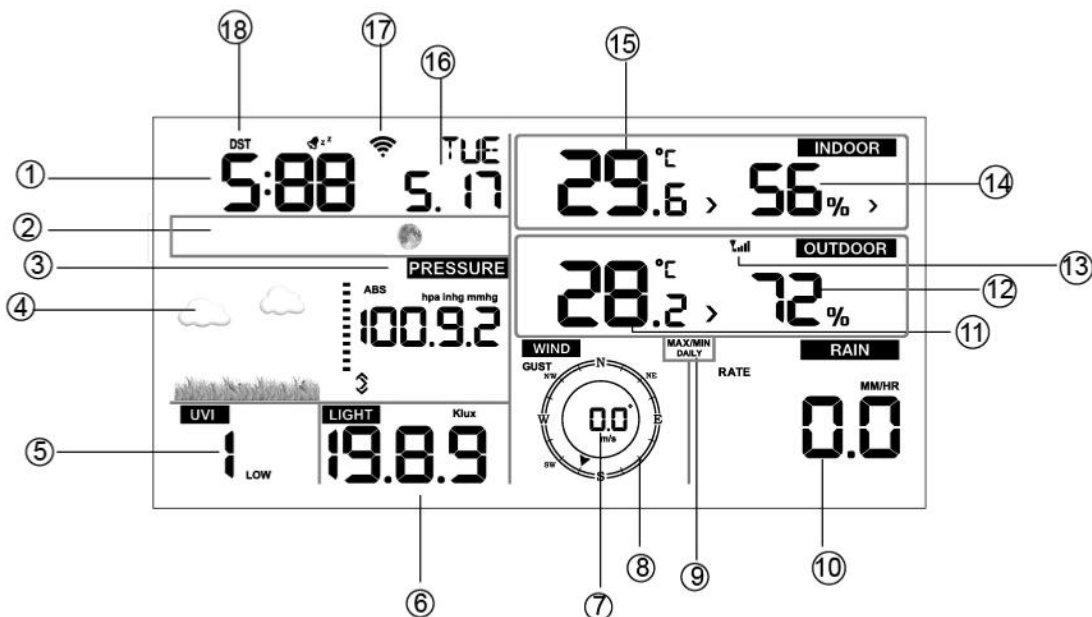


Hinweis: Ihre Display-Konsole sollte Zählerwerte in allen Bereichen haben. Wind und Regen werden 0 anzeigen (verbunden), bis Wind oder Regen auftreten oder simuliert werden.

Hinweis: Wenn Sie nur Batterien verwenden, um die Anzeigekonsole einzuschalten, müssen Sie den LICHT/SNOOZE Knopf drücken, um das LCD zu beleuchten, bevor Sie einen anderen Knopf drücken.

6. Betrieb der Display-Konsole

6.1 Bildschirmanzeige



1. Zeit	10. Regenfall
2. Mondphase	11. Außentemperatur
3. Luftdruck	12. Außenfeuchtigkeit
4. Wettervorhersage	13. RF Symbol
5. UV-Index	14. Innenfeuchtigkeit
6. Licht	15. Innentemperatur
7. Windgeschwindigkeit	16. Datum
8. Windrichtung	17. WIFI Symbol
9. MAX/MIN Täglich	18. DST (Sommerzeit)

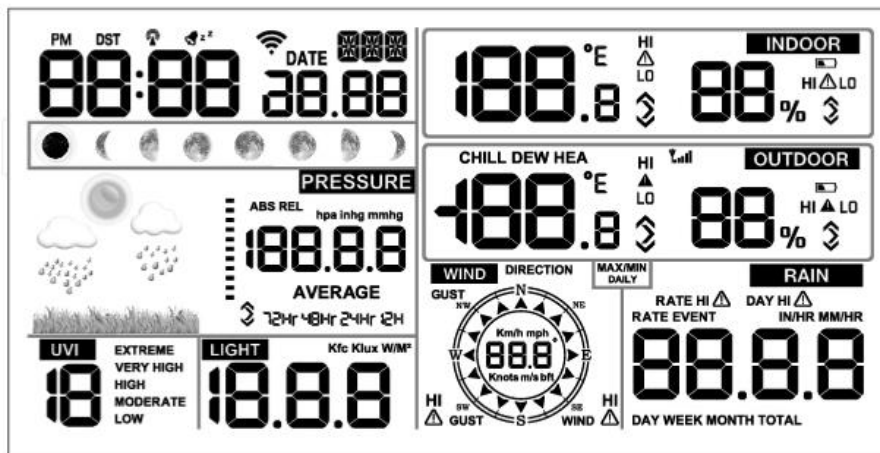
6.2 Ersteinrichtung der Display-Konsole

Schließen Sie das Netzteil an, um die Anzeigekonsole einzuschalten.

Das Gerät zeigt die Nummer der Softwareversion 2 Sekunden nach dem Power-Reset.

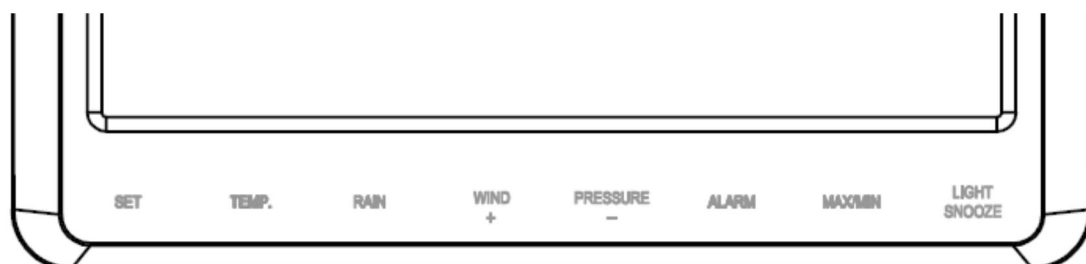


Das Gerät schaltet alle Segmente des LCD für 3 Sekunden nach dem Power-Reset ein, danach beginnt es automatisch, den Outdoor-Kanal für 3 Minuten zu registrieren.



6.3 Tastenfunktion

Die Konsole hat acht Tasten für eine einfache Bedienung.



Taste	Beschreibung
SET	Halten Sie diese Taste um in den Einstellungsmodus zu gelangen
TEMP	Drücken Sie diesen Knopf um Windkälte, Hitzeindex und Taupunkttemperatur anzuzeigen Drücken Sie die TEMP Taste für 5 Sekunden um einen neuen Transmitter zu registrieren.
REGEN	Drücken Sie diese Taste um Regenmenge, Ereignis, Regentag, Regenwoche, Regenmonat und Regen gesamt einzusehen Drücken Sie die REGEN Taste für 2 Sekunden, um das derzeitige Regendisplay zurückzusetzen.
WIND +	Drücken Sie diese Taste, um Wind / Böe und Windrichtung anzuzeigen
DRUCK	Drücken Sie diese Taste, um den Absolutdruck der letzten 12 Stunden, 24 Stunden, 48 Stunden und 72 Stunden anzuzeigen Drücken und halten Sie diese Taste für 2 Sekunden um den Absolutdruck und Relativdruck anzuzeigen.
ALARM	Drücken Sie diese Taste um die Alarmwerte für Temperatur / Feuchte / Regenmenge / Regentag / Wind anzuzeigen.
MAX/MIN	Drücken Sie diese Taste um den MAX/MIN Wert von Temperatur / Feuchtigkeit / Regenrate / Regentag / Wind / UVI / LICHT / Absolutdruck anzuzeigen.
LICHT /SNOOZE	Mit dieser Taste wird die Helligkeit des LCD eingestellt: HI/MID/AUS.

Hinweis:

- 1) Drücken Sie beim Hochfahren die **SET** Taste, um die Wetterstation zurückzusetzen und alle Datensätze zu löschen und alle Benutzereinstellungen auf die Standardeinstellungen zurückzusetzen.
- 2) Drücken Sie beim Hochfahren die **TEMP** Taste, um den Empfang des RF-Signals zu überspringen.
- 3) Im Setting Modus können Sie durch Drücken der **WIND/+** oder **DRUCK/-** Tasten die Anlage wählen oder durch die Werte scrollen; drücken und halten der **WIND/+** oder **DRUCK/-** Taste für 2 Sekunden wird Ziffern in großen Schritten erhöhen/verringern. Der Einstellvorgang kann jederzeit beendet werden, indem entweder die **LICHT / SNOOZE**-Taste gedrückt wird oder das 30-Sekunden-Timeout wirksam wird.

6.4 Einstellungsmodus

Wenn Sie die **SET** Taste für 2 Sekunden gedrückt halten, um den Einstellungsmodus aufzurufen, können die Grundeinstellungen nun in der folgenden Reihenfolge ausgeführt werden:

6.4.1 BEEP



- Drücken Sie die **SET** Taste für 2 Sekunden, um die Einstellungen für den Piepton auszuwählen. Die ON/OFF Ziffern werden daraufhin anfangen zu blinken, durch Drücken der **WIND/+** oder **DRUCK/-** Taste können Sie zwischen ON und OFF wählen.

“BEEP ON” schaltet den Piepton bei jedem Tastendruck an. Falls Sie nicht möchten, dass man den Piepton hört, wählen Sie “BEEP OFF”

6.4.2 MAX/MIN Täglich



- Drücken Sie die **SET** Taste zweimal, um die Einstellungen für **MAX/MIN täglich** auszuwählen. Die ON/OFF Ziffern werden daraufhin anfangen zu blinken, durch Drücken der **WIND/+** oder **DRUCK/-** Taste können Sie zwischen ON und OFF wählen. (Voreinstellung ist ON. ON: Werte werden jeden Tag um 0:00 zurückgesetzt).

6.4.3 DST (daylight savings time, Sommerzeit)



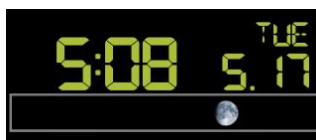
- Drücken Sie die **SET** Taste dreimal, um die Einstellungen für **Sommerzeit** auszuwählen. Die ON/OFF Ziffern werden daraufhin anfangen zu blinken, durch Drücken der **WIND/+** oder **DRUCK/-** Taste können Sie zwischen ON und OFF wählen. (Voreinstellung ist OFF, nur WWVB)

6.4.4 Zeitzone



- Drücken Sie die **SET** Taste ein viertes Mal, um die Einstellungen für **Zeitzone** auszuwählen. Die Ziffern im Bereich Zeitzone werden daraufhin anfangen zu blinken, durch Drücken der **WIND/+** oder **DRUCK/-** Taste können Sie die Werte einstellen. (Stufe: -12 bis +12, Voreinstellung: -5)

6.4.5 Zeit / Datum



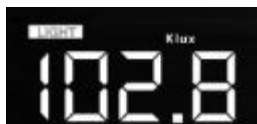
- Drücken Sie die **SET** Taste ein fünftes Mal, um die Einstellungen für 12/24 Std. auszuwählen (Voreinstellung: 24 Std).
 - Drücken Sie die **SET** Taste ein sechstes Mal, um den Stundenabschnitt auszuwählen.
 - Drücken Sie zum siebten Mal die **SET**-Taste, um den Minutenabschnitt auszuwählen.
 - Drücken Sie die **SET**-Taste achtmal, um das DD-MM- oder MM-DD-Format auszuwählen. (Voreinstellung: DD-MM-Format).
 - Drücken Sie die **SET** Taste neunmal, um das Jahr auszuwählen.
 - Drücken Sie die **SET** Taste zehnmal, um den Monat zu wählen.
 - Drücken Sie die **SET** Taste erneut, um den Tag zu wählen.
- Hinweis: Drücken Sie die **WIND/+** oder **Druck/-** Taste, um die Werte einzustellen.
Hinweis: Wenn Benutzer den Minutenwert ändern, werden die Sekunden automatisch auf 0 zurückgesetzt.

6.4.6 Druck



- Drücken Sie die **SET** Taste zwölfmal, um ABS. Druck auszuwählen (hpa, mmhg oder inhg. Voreinstellung: hpa).
 - Drücken Sie die **SET** Taste 13 Mal, um REL. Druck auszuwählen.
- Hinweis: Drücken Sie die **WIND/+** oder **DRUCK/-** Taste, um die Werte einzustellen.
Hinweis: Im normalen Modus können Sie durch Drücken und loslassen der **DRUCK/-** Taste den Durchschnittsdruck der letzten 12, 24, 48 und 72 Stunden anzeigen. Drücken und halten Sie die **DRUCK/-** Taste für 2 Sekunden, um den Absolut- und den Relativdruck anzuzeigen.

6.4.7 Licht



- Drücken Sie die **SET** Taste 14 Mal, um die Einstellungen für Lichteinheit auszuwählen (lux, fc, w/m2. Voreinstellung: w/m2).

6.4.8 Temperatur



- Drücken Sie die **SET** Taste 15 Mal, um die Einstellungen für die Einheit der Innen-/Außentemperatur auszuwählen (C oder F. Voreinstellung: C).
- Im normalen Modus können Sie durch Drücken der **TEMP** Taste Windkälte, Hitzeindex und Taupunkttemperatur einstellen. Drücken der **TEMP** Taste für 5 Sekunden registriert einen neuen Transmitter.

Hinweis: Das Gerät misst alle 60 Sekunden die Innentemperatur, Innenfeuchtigkeit und den Druck. Wenn die Temperatur unter dem Mindestbereich liegt, wird --.- angezeigt. Wenn der Wert über dem höchsten Bereich liegt, wird --.- angezeigt.

6.4.9 Windgeschwindigkeit



- Drücken Sie die **SET** Taste 16 Mal, um die Einstellungen für die Einheit der Windgeschwindigkeit auszuwählen (km/h, mph, Knoten, m/s, bft. Voreinstellung: km/h).
- Im normalen Modus können Sie durch Drücken und Loslassen der **WIND/+** Taste Wind, Windböen und Windrichtung anzeigen.

6.4.10 Regen



- Drücken Sie die **SET** Taste 17 Mal, um die Einstellungen für die Einheit des Regenfalls auszuwählen (in/mm. Voreinstellung: mm).
- Im normalen Modus können Sie durch Drücken und Loslassen der **REGEN** Taste Regenrate, Ereignis, Tag, Woche, Monat und Total anzeigen.
- Drücken Sie die **REGEN** Taste für 2 Sekunden, um die aktuelle Anzeige zurückzusetzen.

Hinweis:

- Das Zurücksetzen des Wochen-Regenfalls wird automatisch den Tages-Regenfall zurücksetzen
- Das Zurücksetzen des Monatsregens setzt automatisch den Wochen- und Tagesregen zurück.
- Das Zurücksetzen des Gesamtregens wird den Monats-, Wochen- und Tagesregen zurücksetzen.

Hinweis:

- Regenmenge: Regenfall der letzten 10 Minuten multipliziert mit 6.
- Regenereignis: Bei Regenfall beginnt das Regenereignis. Falls ein Tag (00:00-24:00) keinen Regenfall bietet oder der Regenfall weniger als 10 mm beträgt, so endet das Regenereignis.
- Tag: definiert durch Kalendertag, d.h. 0:00 - 24:00 mit aktuellem Datum.
- Woche: definiert durch Kalenderwoche, d.h. Sonntag – Samstag.
- Monat: definiert durch Kalendermonat, d.h. Januar 1 - Januar 31.
- Total: Gesamtlaufzeit, seit die Station eingeschaltet wurde

Hinweis: der Transmitter sendet Daten zu Windgeschwindigkeit, Windrichtung und Regenfall alle 16 Sekunden.

6.4.11 Mondphase



- Drücken Sie die **SET** Taste 18 Mal, um die nördliche oder südliche Hemisphäre auszuwählen.

6.5 Alarm Modus

6.5.1 Anzeige von Alarmwert

- 1) Drücken Sie die **ALARM** Taste und lassen Sie diese los, um den hohen Alarm anzuzeigen



- 2) Drücken Sie erneut die **ALARM** Taste, um den niedrigen Alarm anzuzeigen



Hinweis:


- Drücken Sie die **REGEN** Taste, um die Anzeigerate oder die Alarmdaten für den Tagesregen auszuwählen.
- Drücken Sie die **WIND/+** Taste, um Alarmdaten für Wind oder Böen anzuzeigen.
- Drücken Sie die **ALARM** Taste ein drittes Mal oder drücken Sie **LICHT /SNOOZE** Taste, um zum normalen Modus zurückzukehren.



6.5.2 Einstellung des Alarmmodus

- 1) Drücken und halten Sie die **ALARM** Taste für 2 Sekunden, um in die Alarmmodus-Einstellungen zu gelangen:
- 2) Drücken Sie die **WIND/+** oder **DRUCK/-** Taste, um den Alarm ein- oder auszuschalten

und die Alarmwerte einzustellen.

- 3) Drücken Sie die **SET** Taste, um zu bestätigen und zum nächsten Punkt zu gehen.
- 4) Drücken Sie die **ALARM** Taste, um den Alarm ein- oder auszuschalten

Hinweis: Wenn der Alarm ausgelöst wird, blinken das aktuelle Auslöser-Quellen 

Symbol für Zeit, das  Symbol für hohen Wert und das  Symbol für niedrigen Wert, um anzuzeigen, dass der Alarm ausgelöst wurde.

Hinweis: Drücken Sie die **ALARM** Taste ein drittes Mal oder drücken Sie die **LICHT /SNOOZE** Taste, um zurück zum normalen Modus zu kehren.

6.5.3 Alarめinstellung Reihenfolge

- 1) Zeit Alarめinstellung
- 2) Innen-Hochtemperatur Einstellung
- 3) Innen-Tieftemperatur Einstellung
- 4) Innen-Hochfeuchtigkeit Einstellung
- 5) Innen-Niedrigfeuchtigkeit Einstellung
- 6) Hohe Außentemperatur Einstellung
- 7) Niedrige Außentemperatur Einstellung
- 8) Hohe Außenfeuchtigkeit Einstellung
- 9) Niedrige Außenfeuchtigkeit Einstellung
- 10) Starker Wind Einstellung
- 11) Starke Böen Einstellung
- 12) Hohe Regenmenge Einstellung
- 13) Hohe Regentage Einstellung

6.6 Max/min Modus

6.6.1 Drücken Sie die **MAX/MIN** Taste und lassen Sie diese los, um MAX-Daten anzuzeigen



- Drücken Sie die **TEMP** Taste zum Anzeigen von Windkälte, Hitzeindex und max. Taupunkt.
- Drücken Sie die **REGEN** Taste, um Regenmenge, Regentage, Regenwoche und max. Regenmonat anzuzeigen.
- Drücken Sie **WIND/+**, um Wind und Böe max. anzuzeigen.
- Drücken Sie **DRUCK/-** und halten Sie diese für 2 Sekunden, um Absolut- und Relativdruck max. anzuzeigen.

6.6.2 Drücken Sie die Taste erneut, um MIN-Daten anzuzeigen



- Drücken Sie **TEMP** Taste, um Windkälte und min. Taupunkt anzuzeigen.
- Drücken Sie die **DRUCK/-** Taste und halten Sie diese für 2 Sekunden, um min. Absolutdruck und Relativdruck anzuzeigen.

Hinweis: Drücken und halten Sie die **MAX/MIN** Taste, um alle max. oder min. zurückzusetzen.

Drücken Sie die **MAX/MIN** Taste ein drittes Mal oder drücken Sie die **LICHT /SNOOZE** Taste, um zurück zum normalen Modus zu kehren.

6.7 Kalibriermodus

Halten Sie die **TEMP** und **MAX/MIN** Tasten zusammen für 5 Sekunden gedrückt, um den Kalibriermodus zu öffnen.



- Drücken Sie die **WIND/+** und **DRUCK/-** Taste, um die Werte einzustellen.
- Drücken Sie die **SET** Taste, um zu bestätigen und zum nächsten Punkt zu gehen.
- Drücken Sie die **ALARM** Taste, um alle Werte zurückzusetzen.
- Drücken Sie die **LICHT /SNOOZE** Taste jederzeit zum Beenden.

6.7.1 Kalibrier-Reihenfolge

- 1) Innentemperatur-Ausgleich kalibriert (Bereich +/- 9F, Voreinstellung: 0 Grad)
- 2) Innenfeuchtigkeit-Ausgleich kalibriert (Bereich +/- 9%)
- 3) Außentemperatur-Ausgleich kalibriert (Bereich +/- 9F, Voreinstellung: 0 Grad)
- 4) Außenfeuchtigkeit-Ausgleich kalibriert (Bereich +/- 9%)

- 5) Absolutdruck-Ausgleich kalibriert (Bereich +/- 10hpa)
- 6) Windrichtung-Ausgleich kalibriert (Nach Grad einstellen)
- 7) Windgeschwindigkeit-Anpassungsfaktor, Voreinstellung 100% (Bereich 50% bis 150%)
- 8) Regen-Anpassungsfaktor, Voreinstellung 100% (Bereich 50% bis 150%)

6.8 Weitere Funktionen

6.8.1 Werkseinstellung/ Speicher löschen




- 1) Drücken Sie beim Hochfahren die **TEMP** Taste, um den Empfang des RF-Signals zu überspringen.
- 2) Drücken Sie beim Hochfahren die **WIND/+** und **PRESSURE/-** Tasten sobald das volle Display angezeigt wird, um die Wetterstation zurückzusetzen und alle Datensätze zu löschen und alle Benutzereinstellungen auf die Standardeinstellungen zurückzusetzen.
- 3) Drücken der **LICHT /SNOOZE** Taste für 5 Sekunden registriert einen neuen Transmitter.

6.8.2 Hintergrundbeleuchtung (konstante Hintergrundbeleuchtung benötigt Betrieb mit DC Adapter.

- 1) Mit AC Adapter.
Drücken Sie die **LICHT /SNOOZE** Taste, um die LCD Hintergrund Helligkeit zu ändern: HI/MID/OFF
- 2) Ohne DC Adapter
Im normalen Modus wird das Gerät nach 15 Sekunden ohne Drücken einer Taste in den Schlaf-Modus versetzt, die Hintergrundbeleuchtung wird abgeschaltet und die Touch-Tasten werden deaktiviert.
- 3) Halten Sie die **LICHT /SNOOZE** Taste im Schlafmodus oder stecken Sie den stecken Sie den DV-Adapter ein, um das Gerät aufzuwecken. (Sie müssen die **LICHT /SNOOZE** Taste halten und warten, bis die Hintergrundbeleuchtung aktiviert wird, bevor Sie die Taste lösen).

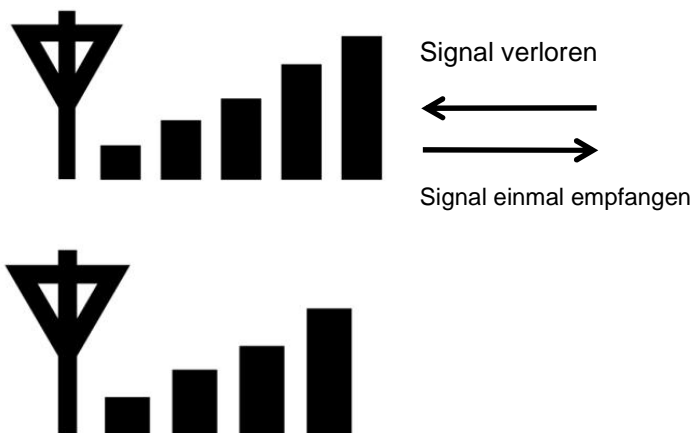
6.8.3 Tendenzindikatoren

- 3-Stunden-Vergleich, welcher sich alle 0,5 Stunden ändert
- z.B.: Daten von 3:00 Uhr verglichen mit denen von 12:00 Uhr; um 3:30 Uhr verglichen mit 12:30 usw.

Tendenz Indikatoren		Feuchtigkeit	Temperatur	Druck
	Steigend	Steigend > 3%	Steigend >= 1C/2F	Steigend > 1hpa
	Stetig	Änderung <= 3%	Änderung < 1C/2F	Änderung <= 1hpa
	Fallend	Fallend > 3%	Fallend >= 1C/2F	Fallend > 1hpa

6.8.4 WiFi-Signalstärke Indikator

Während der Synchronisation wird ein Signalbalken reduziert, wenn das Gerät das Signal nicht einmal vom Sender empfangen hat. Es wird ein Signalbalken erhöht, wenn es das Signal einmal empfangen hat.



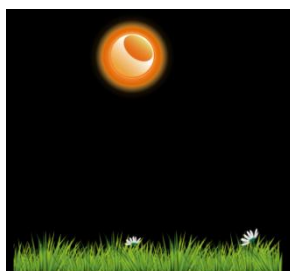
6.8.5 Wettervorhersage: Sonnig, Teilweise sonnig, Bewölkt, Verregnet, Sturm und Verschneit

Wenn die Außentemperatur unter 32 F (0 C) ist und die Vorhersage REGEN oder STURM zeigt, wird der LCD SCHNEE anzeigen.

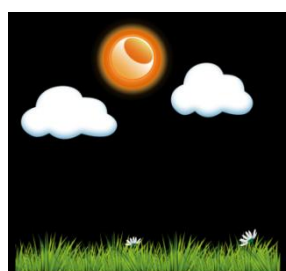
6.8.6 Snooze

Wenn Sie den Zeitalarm einstellen, drücken Sie die **LICHT / SNOOZE** Taste, um den Schlummermodus zu aktivieren. Drücken Sie eine andere Taste um den Schlummermodus zu verlassen.

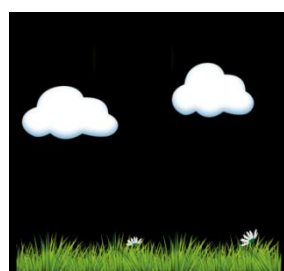
Im Schlummermodus geht der Alarm nach 10 Minuten wieder an.



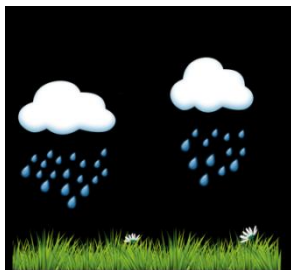
Sonnig



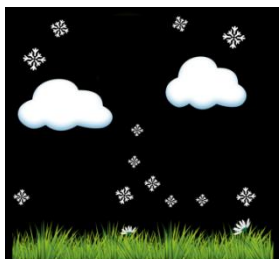
Teilweise sonnig



Bewölkt



Regen



Verschneit

7. WIFI-Verbindungseinstellung auf Mobilgerät

Wenn Sie das Gerät mit dem WIFI verbinden, wird die Innentemperatur nicht gemessen und der Innentransmitter sollte ersetzt werden.

Zur Verbindung des WIFI-Moduls muss das Gerät durch DC betrieben werden, ansonsten funktioniert das WIFI nicht.

WIFI unterstützt nur das Uploaden der aktuellen Daten an den Wetterserver und Zeit wird die Internetzeit sein.

7.1 Wetterserver

Die Wetterstation sendet Daten an zwei verschiedene Hosting-Dienste:

Hosting-Dienst	Webseite	Beschreibung
Weather Underground	WeatherUndeground.com	Weather Underground ist ein kostenloser Wetter-Hosting-Dienst, welcher es Ihnen erlaubt, die Daten Ihrer Wetterstation zu senden und in Echtzeit anzusehen, Diagramme und Messungen anzusehen, Textdaten für ausführlichere Analysen zu importieren und iPhone-, iPad- und Android-Apps erhältlich auf Wunderground.com zu verwenden. Weather Underground ist eine Tochtergesellschaft des Weather Channel und IBM.
		Mesoskala-Netzwerk von über 8.000 Wetterstationen unterhält.
Weather Cloud	WeatherCloud.net	Weathercloud ist ein soziales Netzwerk für Echtzeit-Wetter, gebildet von Beobachtern aus der ganzen Welt.

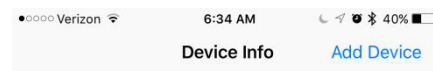
7.2 Verbinden der Wetterstation Konsole mit dem WiFi

Aufgrund des höheren Energiebedarfs funktioniert die WiFi-Funktion nur dann, wenn das Gerät an den Strom angeschlossen wird.

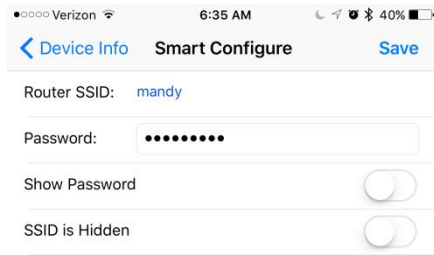
Um die Wetterstation mit dem WiFi zu verbinden, müssen Sie zuerst die App von einer der folgenden Optionen herunterladen:

- Apple App Store
- Google Play Store

1. Von Ihrem Handy besuchen Sie Apple App Store oder Google Play Store und suchen nach der **“WS View Plus”** App. Laden Sie diese Anwendung auf Ihr Mobilgerät herunter.
2. Starten Sie die Wetterstation App und wählen Sie **Gerät hinzufügen**.



3. Stellen Sie sicher, dass Ihr Mobilgerät mit Ihrem WiFi-Netzwerk verbunden ist. Geben Sie das Passwort für Ihren Router ein und wählen Sie **Speichern**.



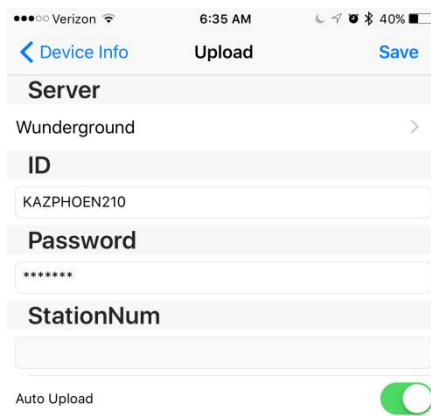
4. Referenzbild unten. Wenn das WiFi Symbol nicht schnell blinkt, (1) drücken und halten Sie die **REGEN** und **ALARM** Tasten gleichzeitig für vier Sekunden. (2) Das WiFi Symbol wird anfangen, schnell zu blinken und anzeigen, dass die Konsole nach Ihrem Netzwerk sucht.



5. Sobald die Konsole mit Ihrem WiFi Netzwerk verbunden ist, werden die Mac- und IP-Adresse Ihres Gerätes angezeigt.



6. Geben Sie Ihre Benutzerdaten von Wunderground.com und WeatherCloud.net Station sowie Ihr Passwort und Ihre StationNum (Abschnitt 0) ein.



7.3 Registrieren mit WeatherUnderground.com, und

WeatherCloud.net

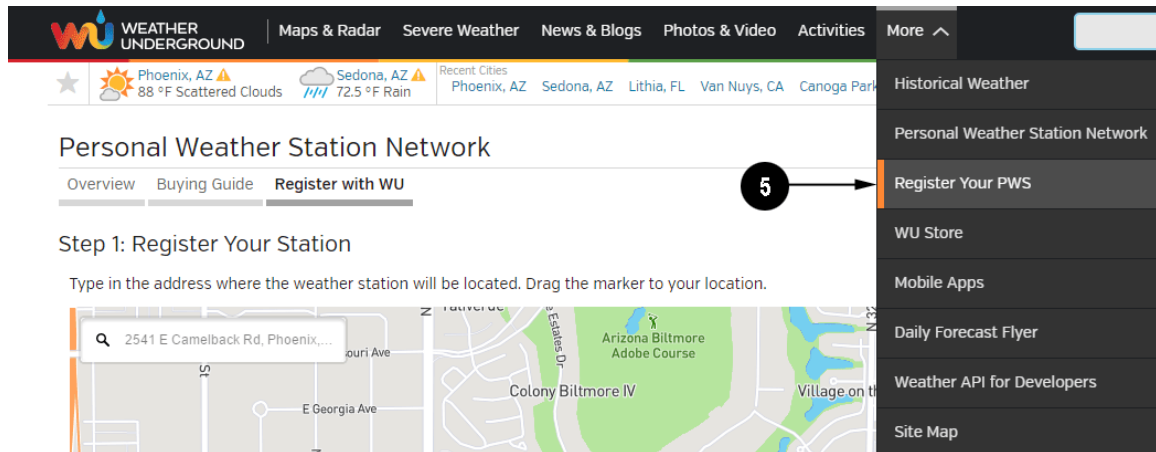
7.3.1 WeatherUnderground.com

Besuchen Sie Wunderground.com und wählen den Link **Join** ganz oben auf der Seite. Wählen Sie die **Free Sign Up Option**.

1. Wählen Sie **More | Register Your PWS**.

2. Klicken Sie auf **Send Validation Email**. Antworten Sie auf die Bestätigungs-Email von Wunderground (es kann einige Minuten dauern).

3. Wählen Sie **More | Register Your PWS** noch einmal und geben Sie alle notwendigen Informationen ein.



4. Nachdem Sie Ihre Station registriert haben, machen Sie eine Notiz von den Folgenden:

- Station ID
- Station Schlüssel / Passwort

Geben Sie Station ID (ID), Station Schlüssel (Passwort) und Station Nummer (StationNum) in das Ambient Tool ein. Lassen Sie das StationNum Feld leer.

Folgendes Bild ist ein Beispiel und Ihre Station ID und Passwort werden anders sein.

Congratulations. Your station is now registered with Wunderground!

You are almost done. Now go to your weather station software and add the following:

Your Station ID:

KAZPHOEN424

Your Station Key/Password:

mdreeley

Hinweis: Ihre Station ID wird diese Form haben: KSSCCCC###, wo K für Stationen in den USA steht (I für International), SS ist Ihr Staat, CCCC ist Ihre Stadt und ### ist die Station Nummer in der Stadt.

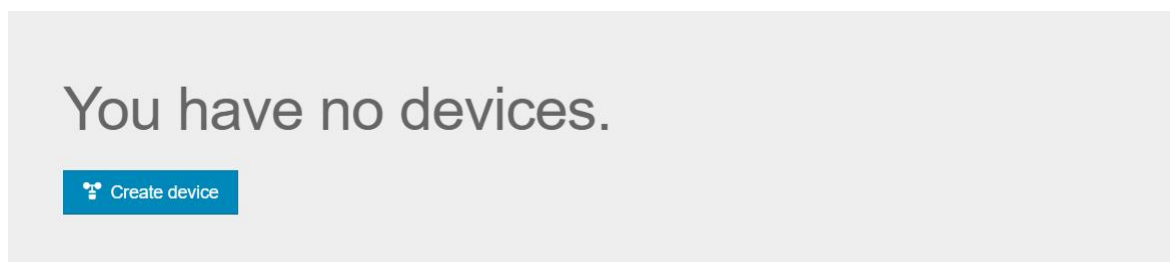
Im Beispiel oben, KAZPHOEN424 ist in den USA (K), Staat Arizona (AZ), Stadt Phoenix (PHOEN) und #424.

7.3.3 WeatherCloud

1. Besuchen Sie WeatherCloud.net und geben Sie einen Benutzernamen, Email und Passwort ein.



2. Antworten Sie auf die Bestätigungs-Email von WeatherCloud (es kann einige Minuten dauern).



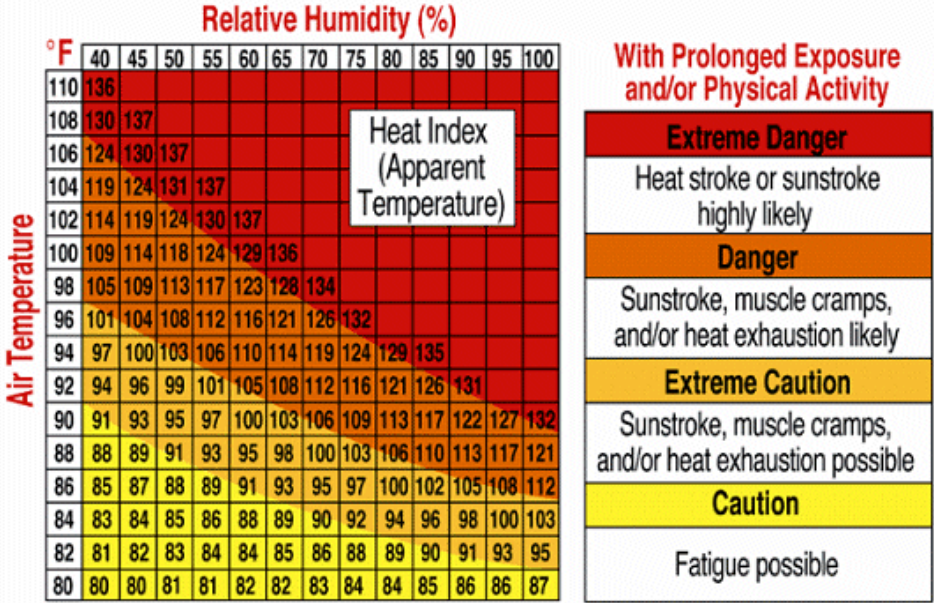
3. Wählen Sie **Create Device** und geben Sie die Daten Ihrer Wetterstation ein. Nachdem Sie Ihre Station registriert haben, machen Sie eine Notiz vom Folgenden:
 - Weathercloud ID
 - Schlüssel

Geben Sie die Weathercloud ID (ID) und den Schlüssel (Passwort) in das Ambient Tool ein. Lassen Sie die Stationsnummer (StationNum) leer.

8. Erläuterung der Begriffe

Begriff	Definition
Absoluter barometrischer Druck	Absoluter Druck ist der gemessene atmosphärische Druck und ist eine Funktion der Höhe und in geringerem Maße auch von Veränderungen der Wetterbedingungen.

Begriff	Definition
	Der absolute Druck wird nicht auf Meeresspiegelbedingungen korrigiert. <i>Siehe relativer barometrischer Druck.</i>
Genauigkeit	Die Genauigkeit wird definiert als Fähigkeit einer Messung, dem tatsächlichen Wert der gemessenen Größe zu entsprechen.
Barometer	Ein Barometer ist ein Instrument, das zur Messung des Atmosphärendrucks verwendet wird.
Kalibrierung	Die Kalibrierung ist ein Vergleich zwischen Messungen - einer bekannten Größe oder Korrektheit eines Gerätes (Standard) und einer weiteren Messung mit einem zweiten Gerät (Instrument), die so ähnlich wie möglich vorgenommen wurde.
Taupunkt	<p>Der Taupunkt ist die Temperatur, bei der ein bestimmtes Stück feuchter Luft bei konstantem barometrischen Druck gekühlt werden muss, damit Wasserdampf wieder in Wasser kondensiert. Das kondensierte Wasser heißt Tau. Der Taupunkt ist eine Sättigungstemperatur.</p> <p>Der Taupunkt ist mit der relativen Feuchte verbunden. Eine hohe relative Luftfeuchtigkeit zeigt an, dass der Taupunkt näher an der aktuellen Lufttemperatur liegt. Relative Feuchtigkeit von 100% zeigt, dass der Taupunkt der aktuellen Temperatur gleicht und die Luft maximal mit Wasser gesättigt ist. Wenn der Taupunkt konstant bleibt und die Temperatur steigt, nimmt die relative Feuchtigkeit ab.</p>
Hitzeindex	<p>Der Hitzeindex, der manchmal als scheinbare Temperatur bezeichnet wird, ist ein Maß dafür, wie heiß es sich wirklich anfühlt, wenn die relative Feuchtigkeit mit der tatsächlichen Lufttemperatur berücksichtigt wird. Um die Hitzeindex-Temperatur zu finden, schauen Sie auf die Hitzeindex-Tabelle unten. Als Beispiel: wenn die Lufttemperatur 35°C beträgt und die relative Feuchtigkeit 65%, dann ist der Hitzeindex (wie heiß es sich anfühlt) 49°C.</p> <p>WICHTIG: Da Hitzeindexwerte für schattige, leichte Windbedingungen ausgelegt wurden, kann die Sonneneinstrahlung die Wärmeindexwerte um bis zu 9° C erhöhen. Auch können starke Winde, besonders mit sehr heißer, trockener Luft, extrem gefährlich sein.</p> <p>Die schattierte Zone des Wärmeindex-Diagramms über 40 ° C zeigt ein Niveau, das bei fortgesetzter Exposition oder körperlicher Aktivität zunehmend schwerwiegende Hitzestörungen verursachen kann. Der Hitzeindex wird nicht unter 26°C berechnet.</p>

Begriff	Definition
	 <p>Heat Index (Apparent Temperature)</p> <p>With Prolonged Exposure and/or Physical Activity</p> <ul style="list-style-type: none"> Extreme Danger: Heat stroke or sunstroke highly likely Danger: Sunstroke, muscle cramps, and/or heat exhaustion likely Extreme Caution: Sunstroke, muscle cramps, and/or heat exhaustion possible Caution: Fatigue possible
Hectopascal (hPa)	Druckeinheiten in SI (internationales System) Maßeinheiten. Gleich wie Millibar (1 hPa = 1 mbar)
Hygrometer	Ein Hygrometer ist ein Gerät, welches relative Feuchtigkeit misst. Relative Feuchtigkeit ist ein Begriff, der verwendet wird, um die Menge oder den Prozentsatz von Wasserdampf zu beschreiben, der in der Luft vorhanden ist.
Zoll von Quecksilber (inHg)	Der Druck in Imperial Maßeinheiten. 1 Zoll Quecksilber = 33,86 Millibar
Regenmesser	<p>Ein Regenmesser ist eine Vorrichtung, die flüssigen Niederschlag (Regen), im Gegensatz zu festen Niederschlag (Schneefall) über einen festgelegten Zeitraum misst.</p> <p>Alle digitalen Regenmesser sind selbst entleerend oder selbst reinigend (auch als Kippregenmesser bezeichnet). Die Präzision des Regenmessers basiert auf dem Regenvolumen pro Entleerungszyklus.</p>
Bereich	Bereich ist definiert als Betrag oder Umfang, in dem ein Wert gemessen werden kann.
Relativer barometrischer Druck	Gemessener barometrischer Druck bezogen auf Ihren Standort oder Umgebungsbedingungen.
Auflösung	Die Auflösung ist definiert als die Anzahl der signifikanten Stellen (Dezimalstellen), auf die ein Wert zuverlässig gemessen wird.
Solarstrahlung	<p>Eine Solarstrahlung misst die Solarenergie der Sonne.</p> <p>Sonnenstrahlung ist die von der Sonne emittierte Strahlungsenergie aus einer Kernfusionsreaktion, die elektromagnetische Energie erzeugt. Das Spektrum der Sonneneinstrahlung ähnelt der eines schwarzen Körpers mit einer Temperatur von etwa 5800 K. Etwa die Hälfte der Strahlung befindet</p>

Begriff	Definition
	sich im sichtbaren Kurzwellenteil des elektromagnetischen Spektrums. Die andere Hälfte ist meist im nahinfraroten Teil, mit einigen im ultravioletten Teil des Spektrums.
Thermometer	Ein Thermometer ist ein Gerät, welches Temperatur misst. Die meisten digitalen Thermometer sind widerstandsfähige thermische Geräte (RTD). RTDs prognostizieren eine Änderung der Temperatur als Funktion des elektrischen Widerstands.
Windfahne	Eine Windfahne ist ein Gerät, welches die Windrichtung misst. Die Windfahne wird in der Regel mit dem Anemometer kombiniert. Windrichtung ist die Richtung, aus der der Wind weht.

9. Spezifikation

Außendaten

Übertragungreichweite in offenem Feld : 100m(330 Fuß)

Frequenz : 433/868/915 MHz

Temperaturbereich : -25°C to +60°C (-14□ to + 140□)

Genauigkeit : +/- 1°C

Auflösung : 0.1°C

Messbereich relative Feuchtigkeit : 10%~99%

Genauigkeit : +/- 5%

Regenvolumenanzeige : 0 – 6000mm (zeigt --- falls

Außenbereich)

Genauigkeit : +/- 10%

Auflösung : 0.1in (falls

Regenvolumen < 1000mm)

1mm (falls

Regenvolumen > 1000mm)

Windgeschwindigkeit : -50m/s (0~100mph) (zeigt --- wenn Außenbereich)

Genauigkeit : +/- 1m/s

(Windgeschwindigkeit < 5m/s)

+/-10% (Windgeschwindigkeit > 5m/s)

Licht : 0-400k Lux

Genauigkeit : +/-15%

Messintervall-Außensensor : 16 Sek

Innendaten

Innentemperaturbereich : -10°C-60°C (14□ to + 140□) (zeigt --- wenn Außenbereich)

Auflösung : 0.1°C

Messbereich relative Feuchtigkeit : 10%~99%

Auflösung : 1%

Messweite Luftdruck : 300-1100hPa (8.85-32.5inHg)

Genauigkeit : +/-3hpa unter 700-1100hPa

Auflösung : 0.1hPa (0.01inHg)

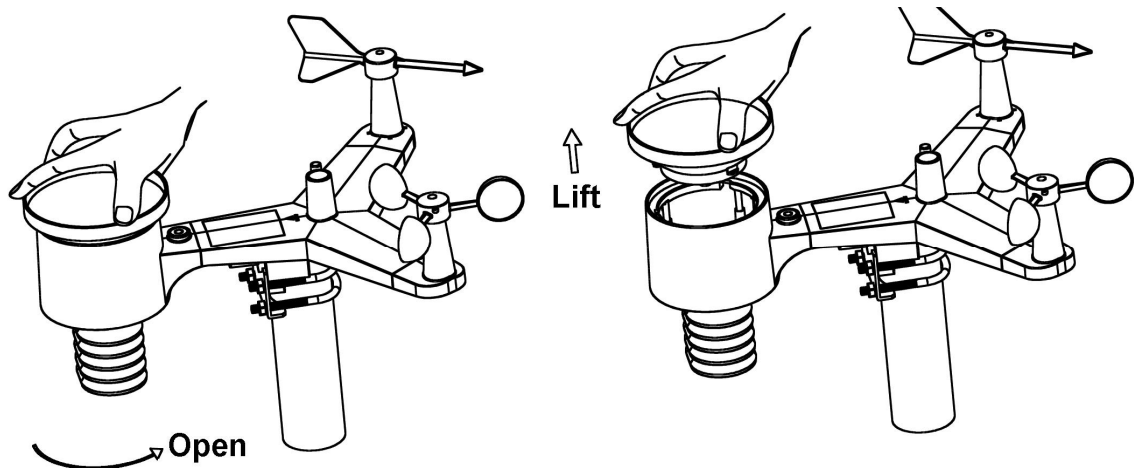
Alarmdauer : 120 sec

10. Energieverbrauch

- Basisstation: 5V DC Adapter (inbegriffen), Energieverbrauch: 0,5 Watt (1,25 Watt während WiFi Konfigurationsmodus)
- Außensensor-Array: 3x AA Batterien (nicht inbegriffen)

11. Wartung

1. Reinigen Sie den Regenmesser einmal alle 3 Monate. Drehen Sie den Trichter gegen den Uhrzeigersinn und heben Sie ihn an, um den Regenmessermechanismus freizulegen und mit einem feuchten Tuch zu reinigen. Entfernen Sie Schmutz, Schutt und Insekten. Wenn Insektenbefall ein Problem ist, sprühen Sie das Array leicht mit Insektizid ein.




2. Reinigen Sie den Solarstrahler und das Solarpaneel alle 3 Monate mit einem feuchten Tuch.
3. Ersetzen Sie die Batterien alle 1-2 Jahre. Wenn sie zu lange im Gerät gelassen werden, können die Batterien aufgrund von Umwelteinflüssen auslaufen.
4. In verschneiten Umgebungen: sprühen Sie die Spitze der Wetterstation mit Anti-Vereisung-Silikon-Spray ein, um die Ansammlung von Schnee zu verhindern.

12. Anleitung zur Fehlerbehebung

Problem	Lösung
<p>Außensensor-Array kommuniziert nicht mit der Anzeigekonsole.</p>	<p>Das Sensorarray kann ordnungsgemäß initiiert worden sein und die Daten werden von der Konsole als ungültig registriert und die Konsole muss zurückgesetzt werden. Drücken Sie die Reset Taste wie in beschrieben.</p> <p>Mit einer offenen Büroklammer drücken Sie die Reset-Taste für 3 Sekunden, um die Spannung vollständig zu entladen. Nehmen Sie die Batterien heraus und warten Sie eine Minute, während Sie das Solarpanel abdecken, um die Spannung zu entladen.</p> <p>Setzen Sie Batterien wieder ein und resynchronisieren Sie die Konsole (Abschnitt 6.12) mit dem Sensor-Array etwa 10 Meter entfernt.</p> <p>Die LED neben dem Batteriefach wird alle 16 Sekunden blinken. Falls die LED nicht alle 16 Sekunden blinkt...</p> <p>Tauschen Sie die Batterien im Außensensor-Array aus. Falls die Batterien kürzlich ersetzt wurden, prüfen Sie die Polarität. Falls der Sensor alle 16 Sekunden blinkt, gehen Sie zum nächsten Schritt über.</p>

Problem	Lösung
	<p>Es kann zu einem vorübergehenden Kommunikationsverlust aufgrund von Empfangsstörungen in Bezug auf Interferenz oder anderen Standortfaktoren kommen oder die Batterien im Sensorarray wurden geändert und die Konsole nicht zurückgesetzt. Die Lösung kann so einfach sein wie das Ein- und Ausschalten der Konsole (entfernen Sie die Stromversorgung und die Batterien, warten Sie 10 Sekunden und legen Sie Netzstrom und Batterien wieder ein).</p>
<p>Temperatursensor misst untertags zu hoch</p>	<p>Stellen Sie sicher, dass das Sensorarray nicht zu nahe an wärmeerzeugenden Quellen oder Strukturen wie Gebäuden, Bürgersteigen, Wänden oder Klimageräten steht.</p> <p>Verwenden Sie die Kalibrierungsfunktion, um die Installationsprobleme im Zusammenhang mit Strahlungswärmequellen auszugleichen. Abschnitt.</p>
<p>Der relative Druck stimmt nicht mit der offiziellen Berichterstattungsstation überein</p>	<p>Sie zeigen vielleicht den Absolutdruck und nicht den Relativdruck an.</p> <p>Wählen Sie den Relativdruck. Stellen Sie sicher, dass Sie den Sensor ordnungsgemäß auf einer offiziellen lokalen Wetterstation kalibrieren. Siehe Abschnitt 6.4 für Details.</p>
<p>Regenmesser berichtet Regen, wenn es nicht regnet</p>	<p>Eine instabile Montagelösung (Schwankung im Montagepol) kann dazu führen, dass die Kippschaufel die Regenmenge nicht richtig erhöht. Stellen Sie sicher dass Sie eine stabile Montagelösung haben.</p>
<p>Daten werden nicht an Wunderground.com gemeldet</p>	<ol style="list-style-type: none"> 1. Stellen Sie sicher, dass Ihr Passwort oder Schlüssel richtig ist. Es ist das Passwort mit dem Sie sich auf Wunderground.com registriert haben. Ihr Wunderground.com Passwort kann nicht mit einem nicht-alphanumerischen Zeichen beginnen(eine Einschränkung von Wundeground.com, nicht der Station). Beispiel: \$oewkrf ist Kein gültiges Kennwort, aber oewkrf\$ ist gültig. 2. Stellen Sie sicher, dass die ID Ihrer Station richtig ist. Die ID der Station ist in Caps und das häufigste Problem ist die Verwechslung von O und 0 (oder visa versa). Beispiel, KAZPHOEN11, nicht KAZPH0EN11 3. Stellen Sie sicher, dass das Datum und die Zeit auf der Konsole richtig ist. Wenn Sie falsch sind, können Sie alte Daten, nicht Echtzeitdaten, melden.

Problem	Lösung
	<ol style="list-style-type: none"> <li data-bbox="627 241 1396 353">4. Stellen Sie sicher, dass Ihre Zeitzone richtig eingestellt ist. Wenn Sie falsch sind, können Sie alte Daten, nicht Echtzeitdaten, melden. <li data-bbox="627 409 1369 477">5. Prüfen Sie die Firewall Einstellungen Ihres Routers. Die Konsole sendet Daten über Port 80.
Keine WiFi Verbindung	<ol style="list-style-type: none"> <li data-bbox="627 499 1372 645">1. Prüfen Sie das WiFi Symbol auf dem Display. Wenn die WLAN-Verbindung erfolgreich ist, wird das WiFi-Symbol  im Zeitfeld angezeigt. <li data-bbox="627 701 1324 768">2. Stellen Sie sicher, dass die WiFi Einstellungen Ihres Modems richtig sind (Netzwerkname und Passwort).