

SubMARINE™ LED

Damp proof luminaire



Areas of application

- Basement
- Garage
- Warehouse

Product benefits

- Damp proof luminaire equipped with energy saving LED-Tube (1700lm)
- Energy savings up to 65 % (compared to T8 fluorescent lamp on CCG)
- LED-Tube exchangeable
- Homogenous light output
- Extremely break resistant thanks to Polyester body and Polypropylene cover
- Resistant to corrosion and humidity
- Low-flammable



Product features

- Damp-proof luminaire with LED tube for mains voltage operation
- SubstiTUBE Value 1.2 m LED tube with 1700lm included
- Electrical connection via sealed waterproof plugs on the side
- Lifetime up to 30,000h
- Color temperature: 4,000 K /
- Color rendering index Ra: > 80
- Mercury-free and RoHS compliant
- Non dimmable
- Type of protection: IP65

Technical data

Electrical data

Nominal wattage	19 W
Nominal voltage	220 - 240 V
Mains frequency	50/60 Hz

Photometrical data

Color temperature	4000 K
Luminous flux	1550 lm
Light color (designation)	Cool white

Light technical data

Light distribution	Symmetric
--------------------	-----------

Dimensions & weight

Length	1275 mm
Width	90 mm
Height	93 mm

Colors & materials

Body material	Polyester
Product color	Grey
Cover material	Polypropylene

Temperatures

Ambient temperature range	-20...+35 °C
---------------------------	--------------

Capabilities

Type of installation	Surface-mounted
Type of connection	Terminal, 2 pole, 0.75mm ² – 1.5mm ²

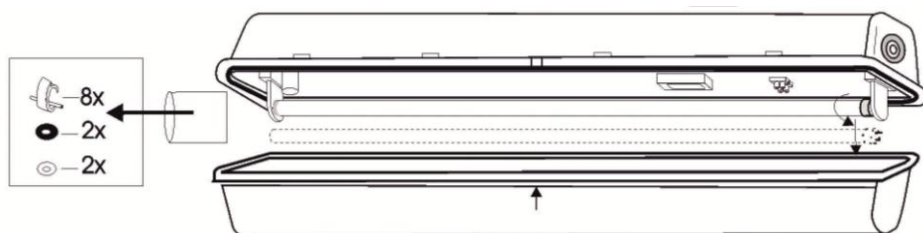
Certificates & standards

Protection class	II
Type of protection	IP65
Protection against ignition and fire	F

Product datasheet

Equipment / Accessories

- 1x SubstiTUBE Value 1.2m LED Tube included (1700lm)



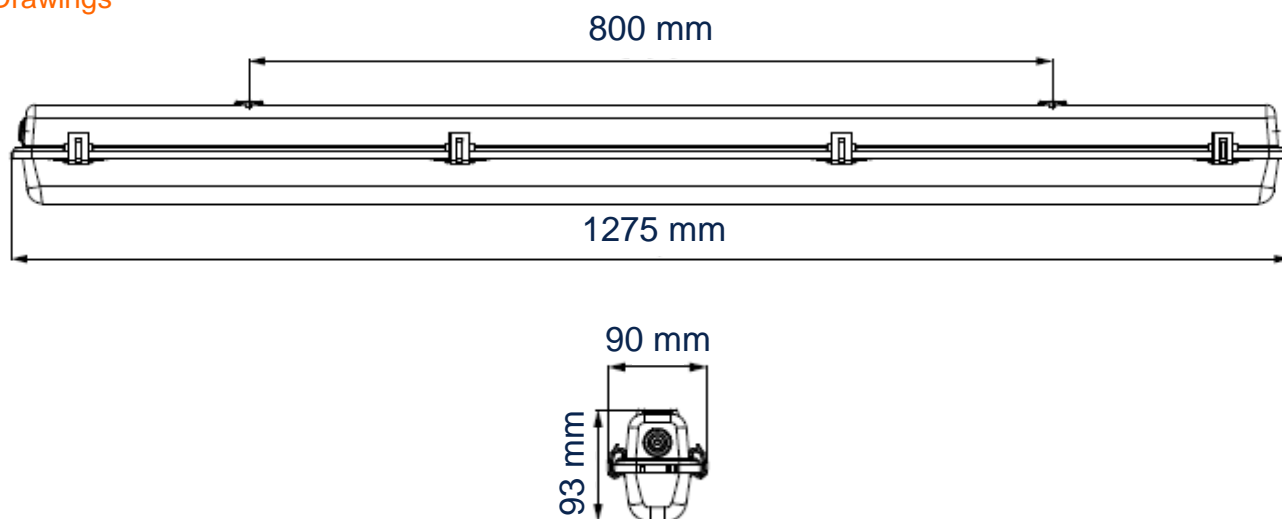
Logistical Data

Product code EAN*	Product description	S-Unit**	Dimensions (length x width x height)	Volume	Gross weight
4052899948181	SubMARINE1.2m 19W/840	110 x 1	1350mm x 800mm x 1155mm	1247.4 dm ³	139 kg

* EAN: Ordering number per single module

** S-Unit: Lamps per shipping unit

Drawings

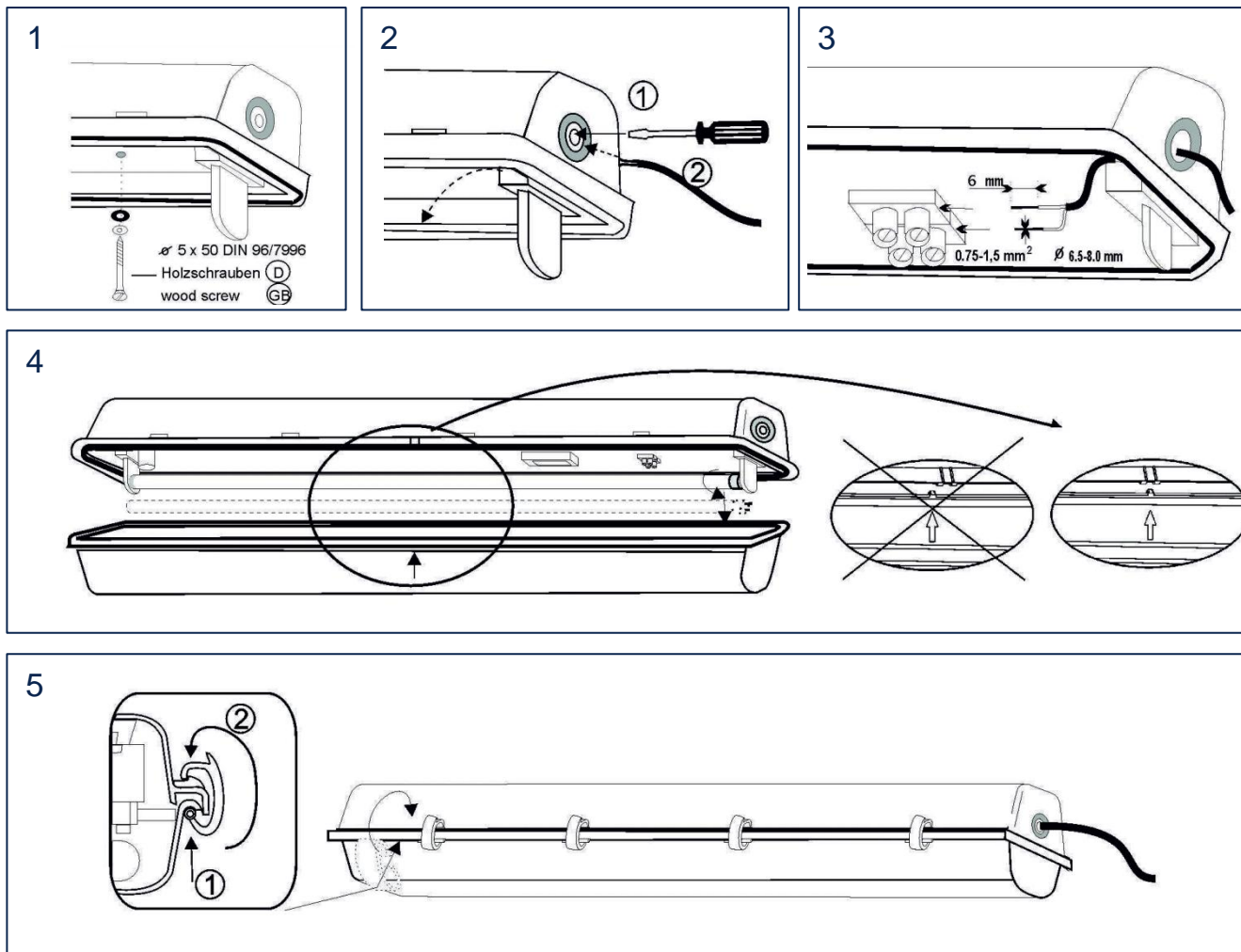


Safety and Application notes

- The SubMARINE must not be damaged or operated in a damaged condition.
- SubstiTUBE Value EM and SubstiTUBE Start are preinstalled.
- For use of OSRAM SubstiTUBE EM products only which can be operated on direct mains voltage 220V-240V. SubstiTUBE Start must be inserted for operation.
- For indoor use



Installation Instruction



Sales and technical support

OSRAM GmbH

Marcel-Breuer-Strasse 6
D - 80807 München Germany
www.osram.com
+49 (0)89 6213-0

Sales and technical support is given by the local OSRAM subsidiaries.
On our world wide homepage all OSRAM subsidiaries are listed with complete address and phone numbers.

Further information

Downloads: www.osram.com/

Disclaimer

Subject to change without notice. Errors and omission excepted. Always make sure to use the most recent release.