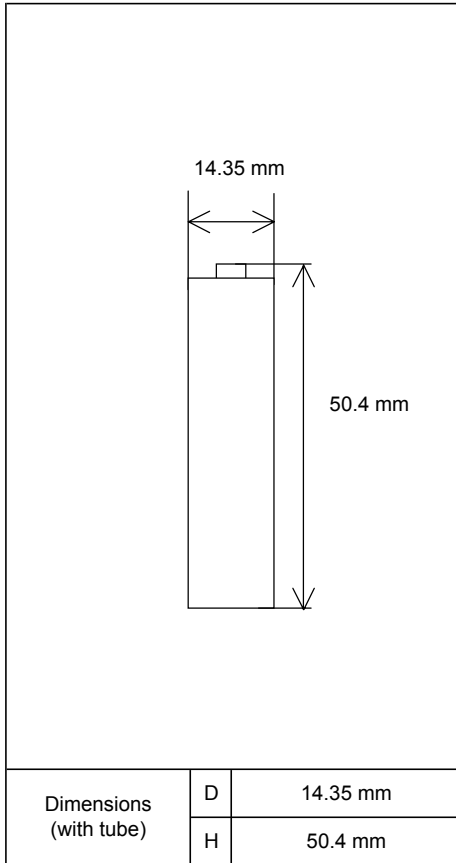




Empowering Your Digital Life.

MH-AA270

Specifications

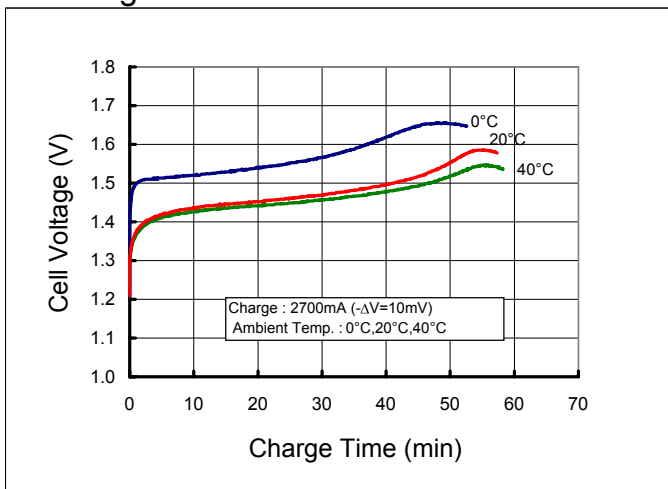


Type : Nickel-Metal Hydride Battery		Size : AA Consumer Type
Capacity ¹⁾	Typical	2700mAh
	Minimum	2500mAh
Nominal Voltage		1.2V
Charging Current x Time	Fast Charge ²⁾	2700mA × 1.1h
Ambient Temp.	Charge Condition	Fast Charge ²⁾ 0°C - 40°C
	Discharge Condition 0°C - 50°C	
	Storage Condition	Less than 30days
Less than 90days		-20°C - 40°C
Less than 1year		-20°C - 30°C
Internal Impedance ³⁾ (after discharge to E.V.=1.0V)		Approx. 25m Ω (at 1000Hz)
Weight ⁴⁾		Approx.30g
Size ⁴⁾ : (Diameter) x (Height)		14.35(D) x 50.4(H) mm

- 1)Single cell capacity under the following condition.
Charge : 270mA×16h, Discharge : 540mA(E.V.=1.0V) at 20°C
- 2)Use recommended charging system.
- 3)After a few charge and discharge cycles under the above 1) condition.
- 4)With tube.

Typical Characteristics

Charge



Discharge

