

# 6N135/6, HCNW135/6

# HCPL-2502/0500/0501

Single Channel, High Speed Optocouplers



## Data Sheet



Lead (Pb) Free  
RoHS 6 fully  
compliant

RoHS 6 fully compliant options available;  
-xxxE denotes a lead-free product

### Description

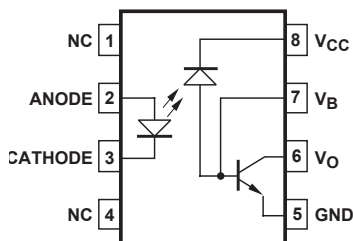
These diode-transistor optocouplers use an insulating layer between a LED and an integrated photodetector to provide electrical insulation between input and output. Separate connections for the photodiode bias and output-transistor collector increase the speed up to a hundred times that of a conventional phototransistor coupler by reducing the base-collector capacitance.

These single channel optocouplers are available in 8-Pin DIP, SO-8 and Widebody package configurations.

The 6N135, HCPL-0500, and HCNW135 are for use in TTL/CMOS, TTL/LSTTL or wide bandwidth analog applications. Current transfer ratio (CTR) for these devices is 7% minimum at  $I_F = 16$  mA.

The 6N136, HCPL-2502, HCPL-0501, and HCNW136 are designed for high speed TTL/TTL applications. A standard 16 mA TTL sink current through the input LED will provide enough output current for 1 TTL load and a 5.6 k $\Omega$  pull-up resistor. CTR for these devices is 19% minimum at  $I_F = 16$  mA.

### Functional Diagram



| LED | V <sub>O</sub> |
|-----|----------------|
| ON  | LOW            |
| OFF | HIGH           |

A 0.1  $\mu$ F bypass capacitor must be connected between pins 5 and 8.

### Features

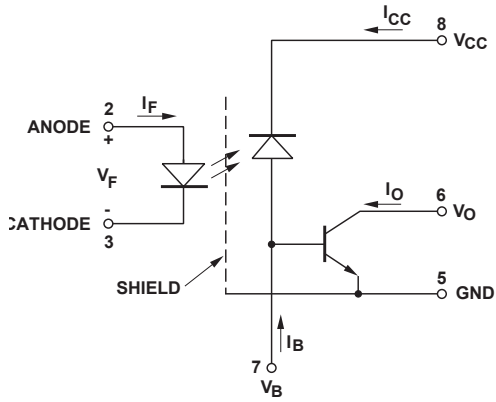
- High speed: 1 Mb/s
- TTL compatible
- Available in 8-Pin DIP, SO-8, widebody packages
- Open collector output
- Safety approval  
UL Recognized – 3750 V<sub>rms</sub> for 1 minute (5000 V<sub>rms</sub> for 1 minute for HCNW and Option 020 devices) per UL1577  
CSA Approved  
IEC/EN/DIN EN 60747-5-5 Approved
  - V<sub>IORM</sub> = 567 V peak for SO-8 devices
  - V<sub>IORM</sub> = 630 V peak for DIP 300 mil devices
  - V<sub>IORM</sub> = 1414 V peak for DIP 400 mil (widebody) devices
- Dual channel version available (253X/053X/0534)

### Applications

- High voltage insulation
- Video signal isolation
- Line receivers
- Feedback element in switched mode power supplies
- High speed logic ground isolation
  - TTL/TTL, TTL/CMOS, TTL/LSTTL
- Replaces pulse transformers
- Replaces slow phototransistor isolators
- Analog signal ground isolation

**CAUTION:** It is advised that normal static precautions be taken in handling and assembly of this component to prevent damage and/or degradation which may be induced by ESD.

## Schematic



## Selection Guide

| Minimum CMR  |                     | 8-Pin DIP (300 Mil)        |                        |                       | Small-Outline SO-8     |                       | Widebody (400 Mil)     |
|--------------|---------------------|----------------------------|------------------------|-----------------------|------------------------|-----------------------|------------------------|
| dV/dt (V/μs) | V <sub>CM</sub> (V) | Current Transfer Ratio (%) | Single Channel Package | Dual Channel Package* | Single Channel Package | Dual Channel Package* | Single Channel Package |
| 1,000        | 10                  | 7                          | 6N135                  | HCPL-2530             | HCPL-0500              | HCPL-0530             | HCNW135                |
|              |                     | 19                         | 6N136                  | HCPL-2531             | HCPL-0501              | HCPL-0531             | HCNW136                |
|              |                     | 15                         | HCPL-2502              |                       |                        |                       |                        |

\*Technical data for these products are on separate Avago publications.

## Ordering Information

6N135, 6N136, HCPL-2502, HCPL-0500, HCPL-0501 are UL Recognized with 3750 V<sub>rms</sub> for 1 minute per UL1577.

HCNW135, HCNW136 are UL Recognized with 5000 V<sub>rms</sub> for 1 minute per UL1577. All these devices are approved under CSA Component Acceptance Notice #5, File CA 88324.

| Part number                 | Option         |                    | Package                      | Surface Mount | Gull Wing | Tape & Reel | UL 5000<br>V <sub>rms</sub> / 1 Minute rating | IEC/EN/DIN EN 60747-5-5 | Quantity      |
|-----------------------------|----------------|--------------------|------------------------------|---------------|-----------|-------------|-----------------------------------------------|-------------------------|---------------|
|                             | RoHS Compliant | Non RoHS Compliant |                              |               |           |             |                                               |                         |               |
| 6N135<br>6N136<br>HCPL-2502 | -000E          | No option          | 300mil<br>DIP-8              |               |           |             |                                               |                         | 50 per tube   |
|                             | -300E          | #300               |                              | X             | X         |             |                                               |                         | 50 per tube   |
|                             | -500E          | #500               |                              | X             | X         | X           |                                               |                         | 1000 per reel |
|                             | -020E          | #020               |                              |               |           |             | X                                             |                         | 50 per tube   |
|                             | -320E          | #320               |                              | X             | X         |             | X                                             |                         | 50 per tube   |
|                             | -520E          | #520               |                              | X             | X         | X           | X                                             |                         | 1000 per reel |
|                             | -060E          | #060               |                              |               |           |             |                                               | X                       | 50 per tube   |
|                             | -360E          | #360               |                              | X             | X         |             |                                               | X                       | 50 per tube   |
|                             | -560E          | #560               |                              | X             | X         | X           | X                                             | 1000 per reel           |               |
| HCPL-0500<br>HCPL-0501      | -000E          | No option          | SO-8                         |               |           |             |                                               |                         | 100 per tube  |
|                             | -500E          | #500               |                              | X             | X         | X           |                                               |                         | 1500 per reel |
|                             | -060E          | #060               |                              |               |           |             |                                               | X                       | 100 per tube  |
|                             | -560E          | #560               |                              | X             | X         | X           |                                               | X                       | 1500 per reel |
| HCNW135<br>HCNW136          | -000E          | No option          | 400 mil<br>Widebody<br>DIP-8 |               |           |             | X                                             | X                       | 42 per tube   |
|                             | -300E          | #300               |                              | X             | X         |             | X                                             | X                       | 42 per tube   |
|                             | -500E          | #500               |                              | X             | X         | X           | X                                             | X                       | 750 per reel  |

To order, choose a part number from the part number column and combine with the desired option from the option column to form an order entry.

Example 1:

HCPL-2502-560E to order product of 300 mil DIP Gull Wing Surface Mount package in Tape and Reel packaging with IEC/EN/DIN EN 60747-5-5 Safety Approval in RoHS compliant.

Example 2:

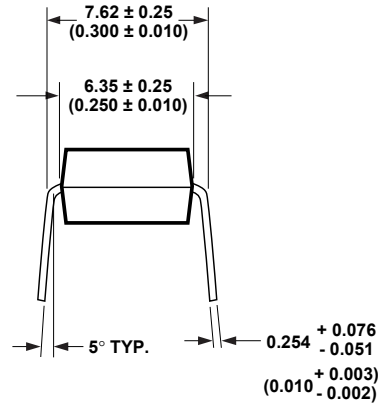
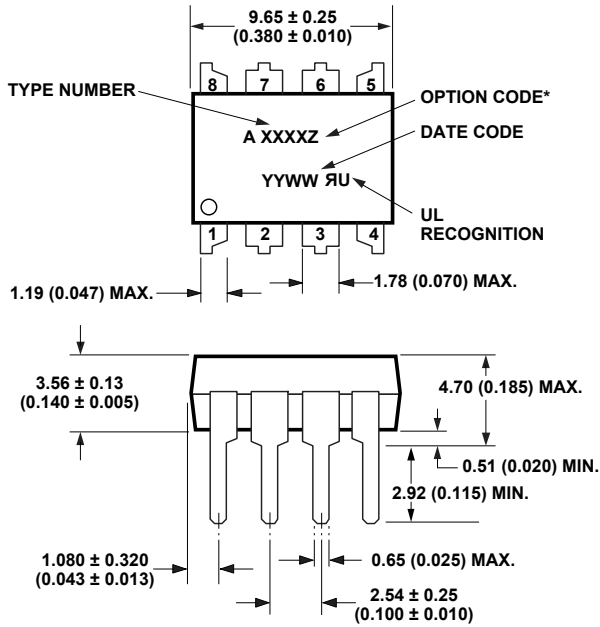
HCPL-2502 to order product of 300 mil DIP package in tube packaging and non RoHS compliant.

Option datasheets are available. Contact your Avago sales representative or authorized distributor for information.

Remarks: The notation '#XXX' is used for existing products, while (new) products launched since 15th July 2001 and RoHS compliant option will use '-XXXE'.

## Package Outline Drawings

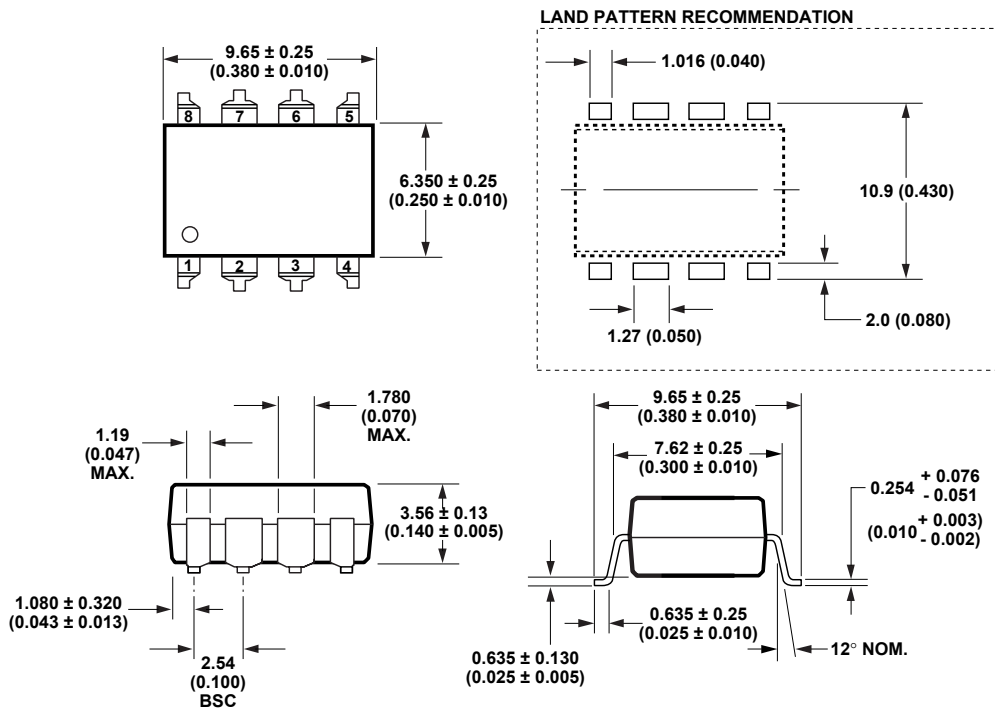
### 8-Pin DIP Package (6N135/6, HCPL-2502)



DIMENSIONS IN MILLIMETERS AND (INCHES).  
 \*MARKING CODE LETTER FOR OPTION NUMBERS  
 "L" = OPTION 020  
 "V" = OPTION 060  
 OPTION NUMBERS 300 AND 500 NOT MARKED.

NOTE: FLOATING LEAD PROTRUSION IS 0.25 mm (10 mils) MAX.

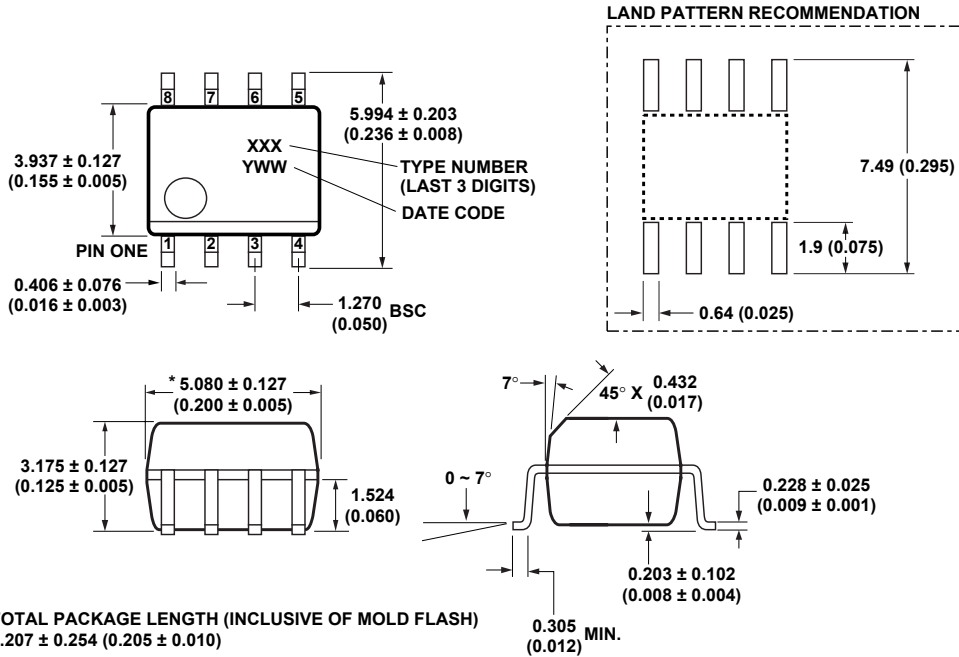
### 8-Pin DIP Package with Gull Wing Surface Mount Option 300 (6N135/6)



DIMENSIONS IN MILLIMETERS (INCHES).  
 LEAD COPLANARITY = 0.10 mm (0.004 INCHES).

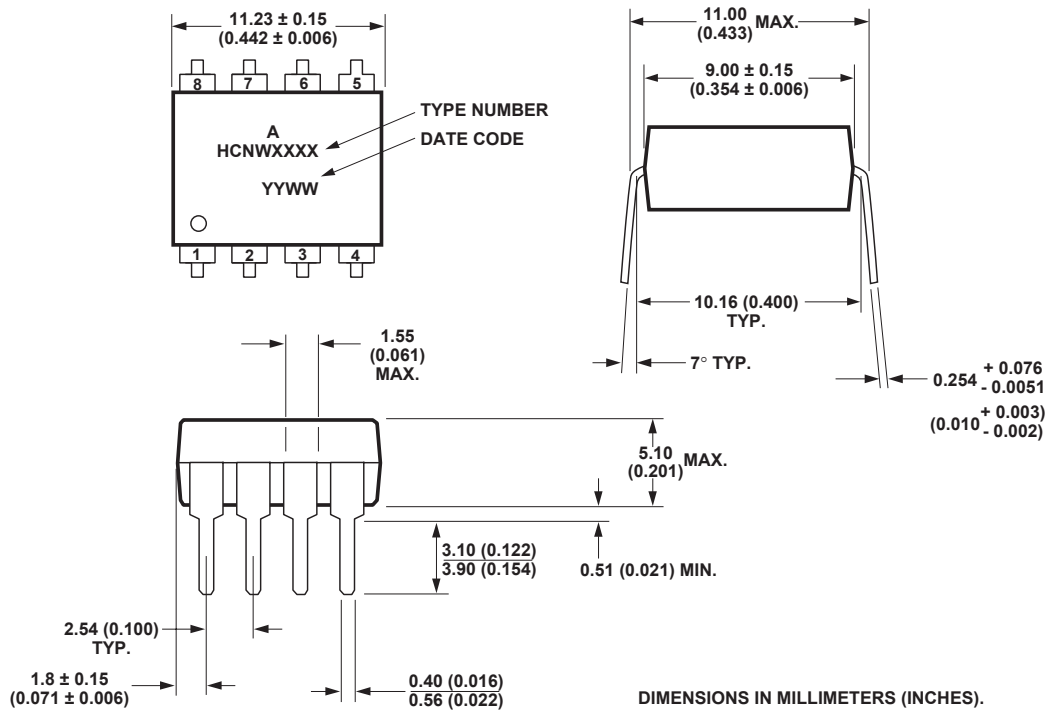
NOTE: FLOATING LEAD PROTRUSION IS 0.25 mm (10 mils) MAX.

### Small Outline SO-8 Package (HCPL-0500/1)



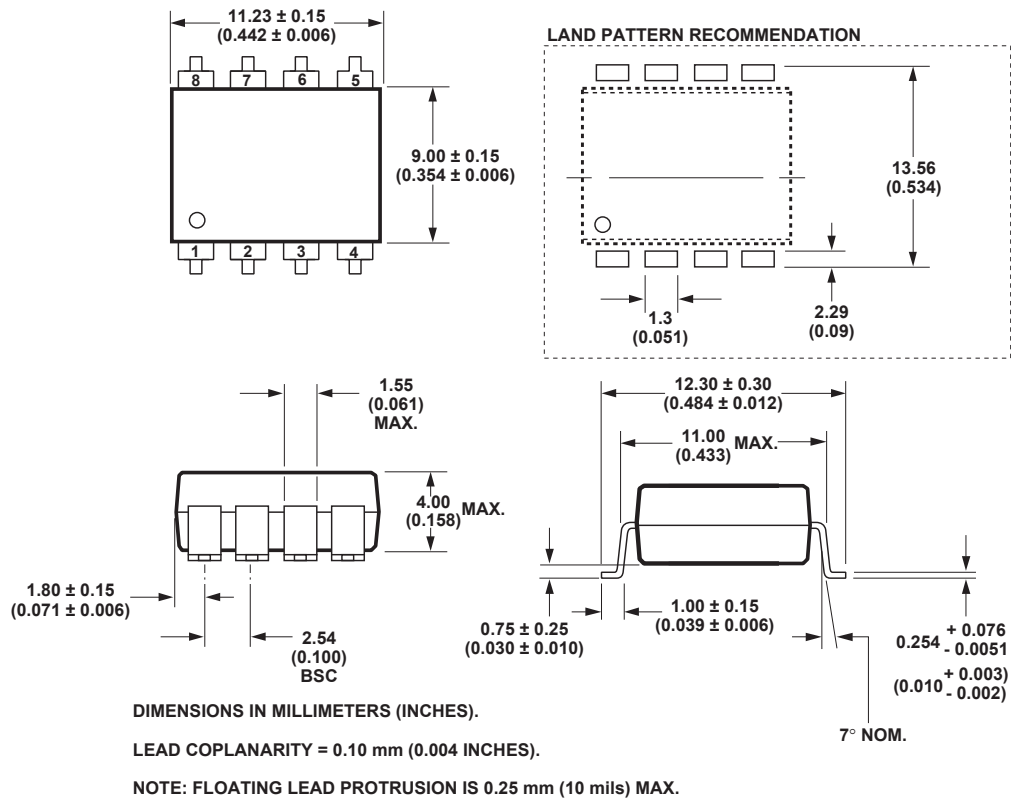
DIMENSIONS IN MILLIMETERS (INCHES).  
LEAD COPLANARITY = 0.10 mm (0.004 INCHES) MAX.

### 8-Pin Widebody DIP Package (HCNW135/6)



DIMENSIONS IN MILLIMETERS (INCHES).  
NOTE: FLOATING LEAD PROTRUSION IS 0.25 mm (10 mils) MAX.

## 8-Pin Widebody DIP Package with Gull Wing Surface Mount Option 300 (HCNW135/6)



### Solder Reflow Profile

Recommended reflow condition as per JEDEC Standard, J-STD-020 (latest revision). Non-Halide Flux should be used.

### Regulatory Information

The devices contained in this data sheet have been approved by the following organizations:

#### UL

Recognized under UL 1577, Component Recognition Program, File E55361.

#### IEC/EN/DIN EN 60747-5-5

(HCNW and Option 060/360/560 only)

#### CSA

Approved under CSA Component Acceptance Notice #5, File CA 88324.

## Insulation and Safety Related Specifications

| Parameter                                         | Symbol | 8-Pin DIP<br>(300 Mil)<br>Value | S0-8<br>Value | Widebody<br>(400 Mil)<br>Value | Units | Conditions                                                                                                                                                 |
|---------------------------------------------------|--------|---------------------------------|---------------|--------------------------------|-------|------------------------------------------------------------------------------------------------------------------------------------------------------------|
| Minimum External Air Gap (External Clearance)     | L(101) | 7.1                             | 4.9           | 9.6                            | mm    | Measured from input terminals to output terminals, shortest distance through air.                                                                          |
| Minimum External Tracking (External Creepage)     | L(102) | 7.4                             | 4.8           | 10.0                           | mm    | Measured from input terminals to output terminals, shortest distance path along body.                                                                      |
| Minimum Internal Plastic Gap (Internal Clearance) |        | 0.08                            | 0.08          | 1.0                            | mm    | Through insulation distance, conductor to conductor, usually the direct distance between the photoemitter and photodetector inside the optocoupler cavity. |
| Minimum Internal Tracking (Internal Creepage)     |        | NA                              | NA            | 4.0                            | mm    | Measured from input terminals to output terminals, along internal cavity.                                                                                  |
| Tracking Resistance (Comparative Tracking Index)  | CTI    | 200                             | 200           | 200                            | Volts | DIN IEC 112/VDE 0303 Part 1                                                                                                                                |
| Isolation Group                                   |        | IIIa                            | IIIa          | IIIa                           |       | Material Group (DIN VDE 0110, 1/89, Table 1)                                                                                                               |

Option 300 - surface mount classification is Class A in accordance with CECC 00802.

### IEC/EN/DIN EN 60747-5-5 Insulation Characteristics (OPTION 060 ONLY)\*

| Description                                                                                                                                     | Symbol          | 8 Pin DIP   | SO-8        | Unit        |
|-------------------------------------------------------------------------------------------------------------------------------------------------|-----------------|-------------|-------------|-------------|
| Installation classification per DIN VDE 0110, Table 1                                                                                           |                 |             |             |             |
| for rated mains voltage $\leq 150 V_{rms}$                                                                                                      |                 | I – IV      | I – IV      |             |
| for rated mains voltage $\leq 300 V_{rms}$                                                                                                      |                 | I – IV      | I – IV      |             |
| for rated mains voltage $\leq 600 V_{rms}$                                                                                                      |                 | I – IV      | I – III     |             |
| Climatic Classification                                                                                                                         |                 | 0/70/21     | 0/70/21     |             |
| Pollution Degree (DIN VDE 0110/39)                                                                                                              |                 | 2           | 2           |             |
| Maximum Working Insulation Voltage                                                                                                              | $V_{IORM}$      | 630         | 567         | $V_{peak}$  |
| Input to Output Test Voltage, Method b*<br>$V_{IORM} \times 1.875 = V_{PR}$ 100% Production Test with $t_m = 1$ sec, Partial discharge $< 5$ pC | $V_{PR}$        | 1181        | 1063        | $V_{peak}$  |
| Input to Output Test Voltage, Method a*<br>$V_{IORM} \times 1.6 = V_{PR}$ Type and Sample Test, $t_m = 10$ sec, Partial discharge $< 5$ pC      | $V_{PR}$        | 1008        | 907         | $V_{peak}$  |
| Highest Allowable Overvoltage* (Transient Overvoltage $t_{mi} = 60$ sec)                                                                        | $V_{IOTM}$      | 8000        | 6000        | $V_{peak}$  |
| Safety-limiting values – maximum values allowed in the event of a failure                                                                       |                 |             |             |             |
| Case Temperature                                                                                                                                | $T_s$           | 175         | 150         | $^{\circ}C$ |
| Input Current                                                                                                                                   | $I_{S, INPUT}$  | 230         | 150         | mA          |
| Output Power                                                                                                                                    | $P_{S, OUTPUT}$ | 600         | 600         | mW          |
| Insulation Resistance at $T_s, V_{i0} = 500$ V                                                                                                  | $R_s$           | $\geq 10^9$ | $\geq 10^9$ | $\Omega$    |

\* Refer to the front of the optocoupler section of the current catalog, under Product Safety Regulations section IEC/EN/DIN EN 60747-5-5, for a detailed description.

Note: Isolation characteristics are guaranteed only within the safety maximum ratings, which must be ensured by protective circuits in application.

### IEC/EN/DIN EN 60747-5-5 Insulation Characteristics (HCNW135/6 OPTION 060 ONLY)\*

| Description                                                                                                                                     | Symbol          | Characteristic | Unit        |
|-------------------------------------------------------------------------------------------------------------------------------------------------|-----------------|----------------|-------------|
| Installation classification per DIN VDE 0110, Table 1                                                                                           |                 |                |             |
| for rated mains voltage $\leq 150 V_{rms}$                                                                                                      |                 | I – IV         |             |
| for rated mains voltage $\leq 300 V_{rms}$                                                                                                      |                 | I – IV         |             |
| for rated mains voltage $\leq 600 V_{rms}$                                                                                                      |                 | I – IV         |             |
| for rated mains voltage $\leq 1000 V_{rms}$                                                                                                     |                 | I – III        |             |
| Climatic Classification                                                                                                                         |                 | 0/70/21        |             |
| Pollution Degree (DIN VDE 0110/39)                                                                                                              |                 | 2              |             |
| Maximum Working Insulation Voltage                                                                                                              | $V_{IORM}$      | 1414           | $V_{peak}$  |
| Input to Output Test Voltage, Method b*<br>$V_{IORM} \times 1.875 = V_{PR}$ 100% Production Test with $t_m = 1$ sec, Partial discharge $< 5$ pC | $V_{PR}$        | 2651           | $V_{peak}$  |
| Input to Output Test Voltage, Method a*<br>$V_{IORM} \times 1.6 = V_{PR}$ Type and Sample Test, $t_m = 10$ sec, Partial discharge $< 5$ pC      | $V_{PR}$        | 2262           | $V_{peak}$  |
| Highest Allowable Overvoltage* (Transient Overvoltage $t_{mi} = 60$ sec)                                                                        | $V_{IOTM}$      | 8000           | $V_{peak}$  |
| Safety-limiting values – maximum values allowed in the event of a failure                                                                       |                 |                |             |
| Case Temperature                                                                                                                                | $T_s$           | 150            | $^{\circ}C$ |
| Input Current                                                                                                                                   | $I_{S, INPUT}$  | 400            | mA          |
| Output Power                                                                                                                                    | $P_{S, OUTPUT}$ | 700            | mW          |
| Insulation Resistance at $T_s, V_{i0} = 500$ V                                                                                                  | $R_s$           | $\geq 10^9$    | $\Omega$    |

\* Refer to the front of the optocoupler section of the current catalog, under Product Safety Regulations section IEC/EN/DIN EN 60747-5-5, for a detailed description.

Note: Isolation characteristics are guaranteed only within the safety maximum ratings, which must be ensured by protective circuits in application.



## Absolute Maximum Ratings

| Parameter                                                                                                                          | Symbol         | Device                 | Min.                                           | Max. | Units | Note |
|------------------------------------------------------------------------------------------------------------------------------------|----------------|------------------------|------------------------------------------------|------|-------|------|
| Storage Temperature*                                                                                                               | $T_S$          |                        | -55                                            | 125  | °C    |      |
| Operating Temperature*                                                                                                             | $T_A$          | 8-Pin DIP<br>SO-8      | -55                                            | 100  | °C    |      |
|                                                                                                                                    |                | Widebody               | -55                                            | 85   |       |      |
| Average Forward Input Current*                                                                                                     | $I_{F(AVG)}$   |                        |                                                | 25   | mA    | 1    |
| Peak Forward Input Current*<br>(50% duty cycle, 1 ms pulse width)                                                                  | $I_{F(PEAK)}$  | 8-Pin DIP<br>SO-8      |                                                | 50   | mA    | 2    |
|                                                                                                                                    |                | Widebody               |                                                | 40   |       |      |
| Peak Transient Input Current*<br>( $\leq 1 \mu s$ pulse width, 300 pps)                                                            | $I_{F(TRANS)}$ | 8-Pin DIP<br>SO-8      |                                                | 1    | A     |      |
|                                                                                                                                    |                | Widebody               |                                                | 0.1  |       |      |
| Reverse LED Input Voltage* (Pin 3-2)                                                                                               | $V_R$          | 8-Pin DIP<br>SO-8      |                                                | 5    | V     |      |
|                                                                                                                                    |                | Widebody               |                                                | 3    |       |      |
| Input Power Dissipation*                                                                                                           | $P_{IN}$       | 8-Pin DIP<br>SO-8      |                                                | 45   | mW    | 3    |
|                                                                                                                                    |                | Widebody               |                                                | 40   |       |      |
| Average Output Current* (Pin 6)                                                                                                    | $I_{O(AVG)}$   |                        |                                                | 8    | mA    |      |
| Peak Output Current*                                                                                                               | $I_{O(PEAK)}$  |                        |                                                | 16   | mA    |      |
| Emitter-Base Reverse Voltage* (Pin 5-7)                                                                                            | $V_{EBR}$      |                        |                                                | 5    | V     |      |
| Supply Voltage (Pin 8-5)                                                                                                           | $V_{CC}$       |                        | -0.5                                           | 30   | V     |      |
| Output Voltage (Pin 6-5)                                                                                                           | $V_O$          |                        | -0.5                                           | 20   | V     |      |
| Supply Voltage* (Pin 8-5)                                                                                                          | $V_{CC}$       |                        | -0.5                                           | 15   | V     |      |
| Output Voltage* (Pin 6-5)                                                                                                          | $V_O$          |                        | -0.5                                           | 15   | V     |      |
| Base Current* (Pin 7)                                                                                                              | $I_B$          |                        |                                                | 5    | mA    |      |
| Output Power Dissipation*                                                                                                          | $P_O$          |                        |                                                | 100  | mW    | 4    |
| Lead Solder Temperature*<br>(Through-Hole Parts Only)<br>1.6 mm below seating plane, 10 seconds<br>up to seating plane, 10 seconds | $T_{LS}$       | 8-Pin DIP              |                                                | 260  | °C    |      |
|                                                                                                                                    |                | Widebody               |                                                | 260  | °C    |      |
| Reflow Temperature Profile                                                                                                         | $T_{RP}$       | SO-8 and<br>Option 300 | See <b>Package Outline Drawings</b><br>section |      |       |      |

\*Data has been registered with JEDEC for the 6N135/6N136.

## Electrical Specifications (DC)

Over recommended temperature ( $T_A = 0^\circ\text{C}$  to  $70^\circ\text{C}$ ) unless otherwise specified. See note 13.

| Parameter                                  | Symbol                          | Device                                     | Min. | Typ.** | Max.          | Units                                                                                                | Test Conditions                                                                  | Fig.                    | Note  |
|--------------------------------------------|---------------------------------|--------------------------------------------|------|--------|---------------|------------------------------------------------------------------------------------------------------|----------------------------------------------------------------------------------|-------------------------|-------|
| Current Transfer Ratio                     | CTR*                            | 6N135                                      | 7    | 18     | 50            | %                                                                                                    | $T_A = 25^\circ\text{C}$<br>$V_O = 0.4\text{ V}$<br>$I_F = 16\text{ mA}$         | 1, 2, 4                 | 5, 11 |
|                                            |                                 | HCPL-0500<br>HCNW135                       | 5    | 19     |               |                                                                                                      | $V_O = 0.5\text{ V}$<br>$V_{CC} = 4.5\text{ V}$                                  |                         |       |
|                                            |                                 | HCPL-2502                                  | 15   |        | 22            |                                                                                                      | $T_A = 25^\circ\text{C}$<br>$V_O = 0.4\text{ V}$                                 |                         |       |
|                                            |                                 |                                            | 15   | 25     |               |                                                                                                      | $V_O = 0.5\text{ V}$                                                             |                         |       |
| Logic Low Output Voltage                   | $V_{OL}$                        | 6N135                                      |      | 0.1    | 0.4           | V                                                                                                    | $T_A = 25^\circ\text{C}$<br>$I_O = 1.1\text{ mA}$<br>$I_F = 16\text{ mA}$        | $V_{CC} = 4.5\text{ V}$ |       |
|                                            |                                 | HCPL-0500<br>HCNW135                       |      | 0.1    | 0.5           |                                                                                                      | $I_O = 0.8\text{ mA}$                                                            |                         |       |
|                                            |                                 | 6N136<br>HCPL-2502<br>HCPL-0501<br>HCNW136 |      | 0.1    | 0.4           |                                                                                                      | $T_A = 25^\circ\text{C}$<br>$I_O = 3.0\text{ mA}$                                |                         |       |
|                                            |                                 |                                            |      | 0.1    | 0.5           |                                                                                                      | $I_O = 2.4\text{ mA}$                                                            |                         |       |
| Logic High Output Current                  | $I_{OH}^*$                      |                                            |      | 0.003  | 0.5           | $\mu\text{A}$                                                                                        | $T_A = 25^\circ\text{C}$<br>$V_O = V_{CC} = 5.5\text{ V}$<br>$I_F = 0\text{ mA}$ | 7                       |       |
|                                            |                                 |                                            |      | 0.01   | 1             |                                                                                                      | $T_A = 25^\circ\text{C}$<br>$V_O = V_{CC} = 15\text{ V}$                         |                         |       |
|                                            |                                 |                                            |      |        | 50            |                                                                                                      | $V_O = V_{CC} = 15\text{ V}$                                                     |                         |       |
| Logic Low Supply Current                   | $I_{CCL}$                       |                                            | 50   | 200    | $\mu\text{A}$ | $I_F = 16\text{ mA}$ , $V_O = \text{Open}$ ,<br>$V_{CC} = 15\text{ V}$                               | 13                                                                               |                         |       |
| Logic High Supply Current                  | $I_{CCH}^*$                     |                                            | 0.02 | 1      | $\mu\text{A}$ | $T_A = 25^\circ\text{C}$<br>$I_F = 0\text{ mA}$ ,<br>$V_O = \text{Open}$ ,<br>$V_{CC} = 15\text{ V}$ | 13                                                                               |                         |       |
|                                            |                                 |                                            |      | 2      |               |                                                                                                      |                                                                                  |                         |       |
| Input Forward Voltage                      | $V_F^*$                         | 8-Pin DIP                                  |      | 1.5    | 1.7           | V                                                                                                    | $T_A = 25^\circ\text{C}$<br>$I_F = 16\text{ mA}$                                 | 3                       |       |
|                                            |                                 | SO-8                                       |      |        | 1.8           |                                                                                                      |                                                                                  |                         |       |
|                                            |                                 | Widebody                                   | 1.45 | 1.68   | 1.85          |                                                                                                      | $T_A = 25^\circ\text{C}$<br>$I_F = 16\text{ mA}$                                 |                         |       |
|                                            |                                 |                                            | 1.35 |        | 1.95          |                                                                                                      |                                                                                  |                         |       |
| Input Reverse Breakdown Voltage            | $BV_R^*$                        | 8-Pin DIP                                  | 5    |        |               | V                                                                                                    | $I_R = 10\text{ }\mu\text{A}$                                                    |                         |       |
|                                            |                                 | SO-8                                       |      |        |               |                                                                                                      |                                                                                  |                         |       |
|                                            |                                 | Widebody                                   | 3    |        |               |                                                                                                      | $I_R = 100\text{ }\mu\text{A}$                                                   |                         |       |
| Temperature Coefficient of Forward Voltage | $\frac{\Delta V_F}{\Delta T_A}$ | 8-Pin DIP                                  |      | -1.6   |               | $\text{mV}/^\circ\text{C}$                                                                           | $I_F = 16\text{ mA}$                                                             |                         |       |
|                                            |                                 | SO-8                                       |      |        |               |                                                                                                      |                                                                                  |                         |       |
|                                            |                                 | Widebody                                   |      | -1.9   |               |                                                                                                      |                                                                                  |                         |       |
| Input Capacitance                          | $C_{IN}$                        | 8-Pin DIP                                  |      | 60     |               | pF                                                                                                   | $f = 1\text{ MHz}$ , $V_F = 0\text{ V}$                                          |                         |       |
|                                            |                                 | SO-8                                       |      |        |               |                                                                                                      |                                                                                  |                         |       |
|                                            |                                 | Widebody                                   |      | 90     |               |                                                                                                      |                                                                                  |                         |       |
| Transistor DC Current Gain                 | $h_{FE}$                        | 8-Pin DIP                                  |      | 150    |               |                                                                                                      | $V_O = 5\text{ V}$ , $I_O = 3\text{ mA}$                                         |                         |       |
|                                            |                                 | SO-8                                       |      | 130    |               |                                                                                                      | $V_O = 0.4\text{ V}$ , $I_B = 20\text{ }\mu\text{A}$                             |                         |       |
|                                            |                                 | Widebody                                   |      | 180    |               |                                                                                                      | $V_O = 0.4\text{ V}$ , $I_B = 20\text{ }\mu\text{A}$                             |                         |       |
|                                            |                                 |                                            |      | 160    |               |                                                                                                      | $V_O = 5\text{ V}$ , $I_O = 3\text{ mA}$                                         |                         |       |

\*For JEDEC registered parts.

\*\*All typicals at  $T_A = 25^\circ\text{C}$ .

## Switching Specifications (AC)

Over recommended temperature ( $T_A = 0^\circ\text{C}$  to  $70^\circ\text{C}$ ),  $V_{CC} = 5\text{ V}$ ,  $I_F = 16\text{ mA}$  unless otherwise specified.

| Parameter                                                 | Sym.               | Device      | Min. | Typ.** | Max. | Units                   | Test Conditions                                                                                                                                | Fig.     | Note    |  |
|-----------------------------------------------------------|--------------------|-------------|------|--------|------|-------------------------|------------------------------------------------------------------------------------------------------------------------------------------------|----------|---------|--|
| Propagation Delay Time to Logic Low at Output             | $t_{\text{PHL}}$ * | 6N135       |      | 0.2    | 1.5  | $\mu\text{s}$           | $T_A = 25^\circ\text{C}$<br>$R_L = 4.1\text{ k}\Omega$                                                                                         | 5, 6, 11 | 8, 9    |  |
|                                                           |                    | HCPL-0500   |      |        | 2.0  |                         |                                                                                                                                                |          |         |  |
|                                                           |                    | HCNW135     |      |        |      |                         |                                                                                                                                                |          |         |  |
|                                                           |                    | 6N136       |      | 0.2    | 0.8  | $\mu\text{s}$           | $T_A = 25^\circ\text{C}$<br>$R_L = 1.9\text{ k}\Omega$                                                                                         | 5, 6, 11 | 8, 9    |  |
|                                                           |                    | HCPL-2502   |      |        |      |                         |                                                                                                                                                |          |         |  |
|                                                           |                    | HCPL-0501   |      |        |      |                         |                                                                                                                                                |          |         |  |
| HCNW136                                                   |                    |             | 1.0  |        |      |                         |                                                                                                                                                |          |         |  |
| Propagation Delay Time to Logic High at Output            | $t_{\text{PLH}}$ * | 6N135       |      | 1.3    | 1.5  | $\mu\text{s}$           | $T_A = 25^\circ\text{C}$<br>$R_L = 4.1\text{ k}\Omega$                                                                                         | 5, 6, 11 | 8, 9    |  |
|                                                           |                    | HCPL-0500   |      |        | 2.0  |                         |                                                                                                                                                |          |         |  |
|                                                           |                    | HCNW135     |      |        |      |                         |                                                                                                                                                |          |         |  |
|                                                           |                    | 6N136       |      | 0.6    | 0.8  | $\mu\text{s}$           | $T_A = 25^\circ\text{C}$<br>$R_L = 1.9\text{ k}\Omega$                                                                                         | 5, 6, 11 | 8, 9    |  |
|                                                           |                    | HCPL-2502   |      |        |      |                         |                                                                                                                                                |          |         |  |
|                                                           |                    | HCPL-0501   |      |        |      |                         |                                                                                                                                                |          |         |  |
| HCNW136                                                   |                    |             | 1.0  |        |      |                         |                                                                                                                                                |          |         |  |
| Common Mode Transient Immunity at Logic High Level Output | $ CM_H $           | 6N135       | 1    |        |      | $\text{kV}/\mu\text{s}$ | $R_L = 4.1\text{ k}\Omega$<br>$I_F = 0\text{ mA}$ , $T_A = 25^\circ\text{C}$ ,<br>$V_{CM} = 10\text{ V}_{\text{p-p}}$<br>$C_L = 15\text{ pF}$  | 12       | 7, 8, 9 |  |
|                                                           |                    | HCPL-0500   |      | 1      |      |                         |                                                                                                                                                |          |         |  |
|                                                           |                    | HCNW135     |      |        |      |                         |                                                                                                                                                |          |         |  |
|                                                           |                    | 6N136       | 1    |        |      | $\text{kV}/\mu\text{s}$ | $R_L = 1.9\text{ k}\Omega$                                                                                                                     | 12       | 7, 8, 9 |  |
|                                                           |                    | HCPL-2502   |      | 1      |      |                         |                                                                                                                                                |          |         |  |
| HCPL-0501                                                 |                    |             |      |        |      |                         |                                                                                                                                                |          |         |  |
| Common Mode Transient Immunity at Logic Low Level Output  | $ CM_L $           | 6N135       | 1    |        |      | $\text{kV}/\mu\text{s}$ | $R_L = 4.1\text{ k}\Omega$<br>$I_F = 16\text{ mA}$ , $T_A = 25^\circ\text{C}$ ,<br>$V_{CM} = 10\text{ V}_{\text{p-p}}$<br>$C_L = 15\text{ pF}$ | 12       | 7, 8, 9 |  |
|                                                           |                    | HCPL-0500   |      | 1      |      |                         |                                                                                                                                                |          |         |  |
|                                                           |                    | HCNW135     |      |        |      |                         |                                                                                                                                                |          |         |  |
|                                                           |                    | 6N136       | 1    |        |      | $\text{kV}/\mu\text{s}$ | $R_L = 1.9\text{ k}\Omega$                                                                                                                     | 12       | 7, 8, 9 |  |
|                                                           |                    | HCPL-2502   |      | 1      |      |                         |                                                                                                                                                |          |         |  |
| HCPL-0501                                                 |                    |             |      |        |      |                         |                                                                                                                                                |          |         |  |
| Bandwidth                                                 | BW                 | 6N135/6     |      | 9      |      | MHz                     | See Test Circuit                                                                                                                               | 8, 10    | 10      |  |
|                                                           |                    | HCPL-2502   |      |        |      |                         |                                                                                                                                                |          |         |  |
|                                                           |                    | HCPL-0500/1 |      |        |      |                         |                                                                                                                                                |          |         |  |
|                                                           |                    | HCNW135/6   |      |        | 11   |                         |                                                                                                                                                |          |         |  |

\*For JEDEC registered parts.

\*\*All typicals at  $T_A = 25^\circ\text{C}$ .

## Package Characteristics

Over recommended temperature ( $T_A = 0^\circ\text{C}$  to  $70^\circ\text{C}$ ) unless otherwise specified.

| Parameter                                  | Sym.                   | Device    | Min.      | Typ.*     | Max. | Units                    | Test Conditions                                                              | Fig.      | Note |
|--------------------------------------------|------------------------|-----------|-----------|-----------|------|--------------------------|------------------------------------------------------------------------------|-----------|------|
| Input-Output Momentary Withstand Voltage** | $V_{ISO}$              | 8-Pin DIP | 3750      |           |      | V rms                    | RH < 50%,<br>t = 1 min.,<br>$T_A = 25^\circ\text{C}$                         | 6, 14     |      |
|                                            |                        | SO-8      |           |           |      |                          |                                                                              |           |      |
|                                            | Widebody               | 5000      |           |           |      |                          |                                                                              | 6, 15     |      |
|                                            | 8-Pin DIP (Option 020) | 5000      |           |           |      |                          |                                                                              | 6, 12, 15 |      |
|                                            | $I_{I-O}$              | 8-Pin DIP |           |           | 1    | $\mu\text{A}$            | 45% RH, t = 5 s,<br>$V_{I-O} = 3 \text{ kVdc}$ ,<br>$T_A = 25^\circ\text{C}$ | 6, 16     |      |
| Input-Output Resistance                    | $R_{I-O}$              | 8-Pin DIP |           | $10^{12}$ |      | $\Omega$                 | $V_{I-O} = 500 \text{ Vdc}$                                                  | 6         |      |
|                                            |                        | SO-8      |           |           |      |                          |                                                                              |           |      |
|                                            | Widebody               | $10^{12}$ | $10^{13}$ |           |      | $T_A = 25^\circ\text{C}$ |                                                                              |           |      |
|                                            |                        |           | $10^{11}$ |           |      |                          | $T_A = 100^\circ\text{C}$                                                    |           |      |
| Input-Output Capacitance                   | $C_{I-O}$              | 8-Pin DIP |           | 0.6       |      | pF                       | f = 1 MHz                                                                    | 6         |      |
|                                            |                        | SO-8      |           |           |      |                          |                                                                              |           |      |
|                                            |                        | Widebody  |           | 0.5       | 0.6  |                          |                                                                              |           |      |

\*All typicals at  $T_A = 25^\circ\text{C}$ .

\*\*The Input-Output Momentary Withstand Voltage is a dielectric voltage rating that should not be interpreted as an input-output continuous voltage rating. For the continuous voltage rating refer to the IEC/EN/DIN EN 60747-5-5 Insulation Related Characteristics Table (if applicable), your equipment level safety specification or Avago Application Note 1074 entitled "Optocoupler Input-Output Endurance Voltage," publication number 5963-2203E.

### Notes:

- Derate linearly above  $70^\circ\text{C}$  free-air temperature at a rate of  $0.8 \text{ mA}/^\circ\text{C}$  (8-Pin DIP).  
Derate linearly above  $85^\circ\text{C}$  free-air temperature at a rate of  $0.5 \text{ mA}/^\circ\text{C}$  (SO-8).
- Derate linearly above  $70^\circ\text{C}$  free-air temperature at a rate of  $1.6 \text{ mA}/^\circ\text{C}$  (8-Pin DIP).  
Derate linearly above  $85^\circ\text{C}$  free-air temperature at a rate of  $1.0 \text{ mA}/^\circ\text{C}$  (SO-8).
- Derate linearly above  $70^\circ\text{C}$  free-air temperature at a rate of  $0.9 \text{ mW}/^\circ\text{C}$  (8-Pin DIP).  
Derate linearly above  $85^\circ\text{C}$  free-air temperature at a rate of  $1.1 \text{ mW}/^\circ\text{C}$  (SO-8).
- Derate linearly above  $70^\circ\text{C}$  free-air temperature at a rate of  $2.0 \text{ mW}/^\circ\text{C}$  (8-Pin DIP).  
Derate linearly above  $85^\circ\text{C}$  free-air temperature at a rate of  $2.3 \text{ mW}/^\circ\text{C}$  (SO-8).
- CURRENT TRANSFER RATIO in percent is defined as the ratio of output collector current,  $I_C$ , to the forward LED input current,  $I_F$ , times 100.
- Device considered a two-terminal device: Pins 1, 2, 3, and 4 shorted together and Pins 5, 6, 7, and 8 shorted together.
- Common mode transient immunity in a Logic High level is the maximum tolerable (positive)  $dV_{CM}/dt$  on the leading edge of the common mode pulse signal,  $V_{CM}$ , to assure that the output will remain in a Logic High state (i.e.,  $V_O > 2.0 \text{ V}$ ). Common mode transient immunity in a Logic Low level is the maximum tolerable (negative)  $dV_{CM}/dt$  on the trailing edge of the common mode pulse signal,  $V_{CM}$ , to assure that the output will remain in a Logic Low state (i.e.,  $V_O < 0.8 \text{ V}$ ).
- The  $1.9 \text{ k}\Omega$  load represents 1 TTL unit load of  $1.6 \text{ mA}$  and the  $5.6 \text{ k}\Omega$  pull-up resistor.
- The  $4.1 \text{ k}\Omega$  load represents 1 LSTTL unit load of  $0.36 \text{ mA}$  and  $6.1 \text{ k}\Omega$  pull-up resistor.
- The frequency at which the ac output voltage is 3 dB below its mid-frequency value.
- The JEDEC registration for the 6N136 specifies a minimum CTR of 15%. Avago guarantees a minimum CTR of 19%.
- See Option 020 data sheet for more information.
- Use of a  $0.1 \mu\text{F}$  bypass capacitor connected between pins 5 and 8 is recommended.
- In accordance with UL 1577, each optocoupler is proof tested by applying an insulation test voltage  $\geq 4500 \text{ V rms}$  for 1 second (leakage detection current limit,  $I_{I-O} \leq 5 \mu\text{A}$ ). This test is performed before the 100% Production test shown in the IEC/EN/DIN EN 60747-5-5 Insulation Related Characteristics Table if applicable.
- In accordance with UL 1577, each optocoupler is proof tested by applying an insulation test voltage  $\geq 6000 \text{ V rms}$  for 1 second (leakage detection current limit,  $I_{I-O} \leq 5 \mu\text{A}$ ). This test is performed before the 100% Production test shown in the IEC/EN/DIN EN 60747-5-5 Insulation Related Characteristics Table if applicable.
- This rating is equally validated by an equivalent ac proof test.

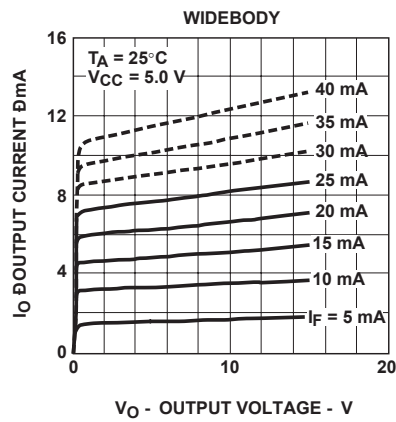
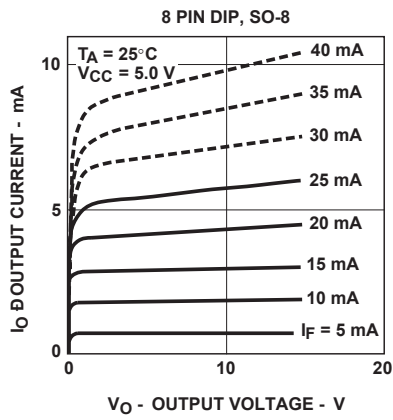


Figure 1. DC and pulsed transfer characteristics.

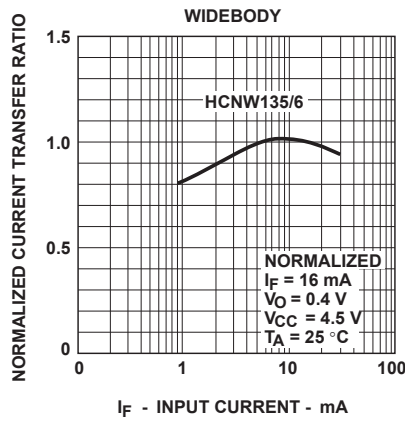
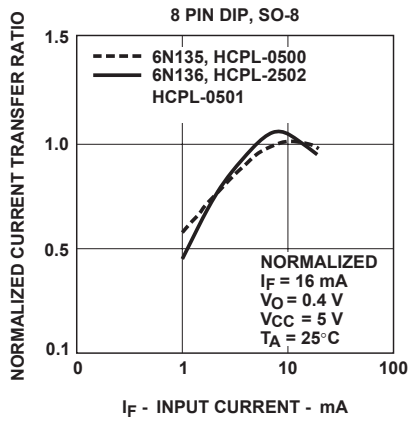


Figure 2. Current transfer ratio vs. input current.

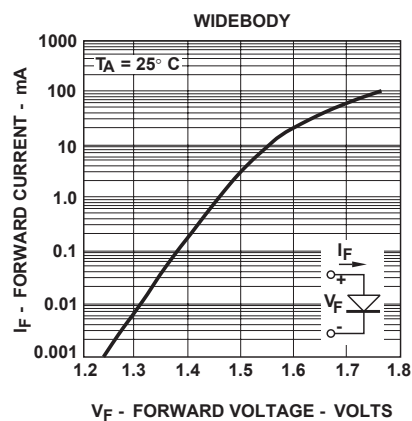
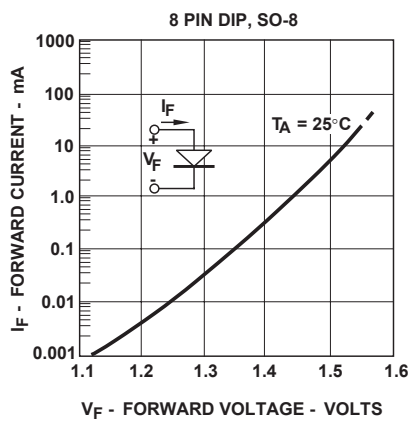


Figure 3. Input current vs. forward voltage.

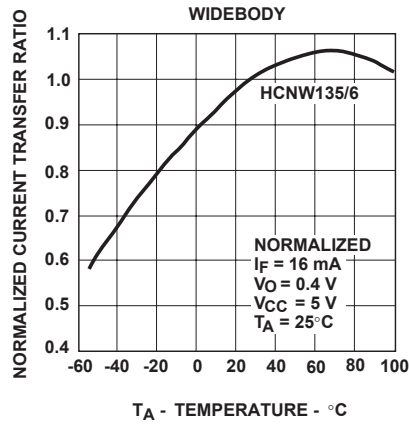
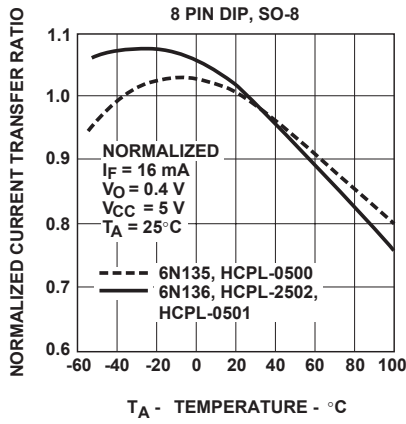


Figure 4. Current transfer ratio vs. temperature.

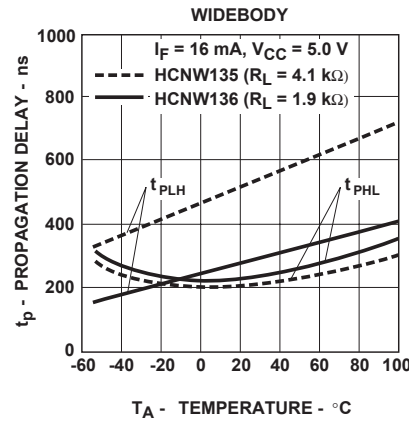
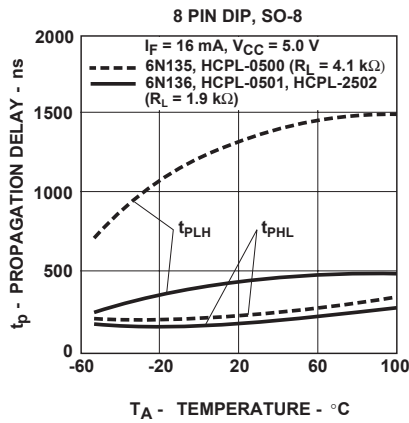


Figure 5. Propagation delay vs. temperature.

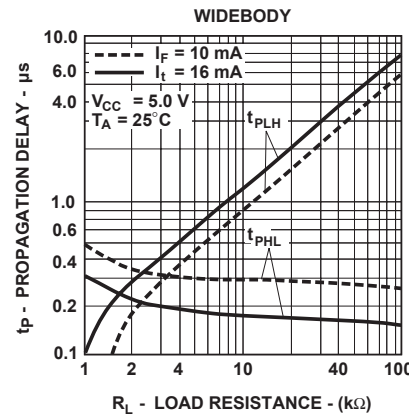
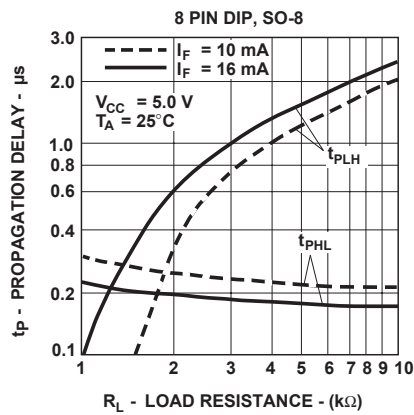


Figure 6. Propagation delay time vs. load resistance.

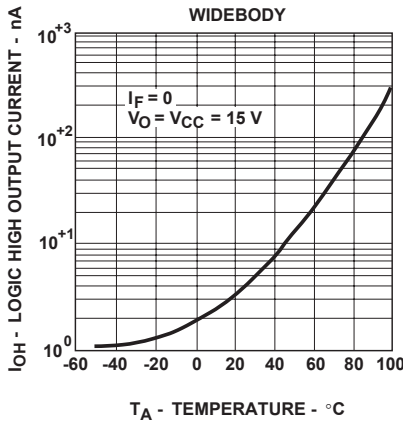
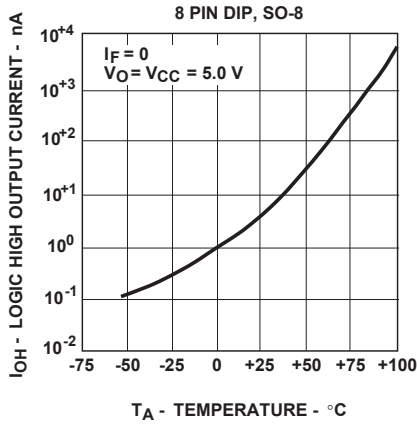


Figure 7. Logic high output current vs. temperature.

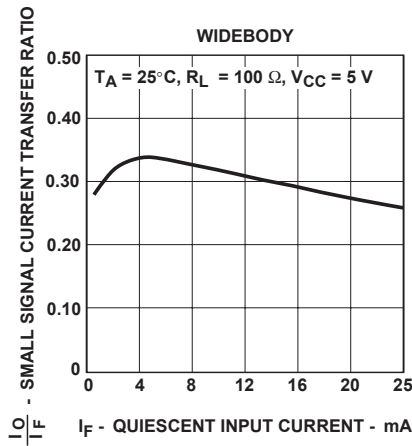
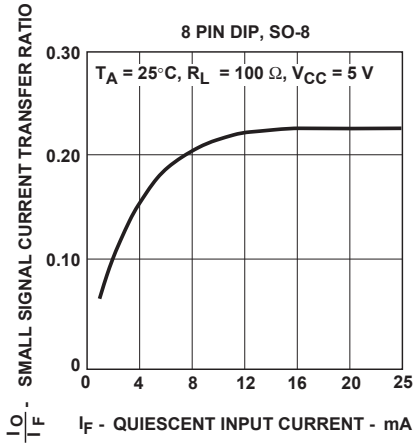


Figure 8. Small-signal current transfer ratio vs. quiescent input current.

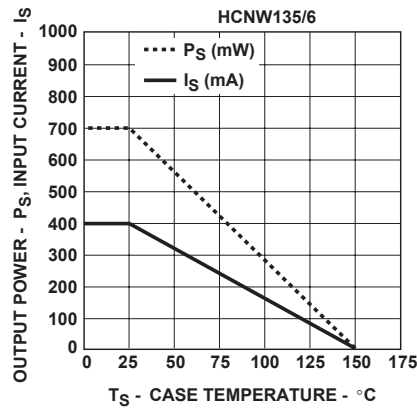
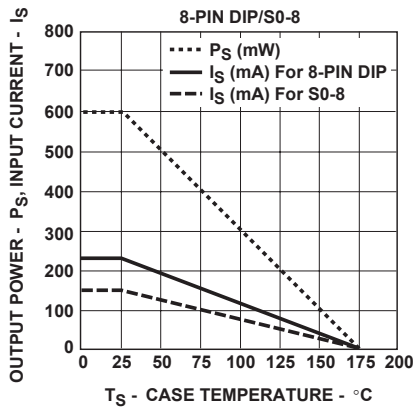


Figure 9. Thermal derating curve, dependence of safety limiting value with case temperature per IEC/EN/DIN EN 60747-5-5.

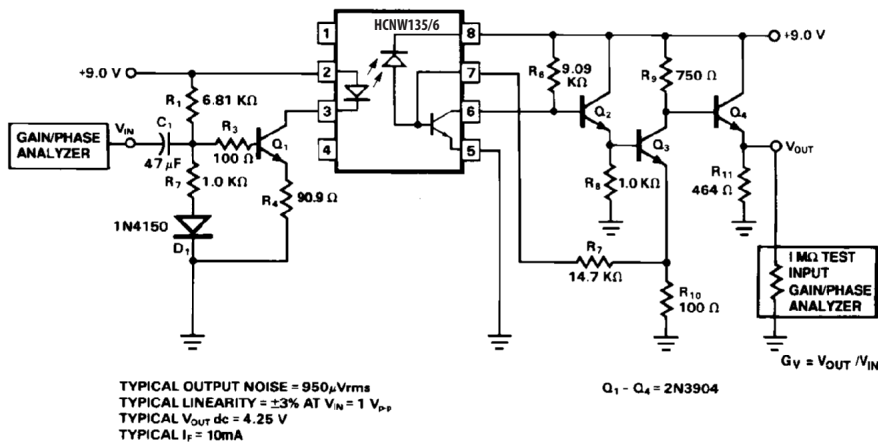
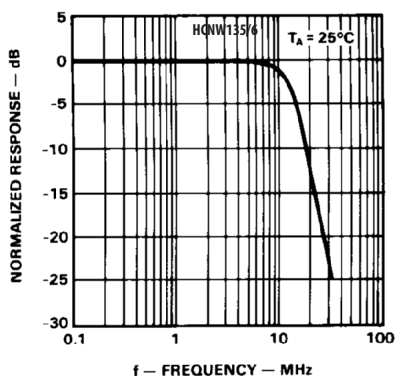
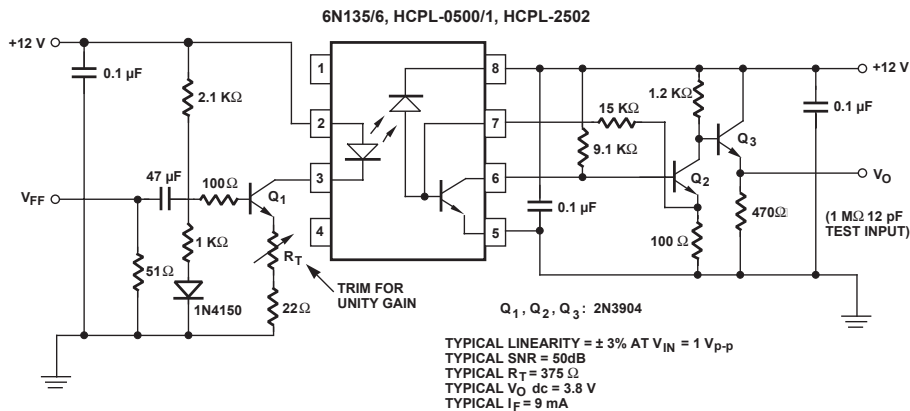
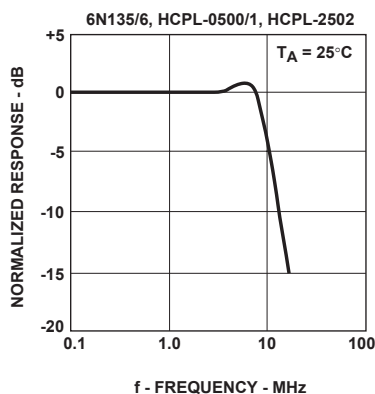


Figure 10. Frequency response

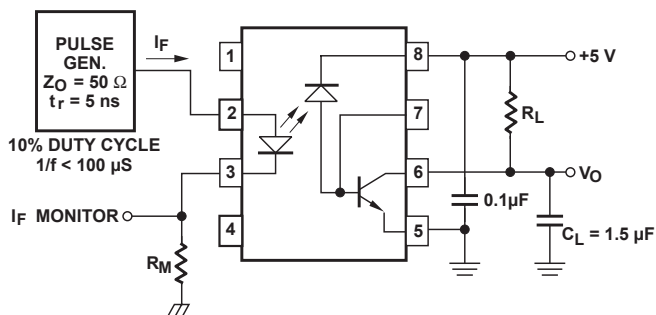
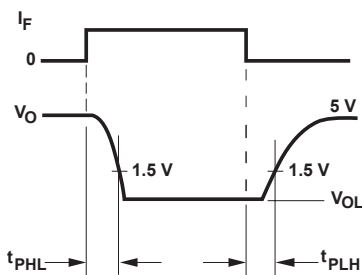


Figure 11. Switching test circuit

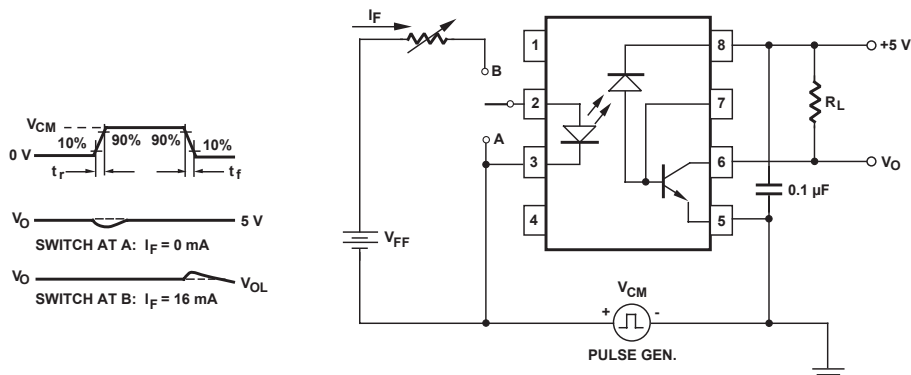


Figure 12. Test circuit for transient immunity and typical waveforms

For product information and a complete list of distributors, please go to our website: [www.avagotech.com](http://www.avagotech.com)