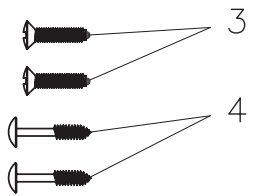
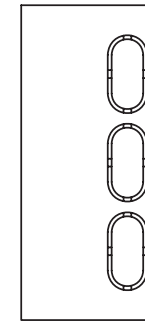
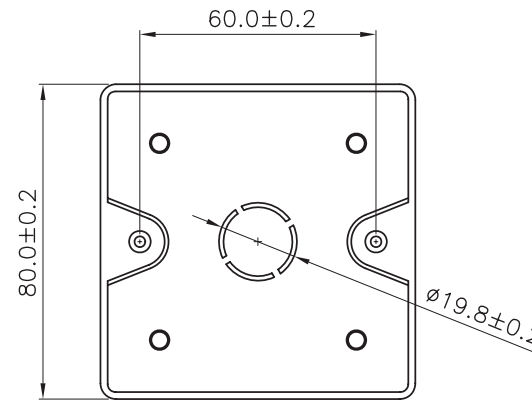
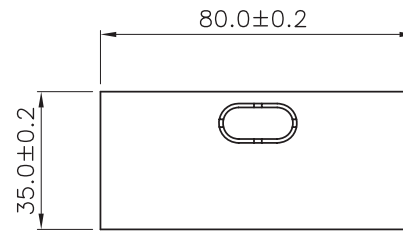


SCALE 1/2



SCALE 1/2



Specification :

Material :

- 1. Housing : ABS, UL94 HB.
- 2. Screw nut : $\phi 5.5 \times 6.5$ mm.
- 3. Screw : M3.5X15.0X7.0mm.
- 4. Screw : M3.5X19.0X7.5mm.

GENERAL
TOLERANCE
OF DIMENSIONS
X.XXX ± 0.005
X.XX ± 0.05
X.X ± 0.1

