

SPECIFICATION:

Current rating: 2,5 A
 Voltage rating: 250 V
 Contact resistance: 10 mΩ max.
 Dielectric voltage: 1000 V AC
 Wire range: AWG22-30
 Insulation outer diameter: 1.6 mm max.
 Operation temperature: -25 °C to +85 °C

MATERIAL:

Contact: Brass

FINISH:

Contact: Tin plated

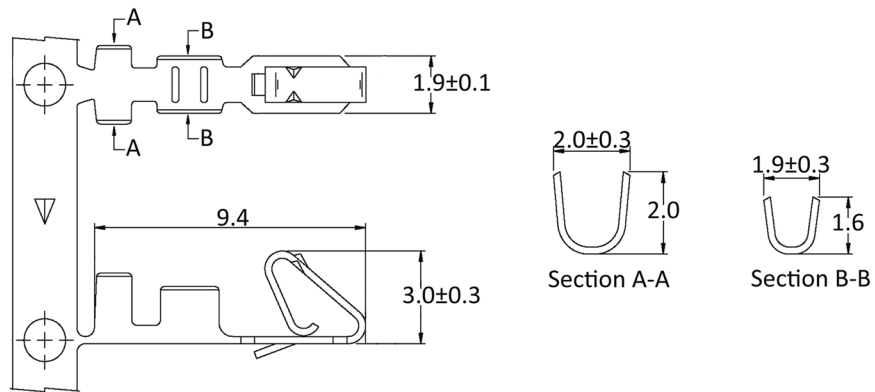
HANDLING:

Packing: Reel with 10K, otherwise separately cut

TOLERANCE:

.X ± 0.25
 .XX ± 0.13

RoHS
COMPLIANT



Order-Information

Identifier:

CRB

Terminal for CV-Series

Packing unit:

#

empty: separately, cut
 /10K: Reel with 10.000 pcs.