

**SPECIFICATION:**

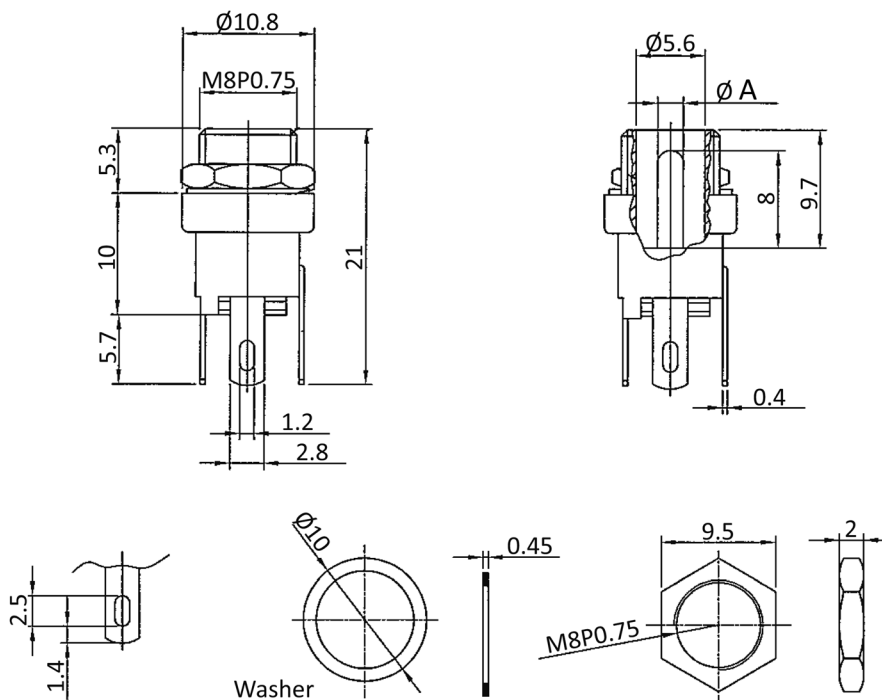
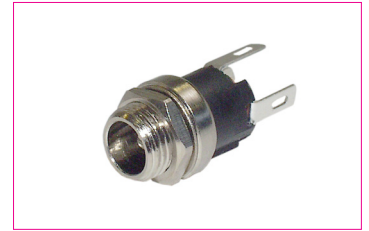
Current rating: 5 A DC  
Voltage rating: 12 V DC  
Insulation resistance: 1000 MΩ min.  
Contact resistance: 50 mΩ max.  
Dielectric voltage: 500 V AC  
Insertion Force: 1.2 kg max.  
Extraction Force: 0.3 kg min.  
Operating life: 10000 Mating cycles

**MATERIAL:**

Housing: Nylon 66  
Barrel: Brass  
Terminal: Phosphorbronze

**FINISH:**

Barrel: Silver plated  
Terminal: Silver plated



**Order-Information**

Identifier:	Diameter Pin (A):
DCE5	#
DC Socket vertical with solder lugs	AL: Diameter 2.1 mm BL: Diameter 2.5 mm