

# USB 2.0 Sockets Type A

PCB, vertical



RoHS  
COMPLIANT

### SPECIFICATION:

Current rating: 1.5 A  
Voltage rating: 250 V  
Insulation resistance: 1000 M $\Omega$  min.  
Contact resistance: 50 m $\Omega$  max.  
Dielectric voltage: 500 V AC  
Operation temperature: -55 °C to +60 °C

### MECHANICAL:

Mating force:  $\leq 35$  N  
Unmating force:  $\geq 10$  N

### MATERIAL:

Insulator: PBT white UL94V-0  
Shell: Brass  
Contacts: Phosphorbronze

### FINISH:

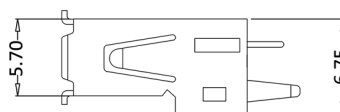
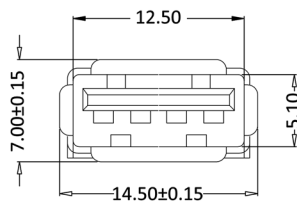
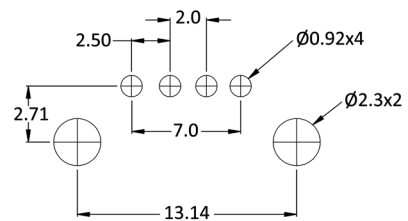
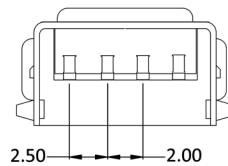
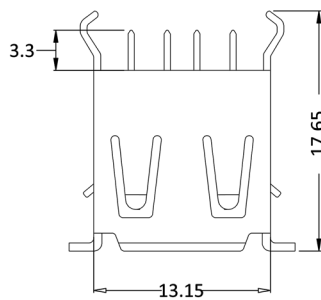
Shell: Tin plated  
Contacts: Gold Flash in contact area  
Tin plated on solder tails

### HANDLING:

Processing: Wave soldering  
Packing: Tray

### TOLERANCE:

.X  $\pm 0.20$   
.XX  $\pm 0.10$



### Order-Information

Identifier:

UBU1AH

Socket Type A vertical