

## USB Connectors USB 2.0 Sockets Type A

PCB, angled, Type 2



### SPECIFICATION:

Operating Voltage (Max.):	30 V
Operating Current (Nom.):	1.5 A
Operating Temperature:	-25°C to 105°C
Insulation Resistance (Min.):	1000 MΩ
Contact Resistance (Max.):	30 mΩ
Dielectric Strength:	750 Vac
Insertion Force (Max.):	35 N
Extraction Force:	10 N



### MATERIAL:

Material (Terminal):	brass, tin plated
Material (Housing):	metal, nickel plated
Flammability Class:	UL 94 V-0
Material (Insulation):	PBT
Material (Contact Area):	brass, gold plated

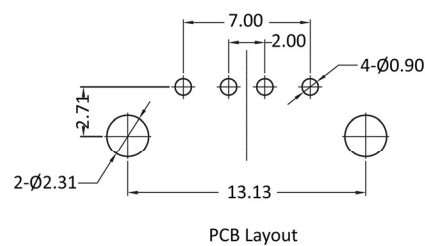
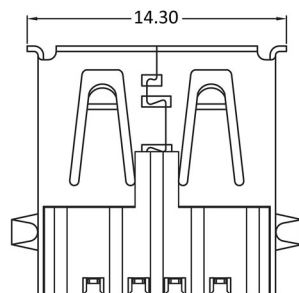
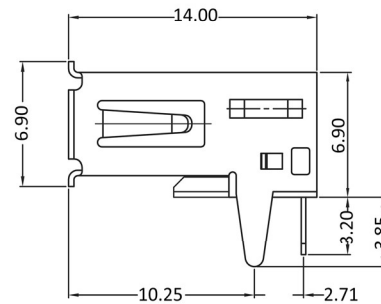
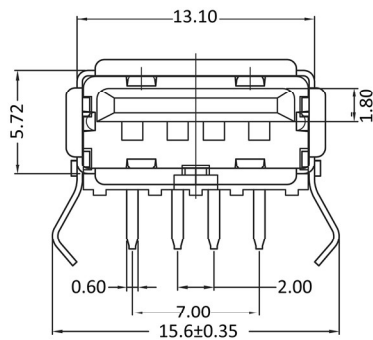
### HANDLING:

Packaging:	tray
------------	------

### TOLERANCE:

.X:	± 0.25
.XX:	± 0.20

**NEU!**



### Order Information

Identifier:

USBBU1A

Socket type A angled