

USB 2.0 Sockets Type A

PCB, angled



RoHS
COMPLIANT

SPECIFICATION:

Current rating: 1.5 A
Voltage rating: 30 V
Insulation resistance: 1000 MΩ min.
Contact resistance: 30 mΩ max.
Dielectric voltage: 500 V AC
Operation temperature: -25 °C to +80 °C

MECHANICAL:

Mating force: ≤ 35 N
Unmating force: ≥ 10 N

MATERIAL:

Insulator: PBT white UL94V-0
Shell: Metal
Contacts: Brass

FINISH:

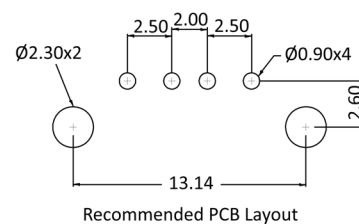
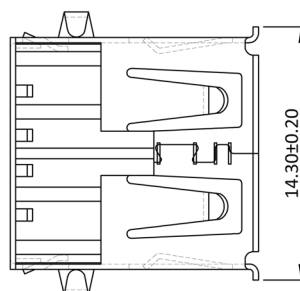
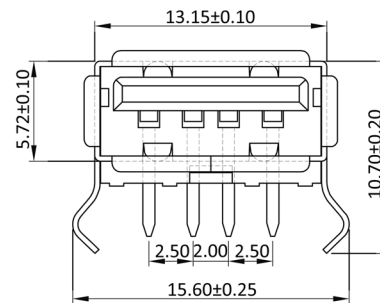
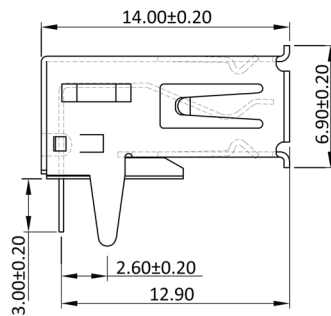
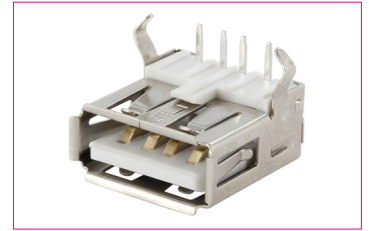
Shell: Nickel plated
Contacts: Gold Flash in contact area
Tin plated on solder tails

HANDLING:

Processing: Wave soldering
Packing: Tray

TOLERANCE:

.X ± 0.30
.XX ± 0.25



Order-Information

Identifier:

USB/BU1A

Socket Type A angled