

SPECIFICATION:

Current rating: 1 A
 Insulation resistance: 1000 MΩ min.
 Contact resistance: 15 mΩ max.
 Dielectric voltage: 500 V AC
 Operation temperature: -25 °C to +85 °C

**RoHS
COMPLIANT**

MATERIAL:

Insulator: PBT black UL94V-0
 Shell: Steel
 Pins: Brass

FINISH:

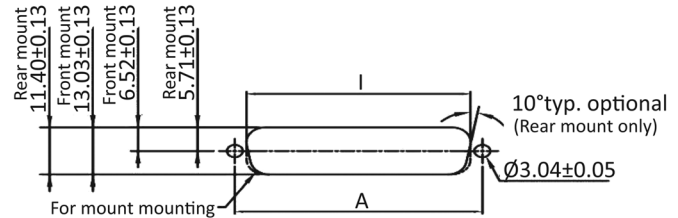
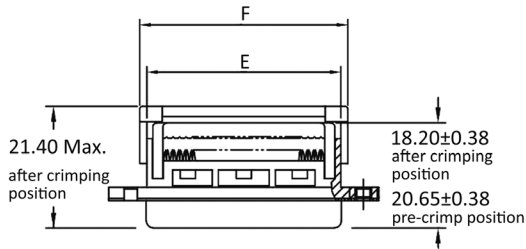
Contacts: Gold plated
 Shell: Nickel or tin plated

HANDLING:

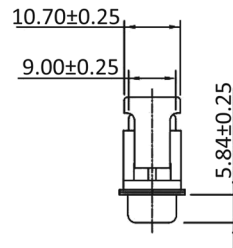
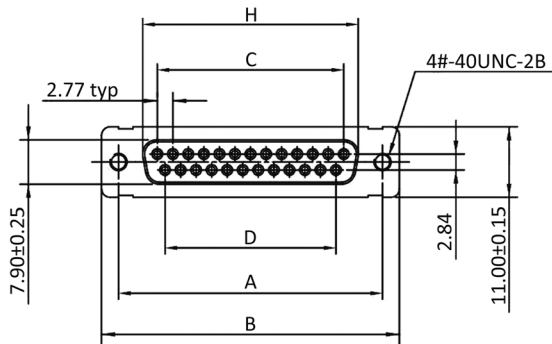
Processing: IDC
 Packing: Tray

TOLERANCE:

.X ± 0.38
 .XX ± 0.25



Recommended panel cutout dimensions



Dimensions

| No. of contacts: | A: | B: | C: | D: | E: | F: | H: | I rear: | I front: |
|------------------|-------|-------|-------|-------|-------|-------|-------|---------|----------|
| 9 | 24.99 | 30.80 | 11.08 | 8.31 | 16.10 | 18.60 | 16.33 | 20.47 | 22.20 |
| 15 | 33.32 | 39.10 | 19.39 | 16.62 | 24.00 | 26.50 | 24.66 | 28.80 | 30.53 |
| 25 | 47.04 | 53.09 | 33,24 | 30.47 | 38.14 | 40.90 | 38.38 | 42.52 | 44.27 |
| 37 | 63.50 | 59.40 | 49,86 | 47.09 | 54.60 | 57.10 | 54.84 | 59.08 | 60.73 |

Order-Information

| Identifier: | No. of contacts: | Contact Plating: | Shell: | Mounting: | Insulator Colour: |
|------------------|--|--|---|---------------------------|--|
| BU | # | # | # | FG | # |
| D-Sub Female IDC | 9: 9 pin 15: 15 pin 25: 25 pin 37: 37 pin | S: Selective * G: Gold Flash A: 5 μ" Gold B: 10 μ" Gold C: 15 μ" Gold D: 30 μ" Gold | K: Metal Shell with Plastic Strain Relief * L: Plastic Shell w/o Strain Relief M: Plastic Shell with Metal Strain Relief N: Plastic Shell with Plastic Strain Relief | FG: Thread Insert UNC4-40 | empty: black * GR: grey BL: blue |

* = standard