

# D-Sub Solder Cup

Male Connectors, tin plated



RoHS  
COMPLIANT

### Specification:

Current rating: 1 A  
 Insulation resistance: 500 MΩ min.  
 Contact resistance: 30 mΩ max.  
 Dielectric voltage: 500 V AC  
 Operation temperature: -40 °C to +70 °C

### MATERIAL:

Insulator: PBT white UL94V-0  
 Shell: Steel  
 Pins: Brass

### FINISH:

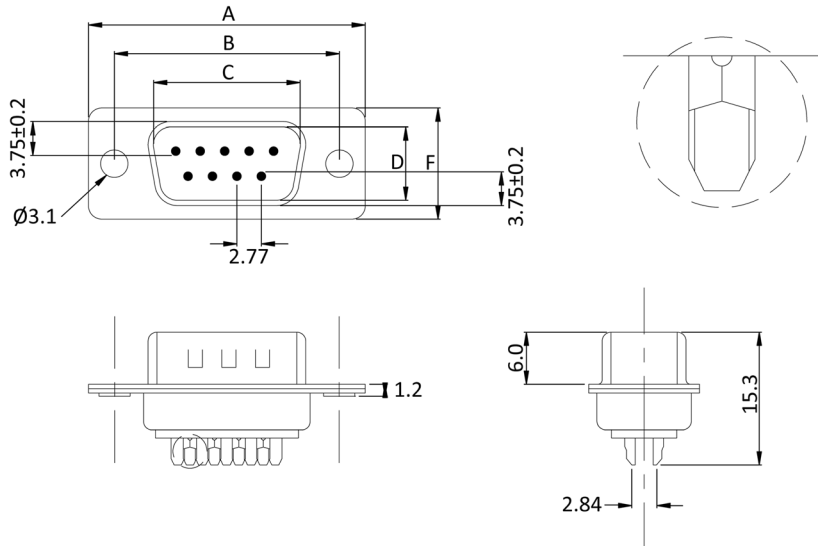
Contacts: Gold Flash  
 Front shell: Nickel plated  
 Rear shell: Tin plated

### HANDLING:

Processing: Hand solering  
 Packing: Tray

### TOLERANCE:

.X ± 0.20  
 .XX ± 0.10



### Dimensions

No. of contacts:	A:	B:	C:	D:	F:
9	30.85	25.00	16.92	8.30	12.55
15	39.25	33.35	25.25	8.30	12.55
19	44.80	38.86	30.60	8.30	12.55
23	50.30	44.30	35.90	8.30	12.55
25	53.10	47.04	38.96	8.30	12.55
37	69.40	63.50	55.42	8.30	12.55
50	67.08	61.05	52.81	11.07	15.37

### Order-Information

Identifier:	No. of contacts:	Version:		Shell:
ST	#	LK	/	V
D-Sub Male	9: 9 pin 15: 15 pin 19: 19 pin 23: 23 pin 25: 25 pin 37: 37 pin 50: 50 pin	LK: Solder Cup		V: Tin plated