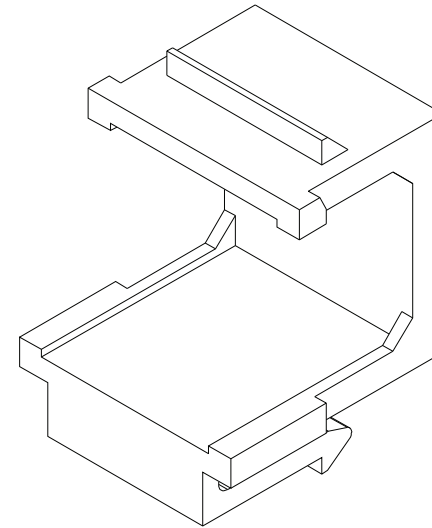
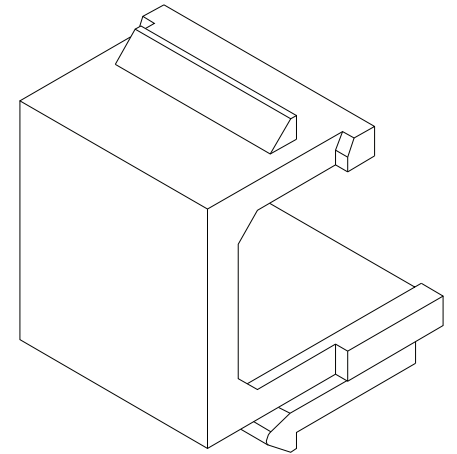
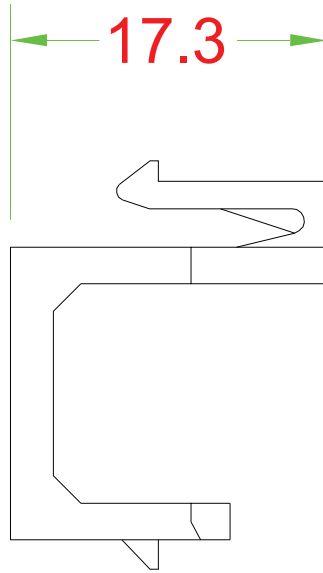
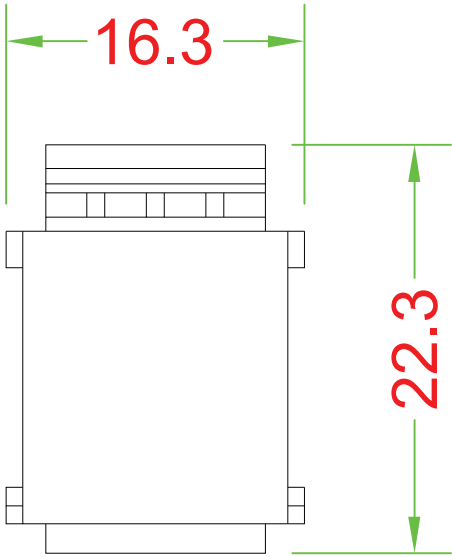
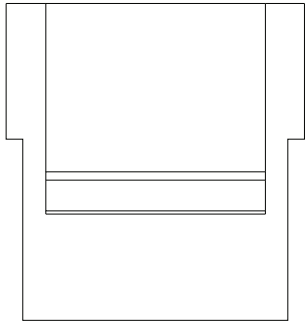


KEYSTONE INSERT



Materials:

Body : Fireproof ABS UL-94V0

Operation Temperature : -40 °C ~ +70 °C

DRAW NO:		ITEM NO:	86314
	APPR	CUSTOMER:	
UNIT: m/m	DESIGN	DATE:	
SCALE:	Ref. NO:	TOLERANCE:	· ± 1 · X ± 0.2 · XX ± 0.15

