

## 1.Scope

This specification is applied to Magnetic Buzzer(Self-Drive Type)

The product describe below are used for buzzer in various alarm systems.

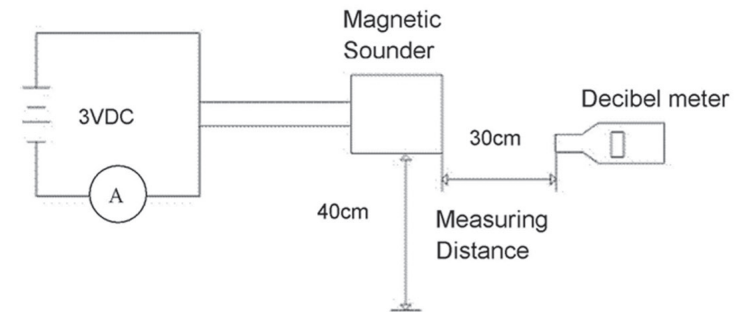
## 2.Basic Condition

- 2.1 Rated Voltage:3VDC
- 2.2 Operating Voltage:2~4VDC
- 2.3 Operating Temperature Range:-20°C ~+70°C
- 2.4 Storage Temperature Range:-30°C~+85°C

## 3.Electrical Characteristics

- 3.1 Sound Press Level:  $\geq 80$ dB at 30cm / 3VDC
- 3.2 Consumption Current:  $\leq 30$ mA at 3VDC
- 3.3 Resonate Frequency:400Hz $\pm$ 100Hz
- 3.4 Tone Nature: Continuous Sound
- 3.5 Material: ABS

## 4.Measuring Method



## 5.Sound Press Level & Consumption Current Curve

