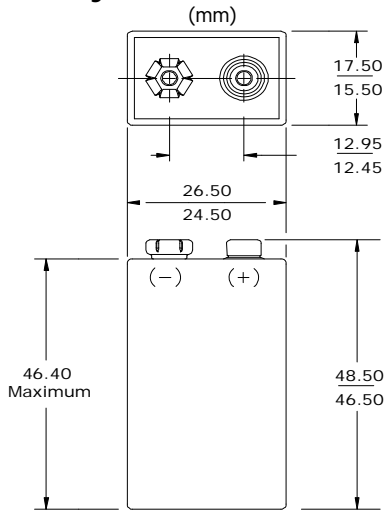


**9V**

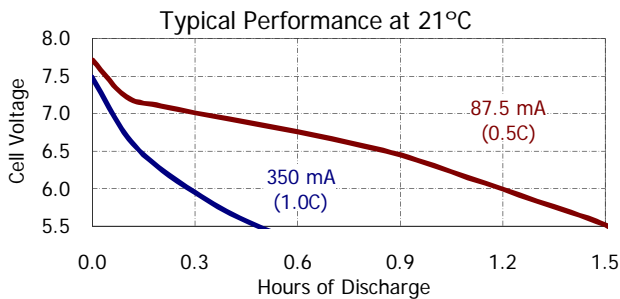
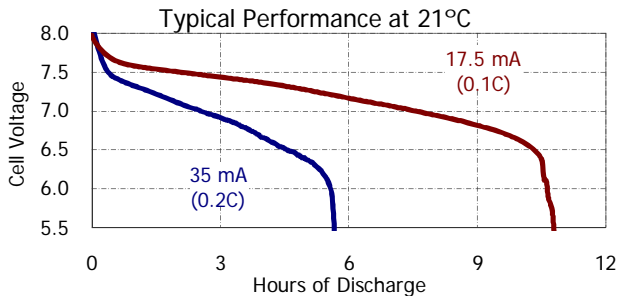
Rechargeable 9V-175 (HR22)



Industry Standard Dimensions



Typical Discharge Characteristics



Specifications

<b>Classification:</b>	ACCU Rechargeable
<b>Chemical System:</b>	Nickel-Metal Hydride (NiMH)
<b>Designation:</b>	IEC-HR22
<b>Nominal Voltage:</b>	8.4 Volts
<b>Rated Capacity:</b>	175 mAh (to 1.0 volts) Based on 35 mA (0.2C) discharge rate
<b>Typical Weight:</b>	41.0 grams
<b>Typical Volume:</b>	21.7 cubic centimeters
<b>Jacket:</b>	Plastic

Internal Resistance:

The internal resistance of the cell varies with state of charge, as follows:

<u>Cell Charged</u>	<u>Cell 1/2 Discharged</u>
1000 milliohms	1500 milliohms
(tolerance of ±20% applies to above values)	

AC Impedance (No Load):

The impedance of the charged cell varies with frequency, as follows:

<u>Frequency (Hz)</u>	<u>Impedance (milliohms)</u> (Charged Cell)
1000	950

Above values based on AC current set at 1.0 ampere.  
 Value tolerances are ±20%.

Operating and Storage Temperatures:

To maintain maximum performance, observe the following general guidelines regarding environmental conditions.

Charge:	0°C to 40°C
Discharge:	0°C to 50°C
Storage:	-20°C to 30°C
Humidity:	65±20%

Operating at extreme temperatures, will significantly impact battery cycle life.

**Important Notice**

This datasheet contains information specific to battery chargers manufactured at the time of its publication.  
 ©Energizer Holdings, Inc. - Contents herein do not constitute a warranty