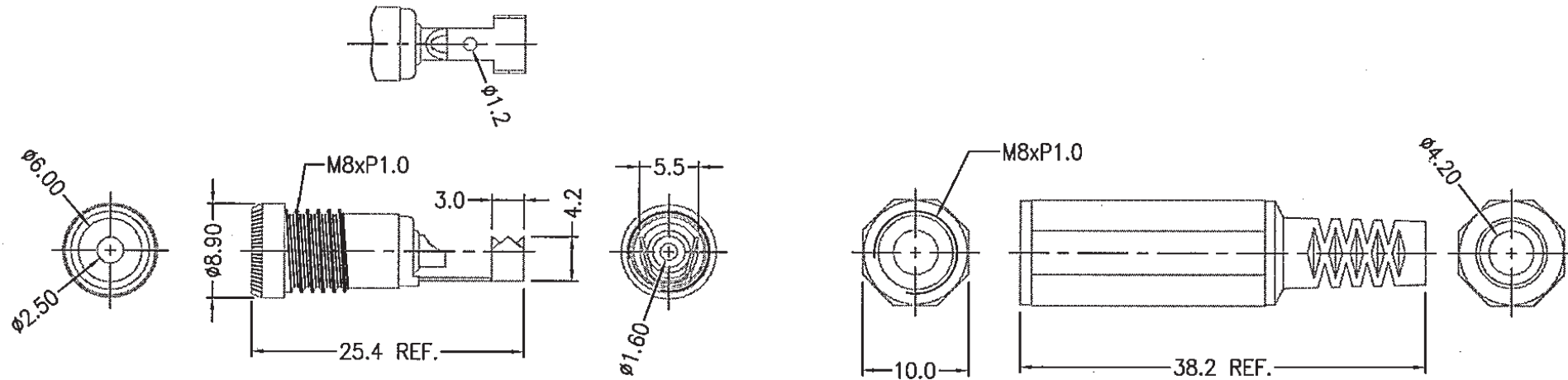


DCK25

DC Male plug 2.5 mm

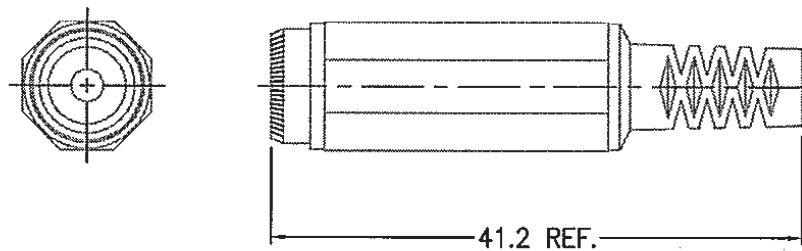
date/contact: 100403/KEM
finishing: SNI
last update: 120511/KEM
drawing: 93769
scale / unit: - / mm
tolerance: .X±0.2 / .XX±0.12
page: 1/1

EVE GmbH
Hollefeldstr. 16
48282 Emsdetten
Tel.: +49 (0) 25 72 / 93 51 - 0
Fax: +49 (0) 25 72 / 93 51 - 24
www.eve.de • info@eve.de



DC MALE PLUG

COVER



ASSEMBLY

Electrical:

1. Dielectric Strength: AC 125~1000V at 1 minute.
2. Insulation Resistance: DC 500V/ 100MΩ.
3. Contact resistance: 3mΩ~20mΩ.
4. Rated voltage/current: 12Vdc/5A

SPECIFICATION:

1. METAL: BRONZE, NICKEL PLATED
2. INSULATION: ABS
3. COVER: PE, BLACK COLOR