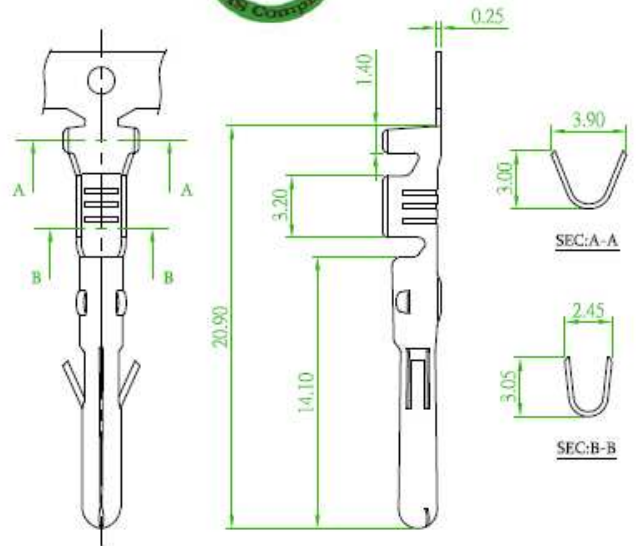
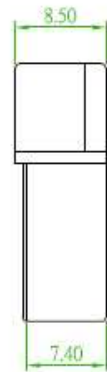
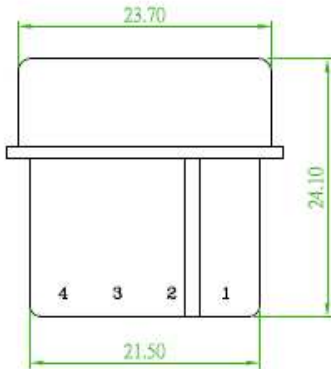
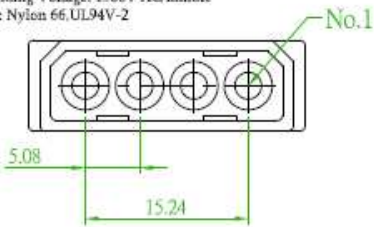


SPECIFICATIONS

Current Rating: 5A AC,DC
 Voltage Rating: 250V AC,DC
 Temperature Range: -25°C to +85°C
 Contact Resistance: 10mΩ Max
 Insulation Resistance: 1000MΩ Min
 Withstanding Voltage: 1500V AC/minute
 Material: Nylon 66,UL94V-2



AREA	REV.	DESCRIPTION	DATE

品名 TITLE	5.08mm MALE HOUSING + MALE TERMINAL		
品號 PART NO.	5082HF-04TM-L		日期 DATE
圖號 DRAWING NO.	240201	版本 REV.	A
客戶品號 CUSTOMER P/N		比例 SCALE	FREE
公差 TOLERANCE	.X ±0.35 XX ±0.25	單位 UNIT	mm
		繪圖 DRAWN	04/04/2006
		核對 CHECKED	
		核准 APPROVED	