

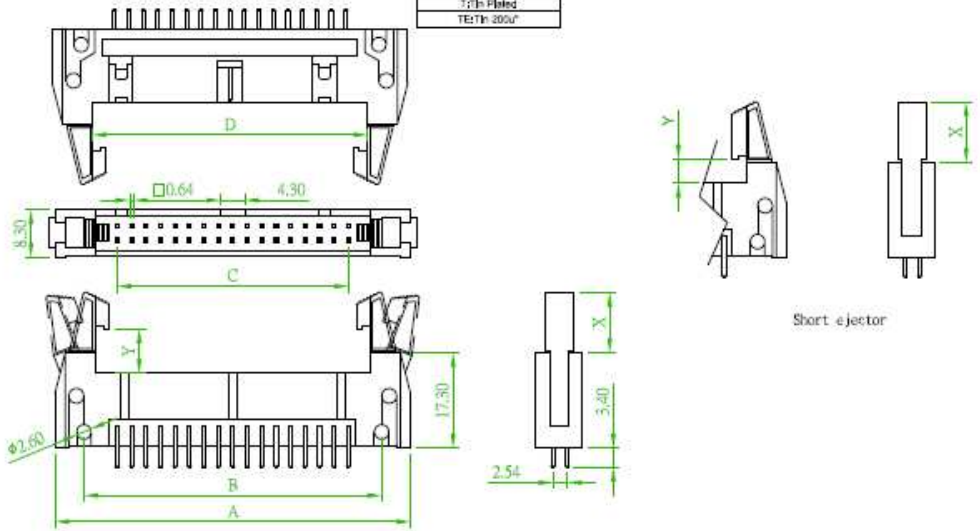
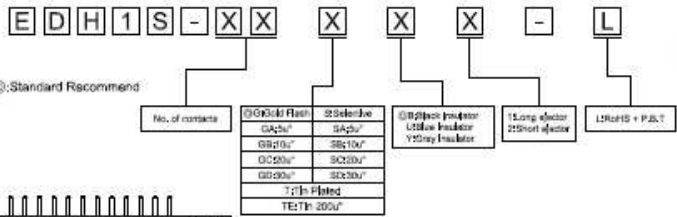
SPECIFICATION

Current Rate:3 AMP
 Insulation Resistance:5000M Ω Min.
 Contact Resistance:10m Ω Max.
 Dielectric Voltage:100V AC for one minute
 Operation Temperature:-40°C to +105 °C

MATERIAL

Insulator:Polyester,UL 94V-0
 ©Standard:P.B.T
 Contact Pin:Brass

ORDER INFORMATION



Long ejector

Short ejector

TYPE	LONG	SHORT
X	11.50	10.50
Y	4.20	4.10

	10	12	14	16	20	24	26	30	34	40	50	60	64
A	32.00	34.54	37.08	39.62	44.70	49.78	52.32	57.40	62.48	70.10	82.80	95.80	100.9
B	21.84	23.38	24.92	26.46	29.51	32.57	34.11	37.16	39.72	42.77	50.34	57.91	60.47
C	10.16	12.20	13.24	14.28	17.33	19.37	20.41	23.46	25.50	28.55	34.66	40.77	42.81
D	17.96	20.50	22.04	24.58	30.69	35.74	38.28	43.68	48.44	56.06	68.76	82.00	87.10

品名 TITLE	EJECTOR HEADER 2,54mm STRAIGHT TYPE				
品號 PART NO.	DH1S-XX-L			日期 DATE	11/08/2005
圖號 DRAWING NO.	EDH1S-XX-L	版本 REV.	B	繪圖 DRAWN	
客戶品號 CUSTOMER P/N		比例 SCALE	FREE	核對 CHECKED	
公差 TOLERANCE	X ±0.35 XX ±0.25	單位 UNIT	mm	核准 APPROVED	

AREA	REV.	DESCRIPTION	DATE