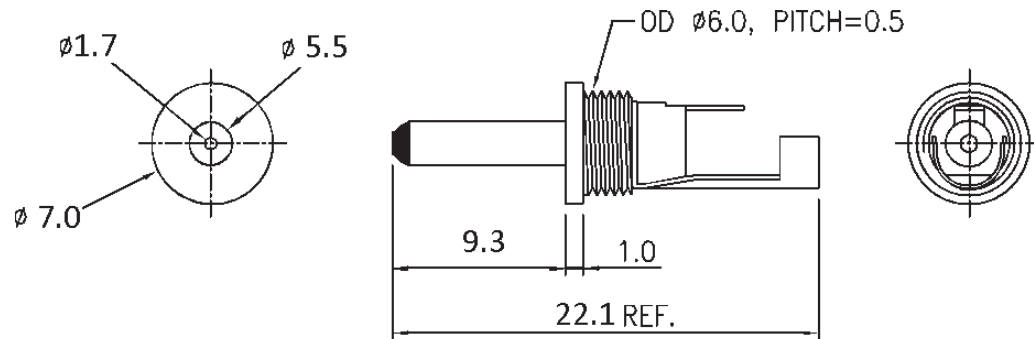


DC07K

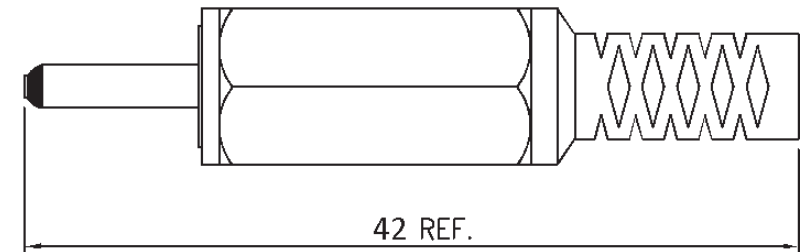
DC-Stecker 1,7x5.5mm Knickschutz
DC-Plug 1.7x5.5mm strain relief

date/contact: 300911/KEM
finishing: NBR
last update: -
drawing: 93769
scale / unit: - / mm
tolerance: -
page: 1/1

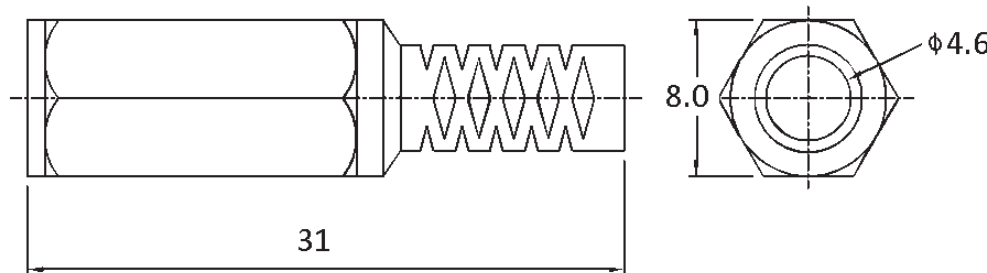
EVE GmbH
Hollefeldstr. 16
48282 Emsdetten
Tel.: +49 (0) 25 72 / 93 51 - 0
Fax: +49 (0) 25 72 / 93 51 - 24
www.eve.de • info@eve.de



DC PLUG



ASSEMBLY



HANDLE

SPECIFICATION:

1. Metal Body: Brass, Nickel-plated
2. Insulator: Delrin, Yellow
3. Handle: PE, Black
4. Rated Voltage/Current: 3.15V DC/1.0A
5. Storage/Operating Temperature: $-10^{\circ}\text{C} \sim 80^{\circ}\text{C}$

TOLERANCES ARE
FRACTIONS DECIMALS ANGLES

.x ± 0.2 [0.008]
.xx ± 0.12 [0.005]