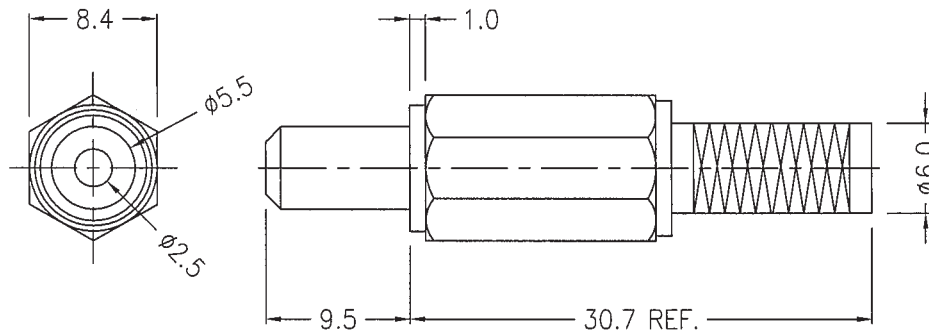
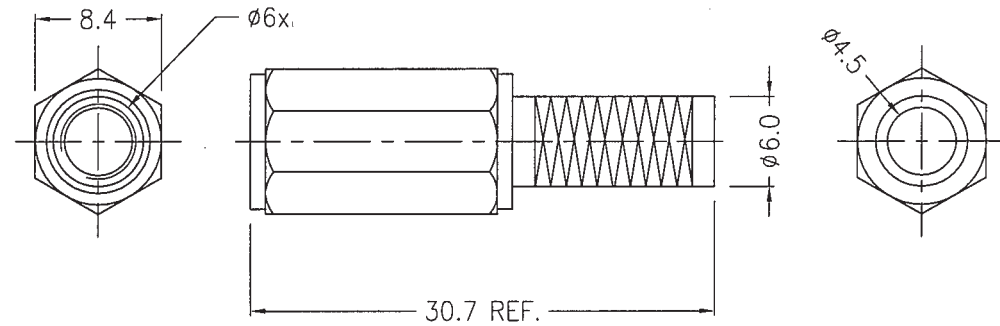
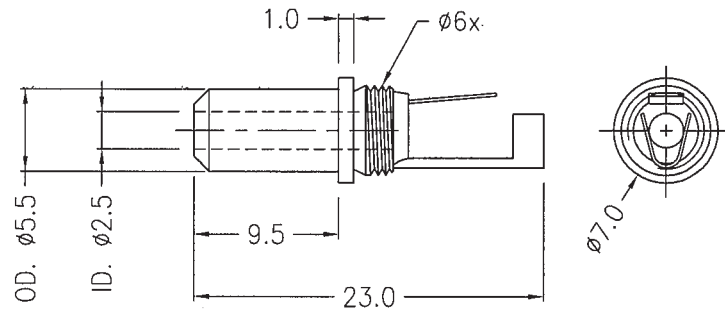


# DC02K

DC-Stecker 2.5x5.5x9mm

date/contact: 160204/KEM  
finishing: NBR  
last update: 271010/KEM  
drawing: 93779  
scale / unit: - / mm  
tolerance: -  
page: 1/1

EVE GmbH  
Hollefeldstr. 16  
48282 Emsdetten  
Tel.: +49 (0) 25 72 / 93 51 - 0  
Fax: +49 (0) 25 72 / 93 51 - 24  
www.eve.de • info@eve.de



TOLERANCES ARE  
FRACTIONS DECIMALS ANGLES

.x  $\pm 0.2$  [0.008]  
.xx  $\pm 0.12$  [0.005]

ASSEMBLY

MATERIAL: DC MATEL CONTACT – BRASS, NICKEL-PLATED.  
PLASTIC HANDLE – PE, BLACK.  
INSULATOR – PE.