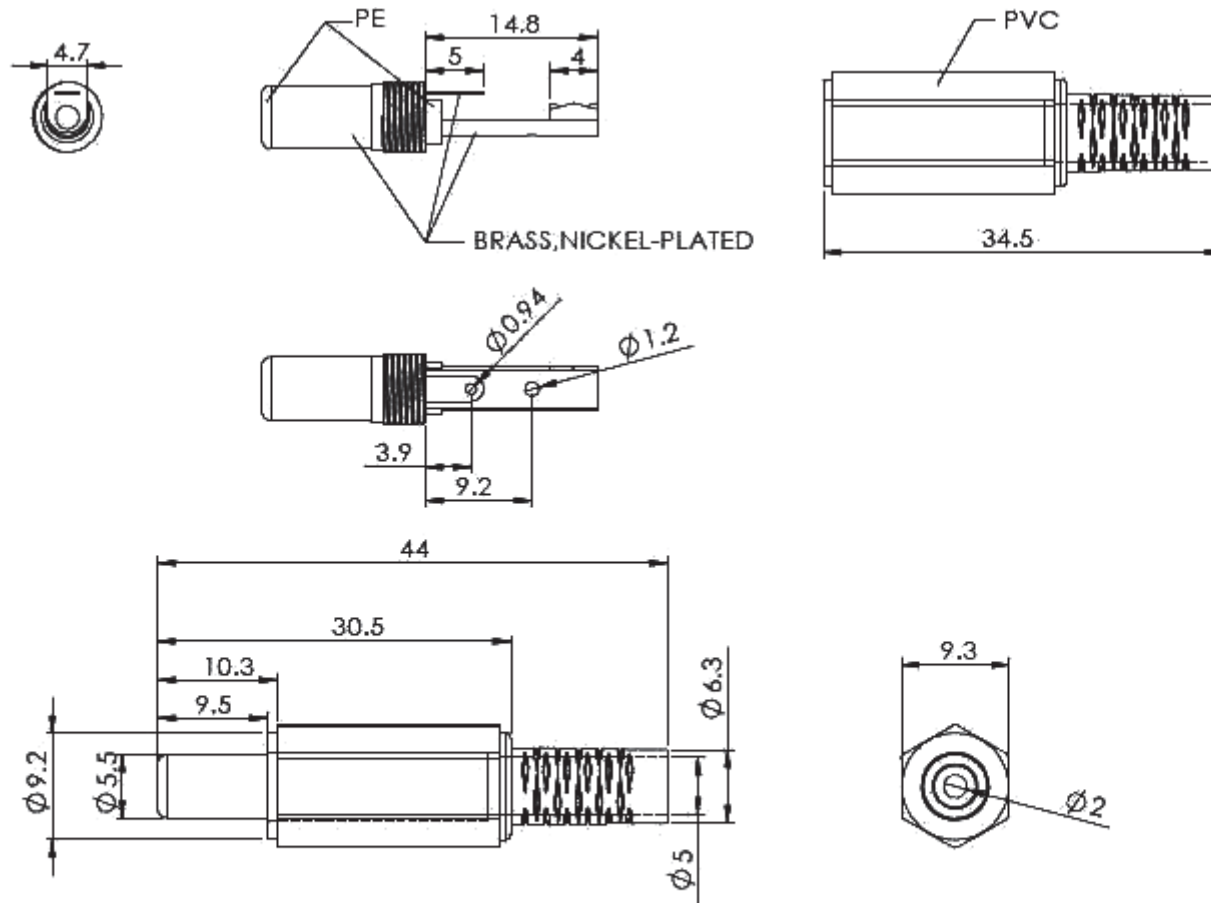


DC01K

2.1 x 5.5 x 9.0mm DC PLUG WITH C.R

date/contact: 140605/KEM
last update: 080210/KEM
drawing: 93769
scale: -
unit: mm
tolerance: ± 0.2
page: 1/1

EVE GmbH
Hollefeldstr. 16
48282 Emsdetten
Tel.: +49 (0) 25 72 / 93 51 - 0
Fax: +49 (0) 25 72 / 93 51 - 24
www.eve.de • info@eve.de



Rating: 0.5A 12V
Solder temperature: 125 degree C

MATERIAL : DC METAL CONTACT - BRASS NICKEL-PLATED.
PLASTIC HANDLE - PE, BLACK.
INSULATOR- PE.