

DC Einbaubuchsen DC Sockets

DC EINBAUBUCHSEN GEWINKELT PRINTMONTAGE
DC SOCKETS PCB MOUNT ANGLED



Revision: 00

SPECIFICATION

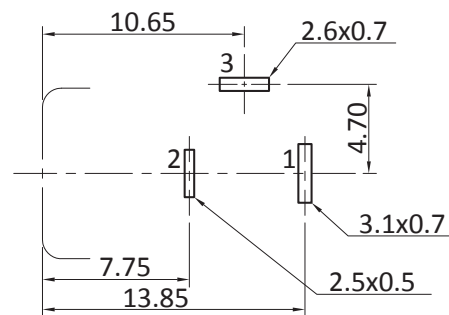
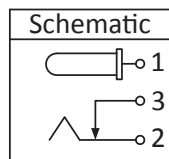
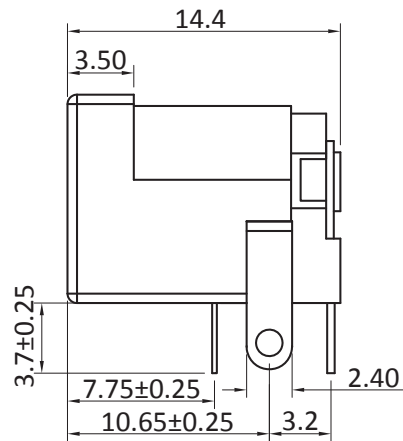
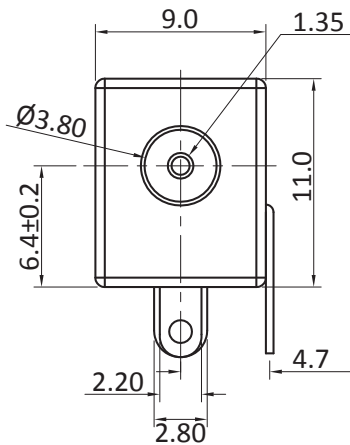
Current Rate:	2 AMP DC / 1 AMP AC
Voltage Rate:	12 V DC
Insulation Resistance:	100 MΩ Min.
Contact Resistance:	30 mΩ Max.
Dielectric Voltage:	500 V AC for one minute
Insertion Force:	0.3~3.0 kg
Extraction Force:	0.3~3.0 kg
Durability (Life Test):	4000 cycles

MATERIAL

Housing:	PBT UL94V-0, black
Barrel:	Brass, nickel plated
Terminal:	Copper alloy, tin plated

TOLERANCE

.X	±0.38
.XX	±0.25



PCB Layout (Bottom view)

Order Information

Item

DCJ9

DC Socket 1.35mm angled
PCB mount