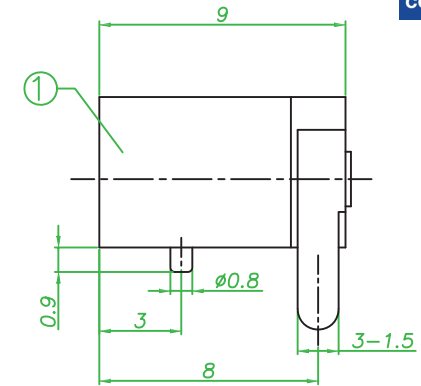
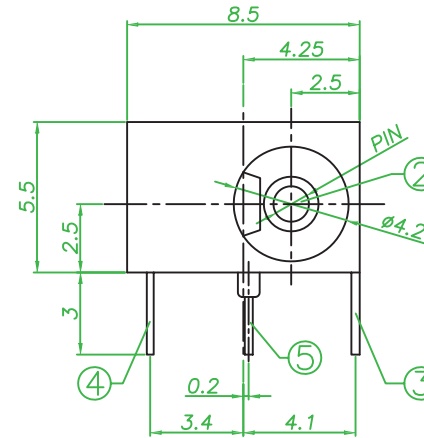
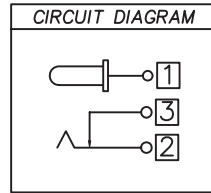
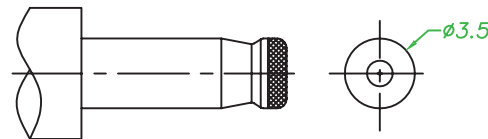


SPECIFICATION

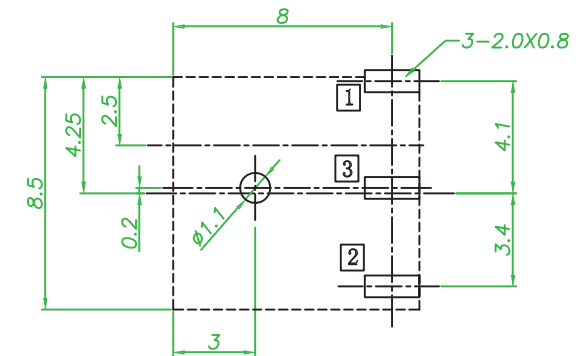
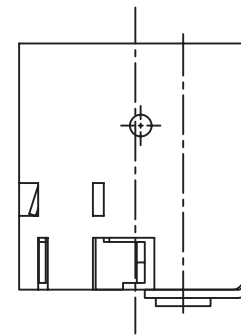
1. Rating : DC 20V 2A;
2. Contact resistance: $\leq 50m\Omega$;
3. Insulation resistance: $\geq 100M\Omega$ (DC250V);
4. Withstand voltage: 500VAC ;
5. Insertion and extraction force: 3-30N;
6. life test: 5,000 cycles.



P. C. B Layout (Copper-sided view)



DC MATE PLUG



TOLERANCE
 .X ± 0.35
 .XX ± 0.25

NO.	DESCRIPTION	QTY	MATERIAL	PLATING
⑤	Shunt terminal	③	1 Brass t=0.3	Ag/Sn-Plating
④	Tip spring	②	1 SUS301 t=0.25	Ag/Sn-Plating
③	Center pin terminal	①	1 Brass t=0.3	Ag/Sn-Plating
②	Center pin	1	Brass	Ni-Plating
①	Housing	1	PA66/PBT	

Order Information

Series	Pin (Dim A)
DC8J	#
DC Power Jack	10 : $\varnothing 1.0$ 13 : $\varnothing 1.3$