

SPECIFICATION

Current Rate: 16 AMP
Voltage Rate: 60 V DC Max.
Contact Resistance: 0.8 mΩ Max.
Operation Temperature: -25 °C to +85 °C



MATERIAL

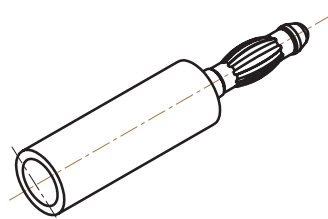
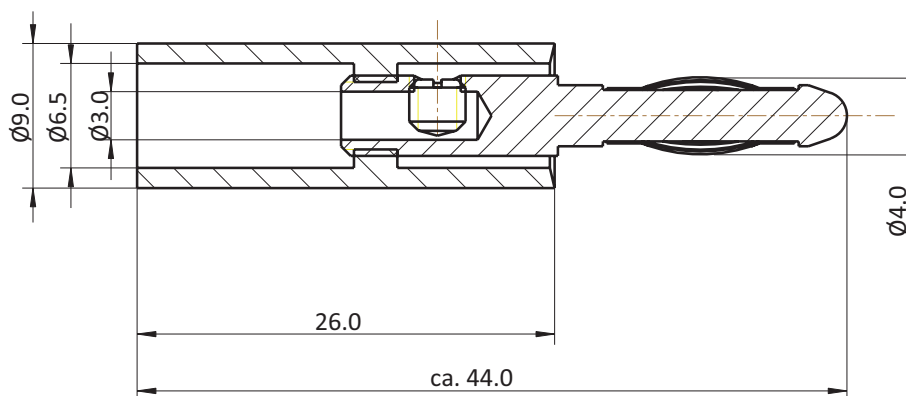
Housing: ABS
Pin: CuZn39Pb3-F51
Spring Cage: CuBe
Screw: CuZn39Pb3-F51

FINISH

Pin: Glossy nickel plated 3-5 μm
Spring Cage: Glossy nickel plated 3-5 μm
Screw: Blank

HANDLING

Processing: Screw connection
Packing: Bulk



Order Information

Series

BS4

Housing Colour

#

Banana Plug with spring cage 4 mm

* = Standard

- SW : Black RAL 9005 *
- RT : Red RAL 3003 *
- BL : Blue RAL 5017 *
- GE : Yellow RAL 1021
- GN : Green RAL 6029
- WS : White RAL 9010
- GR : Grey RAL 7040
- BR : Brown RAL 8024
- OR : Orange RAL 2011