

**SPECIFICATION**

Current Rate: 16 AMP  
Voltage Rate: 60 V DC Max.  
Contact Resistance: 5 mΩ Max.  
Operation Temperature: -25 °C to +85 °C

**MATERIAL**

Housing: ABS  
Contact: CuZn39Pb3-F51  
Screw: CuZn39Pb3-F51

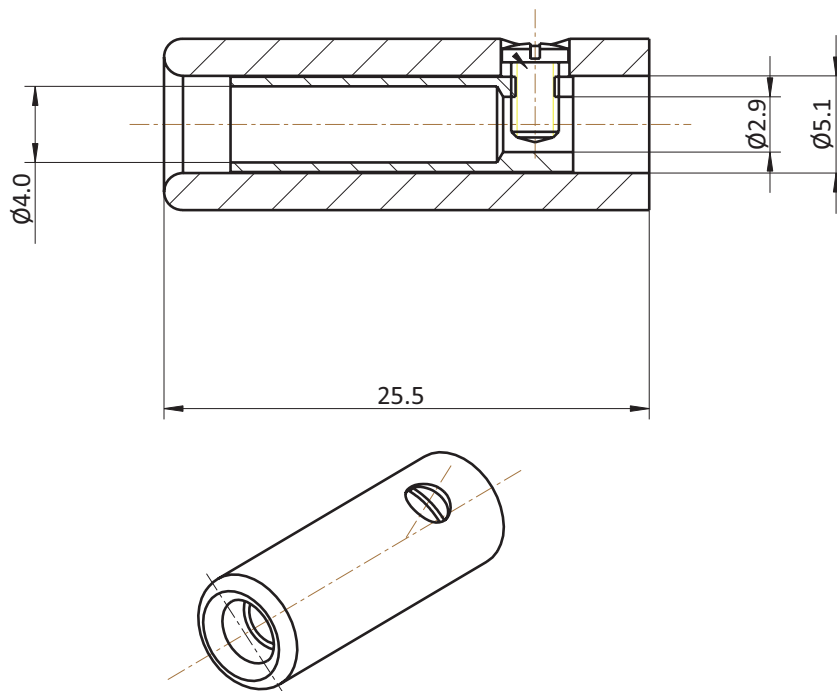
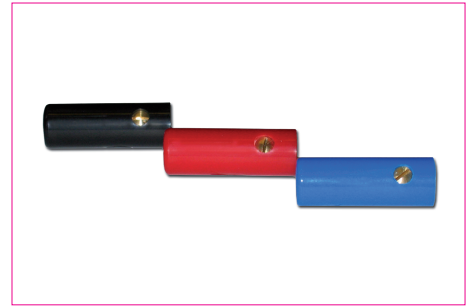
**FINISH**

Contact: Blank  
Screw: Blank

**HANDLING**

Processing: Screw connection  
Packing: Bulk

**RoHS**  
COMPLIANT



**Order Information**

Series

BAK4

Housing Colour

#

Banana Jack 4 mm

\* = Standard

SW : Black RAL 9005 \*

RT : Red RAL 3003 \*

BL : Blue RAL 5017 \*

GE : Yellow RAL 1021

GN : Green RAL 6029

WS : White RAL 9010

GR : Grey RAL 7040

BR : Brown RAL 8024

OR : Orange RAL 2011