

**SPECIFICATION**

Current Rate: 16 AMP  
Voltage Rate: 60 V DC Max.  
Contact Resistance: 5 mΩ Max.  
Operation Temperature: -25 °C to +85 °C

**MATERIAL**

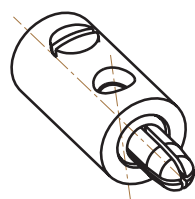
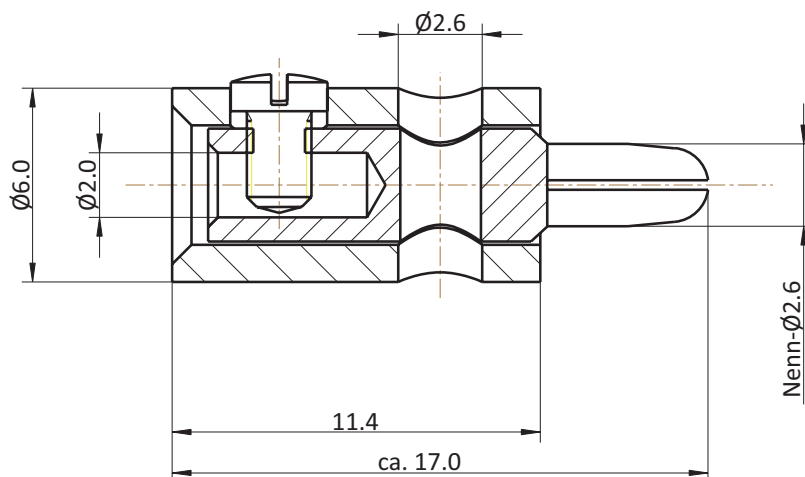
Housing: PS  
Contact: CuZn39Pb3-F51  
Screw: CuZn39Pb3-F51

**FINISH**

Contact: Glossy nickel plated 3-5 μm  
Screw: Glossy nickel plated 3-5 μm

**HANDLING**

Processing: Screw connection  
Packing: Bulk



**Order Information**

Series

HOS

Housing Colour

#

HO Plug 2.6 mm

\* = Standard

- SW : Black RAL 9005 \*
- RT : Red RAL 3003 \*
- BL : Blue RAL 5017 \*
- GE : Yellow RAL 1021 \*
- GN : Green RAL 6029 \*
- WS : White RAL 9010 \*
- GR : Grey RAL 7040 \*
- BR : Brown RAL 8024 \*
- OR : Orange RAL 2011 \*